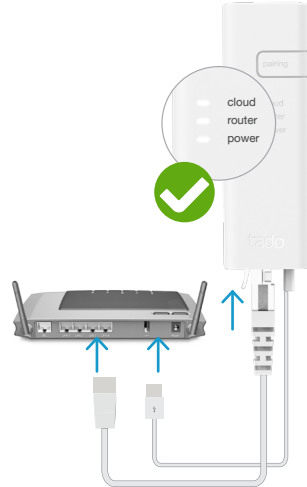


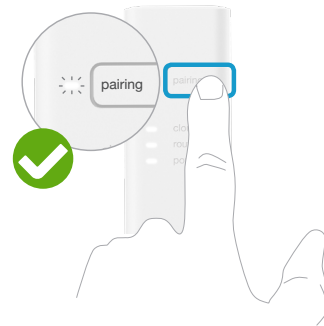
## Guide for Professional Installers Smart Radiator Thermostat

If you are not a professional installer and want to install tado° yourself, get step-by-step instructions at [tado.com/start](https://tado.com/start)

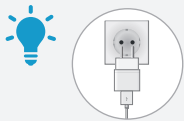
### Connect Internet Bridge to Router



Connect Ethernet and USB cable



Press pairing button to activate pairing mode  
To allow other devices to connect to the Internet Bridge



no free USB connector available

### 1 Pairing



Remove the battery strip to activate the device



Press the button for 3s to activate pairing



Pairing (up to 2 min)

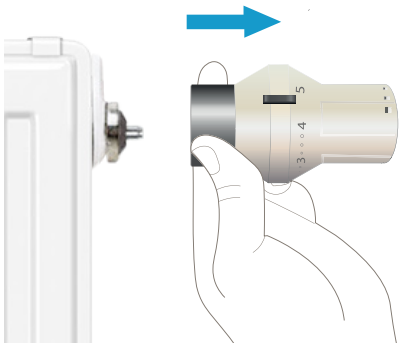


Ready for mounting

#### Pairing Error

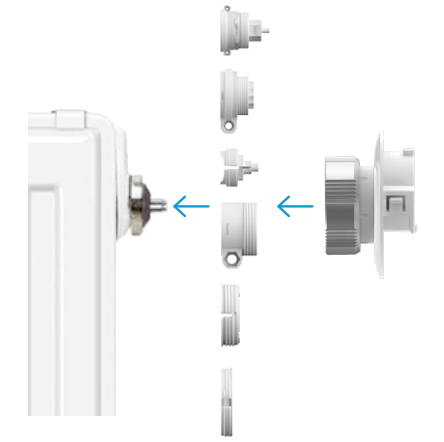
- Restart device by removing and putting back the batteries
- Restart pairing and keep 3 m distance between the Internet Bridge and device

**2** Prepare Mounting

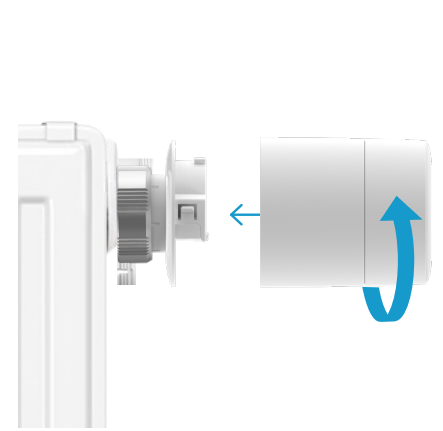
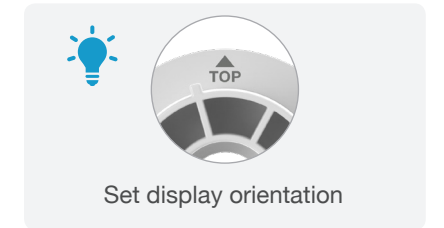


Unmount the existing thermostatic valve head

**3** Mounting



Attach the thermostat mounting bracket (an adapter may be required)



Mount the Smart Radiator Thermostat head



Calibrating (up to 1 min)

Calibration successful

**Calibration Errors**

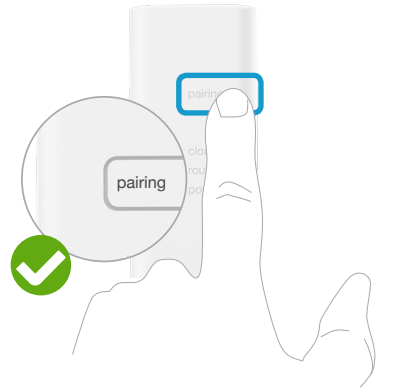
- Remount thermostat head
- Check adapter mounting

**4** Document Locations of Installed Devices



Place sticker into the setup card and note down the device's location

Deactivate Pairing After the Last Installation



Press pairing button on Internet Bridge to deactivate pairing mode