



GO TRAX

ST PRO 100
STUNT SCOOTER

USER MANUAL

SAFETY WARNINGS →

Scooters, like all wheeled vehicles, will provide safe, enjoyable transportation and recreation when used and maintained properly. Like bicycling, skateboarding, and in-line skating, riding a scooter can be dangerous even under the best of circumstances. We do not want you to get hurt. Please follow these safety rules:

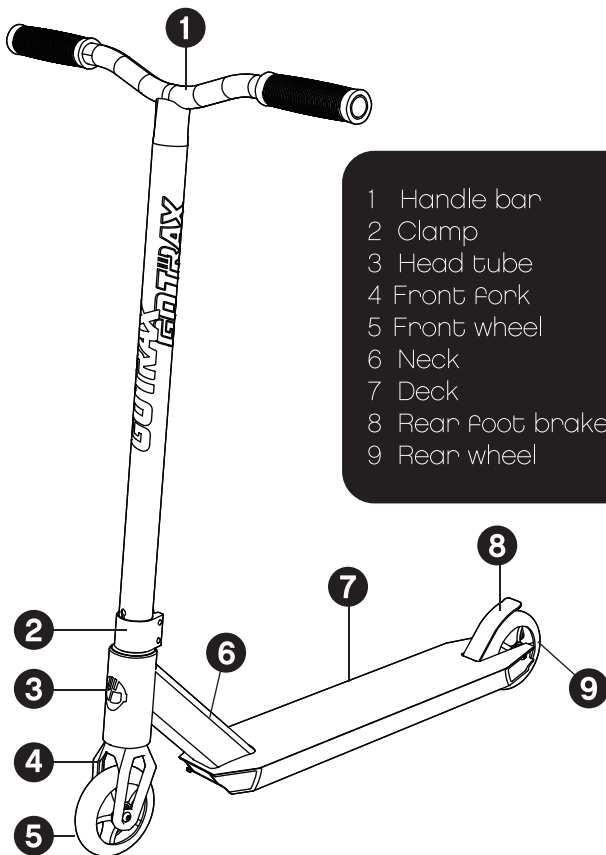


GENERAL WARNINGS:

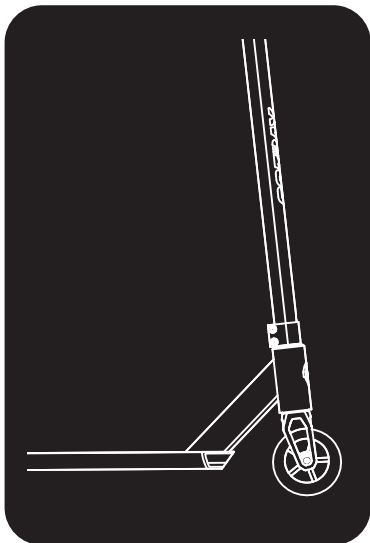
- Always wear safety equipment such as a helmet, knee pads, and elbow pads. Always wear a helmet when riding your scooter and keep the chinstrap securely buckled.
- Always wear proper attire such as shoes. Never ride barefooted or in sandals, and keep shoelaces tied and out of the way of the wheels.
- Ride on smooth, paved surfaces, away from motor vehicles.
- Avoid sharp bumps, drainage grates, and sudden surface changes.
- Avoid streets and surfaces with water, sand, gravel, and other debris.
- Wet weather impairs traction, braking, and visibility. The risk of accident is dramatically increased in wet conditions.
- Do not ride at dusk, after dark, or at times of poor visibility.
- Brake will get hot from continuous use. Do not touch after braking.
- Avoid excessive speed associated with downhill rides.
- Obey all local tri-scootering laws and regulations.
- Do not exceed 220lbs (100kgs) total weight on the scooter.
- Do not allow children under age of eight (8) to use the scooter. All children and preteens should ride with adult supervision at all times.
- Adults must assist children in the initial adjustment procedures to unfold scooter, adjust handlebar height, and finally to fold scooter.

FAILURE TO USE COMMON SENSE AND HEED THE ABOVE WARNINGS FURTHER INCREASES RISK OF SERIOUS INJURY. USE AT YOUR OWN RISK AND WITH APPROPRIATE AND SERIOUS ATTENTION TO SAFE OPERATION.

SCOOTER OVERVIEW →



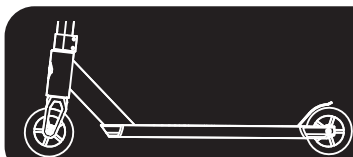
ASSEMBLY INSTRUCTIONS →



TO INSERT THE T-BAR

loosen the clamp bolts and slide it upward. With a clock-wise twisting motion, push and thread the T-bar onto the Fork until it bottoms out on the Fork headset lock nut.

With the Front wheel pointed straight ahead and the handlebars square to the Front wheel, tighten the clamp as shown. Tighten securely.



HOW TO BRAKE

place your Foot onto the rear brake, apply pressure gradually.



Brake will get hot From continuous use.
Do not touch after braking.

SAFETY REMINDERS →

- Check and secure all fasteners before every ride. Make sure the steering tube clamps, steering tube extension quick release, and handlebars spring buttons are locked properly in place before riding.
- Always wear proper protective equipment such as an approved safety helmet. Elbow pads and kneepads are recommended.
- Always wear shoes, never ride barefooted or in sandals, and keep shoelaces tied and out of the way of the wheels.
- Replace worn or broken parts immediately.
- You will see people on TV and maybe even people you know doing tricks and stunts. These are people who have been practicing on the scooters for a very long time. Don't try something until you are ready.

LIMITED WARRANTY →

The manufacturer warrants this product to be free of manufacturing defects for a period of 6 months from the date of purchase. This limited warranty does not cover normal wear and tear, tires, tubes, or cables, or any damages, failure or loss caused by improper assembly, maintenance, or storage.

This Limited Warranty will be void if the product is ever

- used in a manner other than recreation
- modified in any way
- rented

The manufacturer is not liable for incidental or consequential loss or damage due directly or indirectly to the use of this product. Urban Riders does not offer an extended warranty. If you have purchased an extended warranty, it must be honored by the store at which it was purchased.