



HOVERFLY

USER MANUAL

In order to continue serving our customers and providing the best products, our product information including our user manuals may receive updates from time to time. Please check our website for the latest user manuals and product materials.

KH1

Kick Scooter

Thank you for your purchase of the KH1 Kick Scooter.

Before operating this scooter, please read all instructions. This manual will walk you through the functions, usage, and proper care of your HOVERFLY KH1 Kick Scooter. If you have any questions or need assistance with your purchase or our customer service at **support.us@hoverfly.com**

Happy Riding!

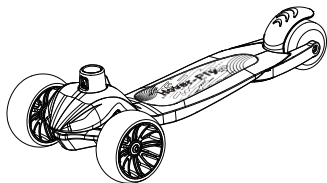
-The HOVERFLY Team

Table of Contents

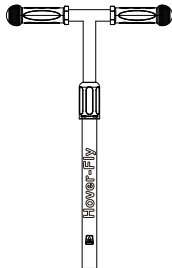
Box Contents.....	5
Product Overview.....	6
Assembling the Scooter.....	7
Adjusting the Stem.....	8
Using the Scooter.....	9
Practicing Guidelines.....	10
Safety Information.....	11
Warnings.....	12
Warranty Information.....	13
Specifications.....	15



Box Contents



Body x 1



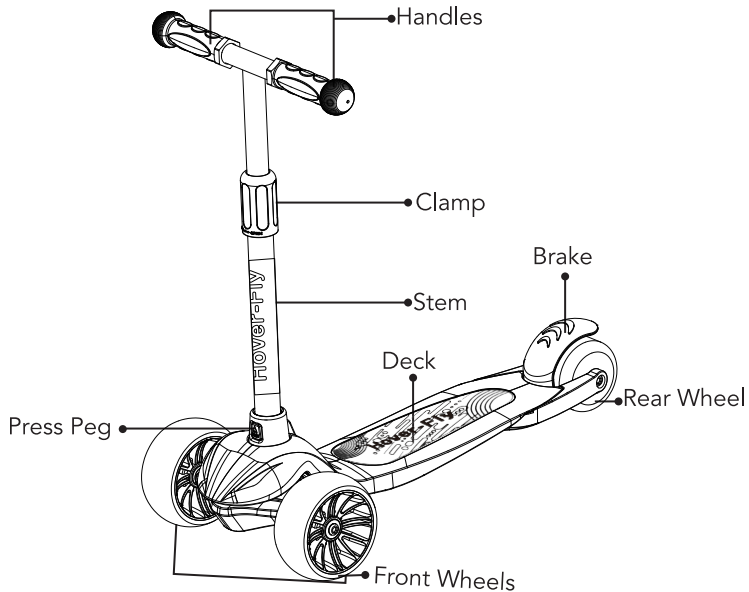
Stem x 1



User Manual x 1



Product Overview

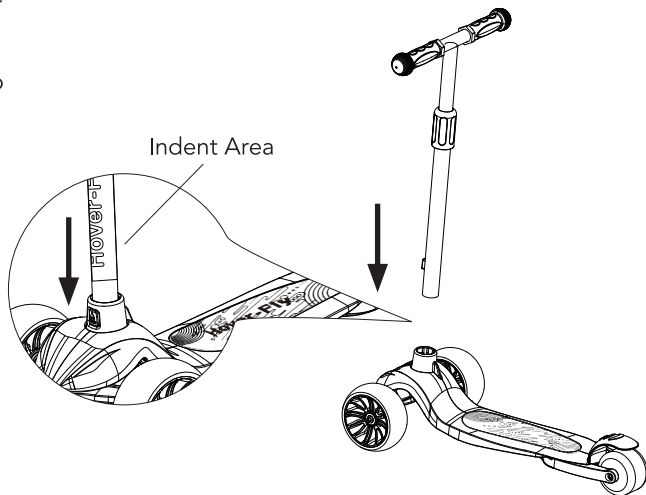




Assembling the Scooter

Insert the stem into the body of the scooter while pressing the metal peg in. Make sure the peg is on the left side and the indent lines up with the opening between the two front wheels. The peg should pop into place.

Note: Check alignment before inserting the stem.

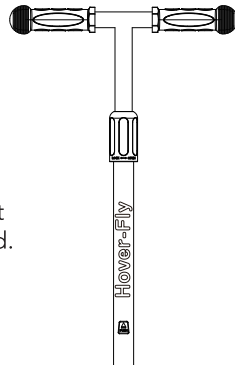




Adjusting the Stem

Open the clamp, press the metal peg in, and raise or lower the stem to one of the three height levels. The peg should pop into place. Close the clamp to secure the stem.

Note: In order for the scooter to be safe to ride (1) the metal peg must pop into one of the designated holes and (2) the clamp must be closed.





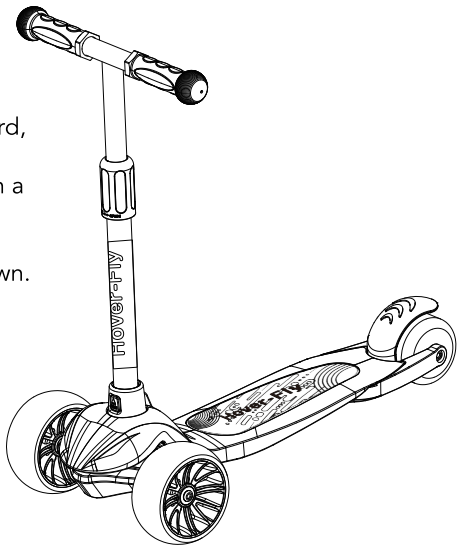
Using the Scooter

- **An ASTM F1492 approved helmet and protective gear must be worn by ALL riders at ALL times regardless of age.**
 - **Do not allow user over 110 lbs (50 kg) to ride the scooter.**
 - **Supervise children while the scooter is being used.**
 - **Inform your child of instructions and safety guidelines before allowing them to ride.**
-
1. Hold both handles.
 2. Put one foot on the deck towards the front.
 3. Use your other foot to push off the ground and move the scooter forward.
 4. Put both feet on the scooter as desired.
 5. To stop, step on the brake with the nearest foot.



Practicing Guidelines

- Wear casual clothing and shoes to maintain your exibility and stability.
- Practice until you can easily get on, move forward, turn, stop, and dismount with ease.
- Make sure the pavement is even. Do not ride on a slope until you are experienced.
- The scooter is designed for relatively smooth, t terrain. When riding on uneven terrain, slow down.
- Avoid riding in places with pedestrians or obstacles.





Safety Information

The HOVERFLY KH1 Kick Scooter is a personal scooter designed for children ages 3 and up. By operating the scooter, the user acknowledges and accepts responsibility of all risks associated with the use of the HOVERFLY KH1 Kick Scooter which may include, but are not limited to, muscle injuries, broken bones, lacerations, serious injury, and possible death. To better ensure safe riding, always use appropriate protective gear and follow all instructions in this manual.

- The KH1 is a self-propelled scooter designed for a single rider only. It is not intended or equipped for road use, off road use or use with any motorized device.
- Safety gear should be worn at all times. Appropriate gear should include an age appropriate ASTM F1492 approved helmet and other gear such as knee and elbow pads.
- Check all screws and fittings are secure before giving the scooter to a child.
- Add oil for lubrication periodically and replace bearings when worn. Regular maintenance enhances the product safety.
- Use on flat, clean, and dry surfaces. Avoid pedestrians and unstable surfaces.
- Use the scooter with caution as riding requires skill and practice so as to avoid falls or collisions.
- Use the scooter at your own risk. HOVERFLY shall not be held responsible for misuse.
- Do not perform stunts or dangerous maneuvers with the scooter.



Warnings

- Use with adult supervision.
- The braking mechanism may get hot from continuous use, do not touch the brake after it has been used.
- Keep fingers away from moving parts to avoid pinching and entrapment.
- Never allow more than one person at a time on the scooter.
- Never ride at night, obey all outdoor regulations, and give right of way to pedestrians.
- Be careful when riding on wet pavement as braking and wheel traction may be reduced.
- Do not modify the scooter or change the scooter in any way not outlined in these instructions.
- Screws and fixtures may loosen over time. Check and tighten periodically.

Warranty Information

Your HOVERFLY KH1 Kick scooter (“Product”) includes a One Year Limited Hardware Warranty (“Warranty”). The Warranty covers product defects in materials and workmanship under normal use. This Warranty is limited to residents of the United States and Canada only and is available only to original purchasers. This Warranty gives you specific legal rights and you may also have other rights which vary from state to state.

This Warranty starts on the date of your purchase and lasts for one year (the “Warranty Period”). The Warranty Period is not extended if the Product is repaired or replaced. We may change the availability of this limited warranty at our discretion, but any changes will not be retroactive. Warranty services are provided by HOVERFLY . If a hardware defect arises and a valid claim is received within the Warranty Period, at its option and to the extent permitted by law, HOVERFLY will: (1) repair the hardware defect by using new or refurbished parts that are equivalent to new in performance and reliability; or (2) exchange the Product with a product that is new or refurbished which is substantially equivalent to the original product. This Warranty is for one replacement only of like-items and does not cover items out of production if the product is no longer made or stocked. This Warranty is not assignable or transferable. The original purchaser may send a mail to **support.us@gotrax.com** for service requests.

When a product or part is exchanged, any replacement item becomes your property and the replaced item becomes HOVERFLY’s property. This warranty only covers technical hardware defectiveness during the warranty period and under normal use conditions. HOVERFLY does not warrant uninterrupted or error-free operation of this Product.

This Warranty does not cover any damage due to: (a) transportation; (b) storage; (c) improper use; (d) failure to follow the product instructions or to perform any preventive maintenance; (e) modifications;(f) unauthorized repair;(g) normal wear and tear;or (h) external causes such as accidents, abuse, or other actions or events beyond our reasonable control.

Important: Do not disassemble the Product. Disassembling the Product will void this Warranty. Only HOVERFLY or a party expressly authorized by HOVERFLY should perform service on this Product.

DISCLAIMER OF WARRANTY: THE REMEDIES DESCRIBED ABOVE ARE YOUR SOLE AND EXCLUSIVE REMEDIES AND OUR ENTIRE LIABILITY FOR ANY BREACH OF THIS LIMITED WARRANTY. OUR LIABILITY SHALL UNDER NO CIRCUMSTANCES EXCEED THE ACTUAL AMOUNT PAID BY YOU FOR THE DEFECTIVE PRODUCT, NOR SHALL WE UNDER ANY CIRCUMSTANCES BE LIABLE FOR ANY CONSEQUENTIAL, INCIDENTAL, SPECIAL OR PUNITIVE DAMAGES OR LOSSES, WHETHER DIRECT OR INDIRECT.

SOME STATES DO NOT ALLOW THE EXCLUSION OR LIMITATION OF INCIDENTAL OR CONSEQUENTIAL DAMAGES, SO THE ABOVE LIMITATION OR EXCLUSION MAY NOT APPLY TO YOU.

THE DURATION AND REMEDIES OF ALL IMPLIED WARRANTIES, INCLUDING WITHOUT LIMITATION THE WARRANTIES OF MERCHANTABILITY AND FITNESS FOR A PARTICULAR PURPOSE ARE LIMITED TO THE DURATION OF THIS EXPRESS LIMITED WARRANTY.

Specifications

Item	Parameters
Material	Aluminum (Stem), Nylon (Deck), PU (Wheels), Rubber (Handle Grips)
Scooter Dimensions	22.4 x 9.8 x 20.5in / 57 x 25 x 52cm
Handlebar Height	20.8in, 22.8in, 25.2in, 27.6in / 53cm, 58cm, 64cm, 70cm
Diameter (Front Wheel)	4.7in / 12cm
Diameter (Rear Wheel)	3in / 7.6cm
Product Weight	~5.5lbs / 2.5kg
Maximum Load	110lbs / 50kg
Bearings	ABEC-7
Ages	3+
Certifications	CPC

CPC(CPSIA  **F963)**



COPYRIGHT © 2021 HOVERFLY. ALL RIGHTS RESERVED.