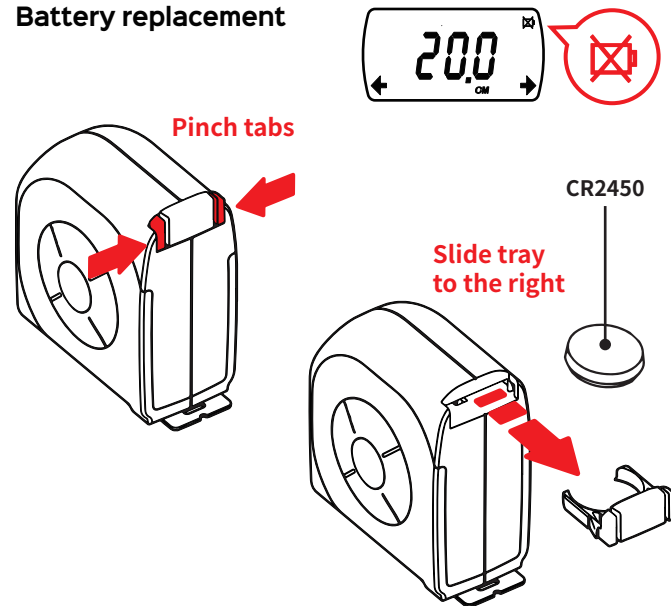
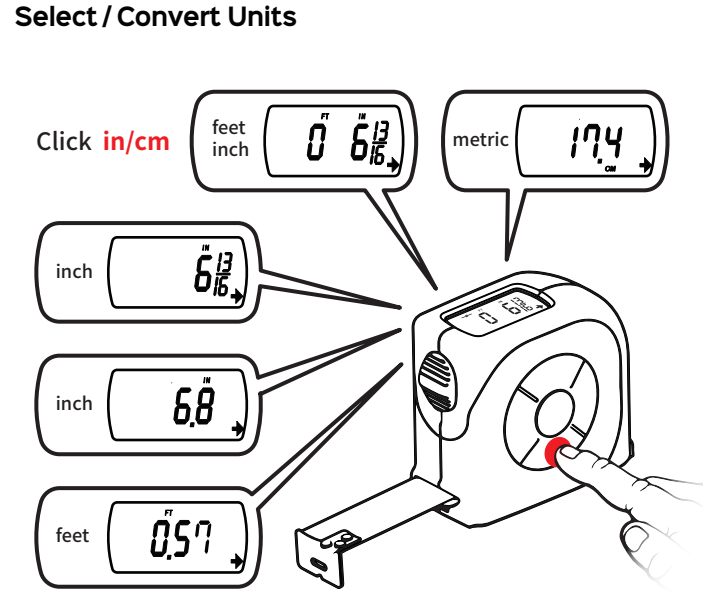


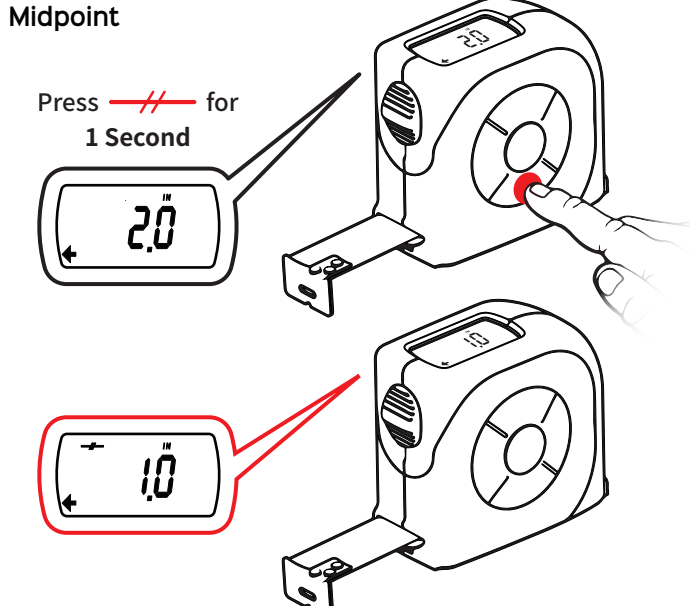
### Battery replacement



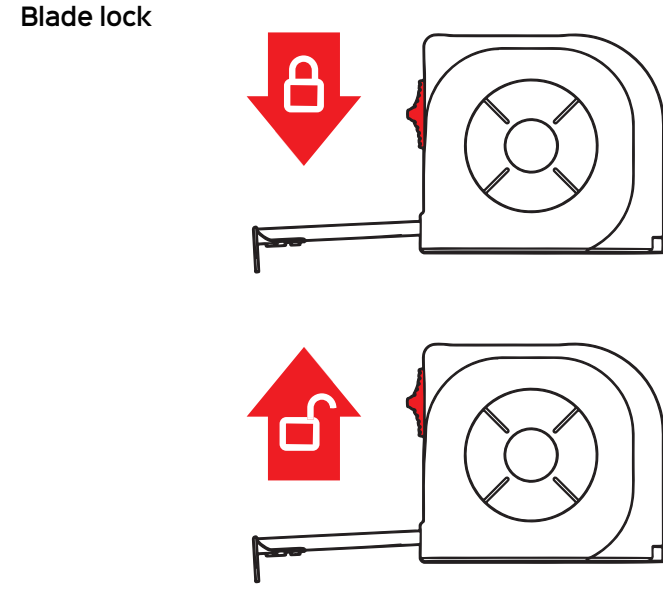
### Select / Convert Units



### Midpoint



### Blade lock



### Auto shut-off

\* eTape16 MAX has an auto shut-off after 5 minutes of non-use. To turn on simply pull out the tape blade a few times to activate the eTape16 MAX.

### Backlight on LCD

\* eTape16 MAX backlight on LCD will activate for 30 seconds when blade is pulled out or when a button is pressed.

MADE IN KOREA

### FCC Compliance Statement

This device complies with Part 15 of the FCC Rules. Operation is subject to the following two conditions :  
 (1) this device may not cause harmful interference, and  
 (2) this device must accept any interference received, including interference that may cause undesired operation.



### WARRANTY:

eMeasure, Inc. warrants eTape16 product for 90 days (for products with electrical or electronic components) against deficiencies in material and workmanship. **This LIMITED WARRANTY** does not cover products that are improperly used, abused, altered or repaired. Deficient products that are covered by this policy will be replaced.

www.etape16.com 1 844-382-7326



**eMeasure Inc.**  
 Winthrop, WA 98862 U.S.A.  
 eTape16.com

### WARNING

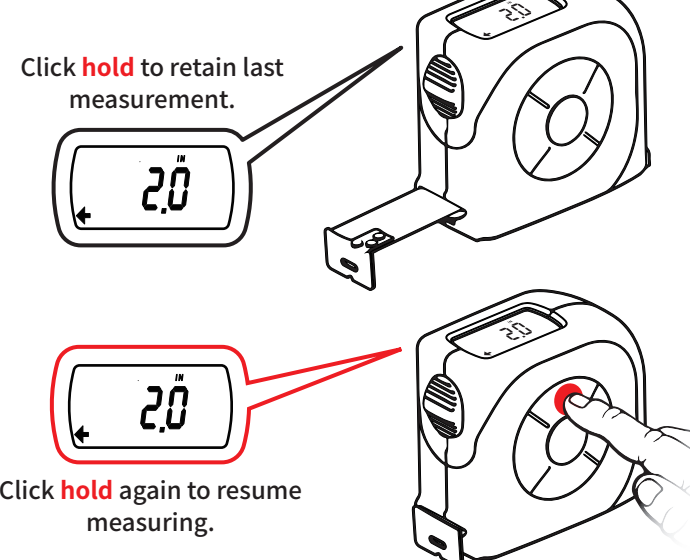
Wear Safety Goggles. Do Not Allow Tape to Retract at High Speed.

### FCC WARNING

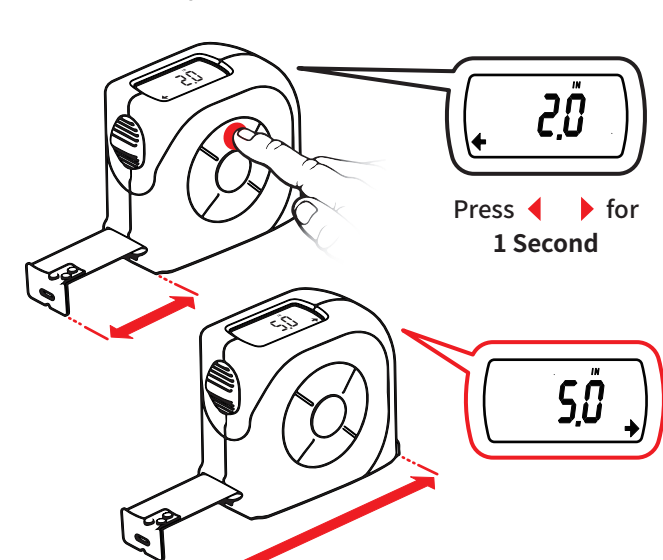
This equipment has been tested and found to comply with the limits for a Class B digital device, pursuant to Part 15 of the FCC Rules. These limits are designed to provide reasonable protection against harmful interference in a residential installation.



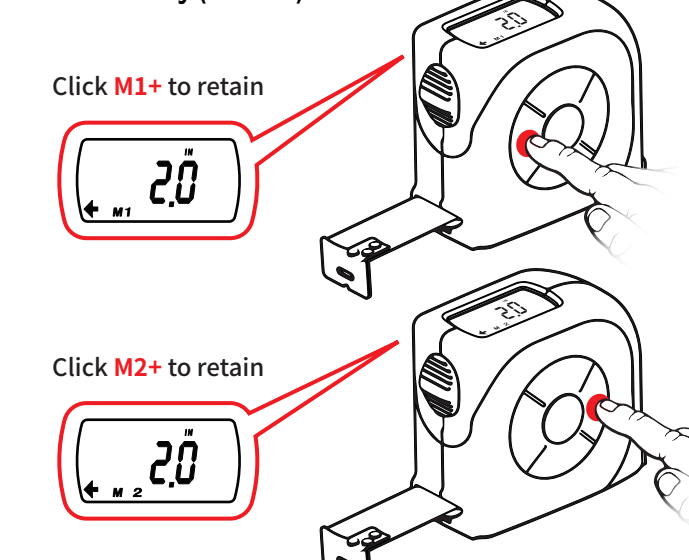
### Hold function



### Select Inside / Outside measurement



### Dual Memory (Record)



### Dual Memory (Recall)

