

IPC-T280H-UF 8 MP IR Network Turret Camera



Key Features

- 1/2.5" progressive scan CMOS
- 3840 × 2160@15fps
- 2.8 mm/4 mm fixed lens
- H.265+, H.265, H.264+, H.264
- Dual stream
- 120 dB WDR
- Built-in Mic
- SD Card
- 3D DNR
- Up to 30 m IR range
- PoE
- IP67

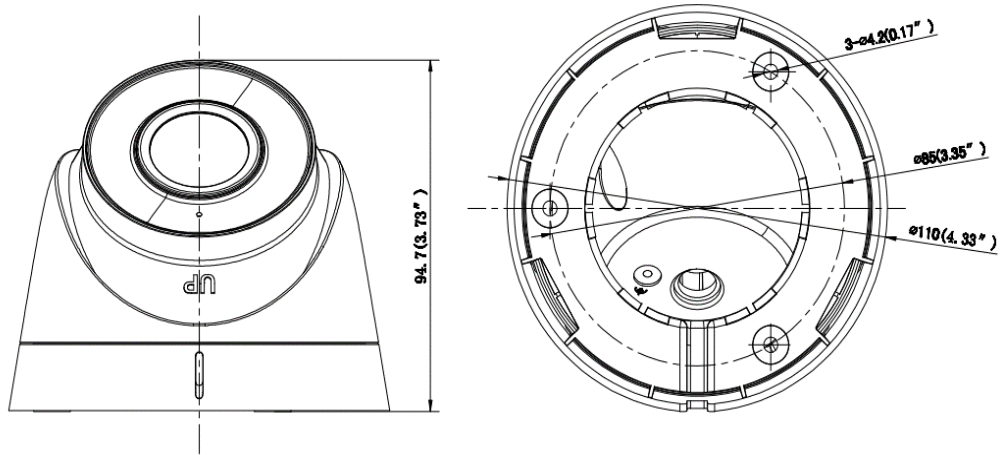
Camera	
Image Sensor	1/2.5" Progressive Scan CMOS
Min. Illumination	Color: 0.01 Lux @ (F2.0, AGC ON)
Shutter Speed	1/3 s to 1/100, 000 s
Slow Shutter	Yes
Auto-Iris	No
Day & Night	IR Cut filter
DNR (Digital Noise Reduction)	3D DNR
WDR (Wide Dynamic Range)	120 dB
Angle Adjustment (Bracket)	Pan: 0° to 360°, Tilt: 0° to 75°, Rotate: 0° to 360°
Lens	
Focal Length	2.8 mm, 4 mm
Aperture	F2.0
Focus	Fixed
FOV	2.8 mm, horizontal FOV 102°, vertical FOV 53°, diagonal FOV 123° 4 mm, horizontal FOV 83°, vertical FOV 44°, diagonal FOV 98°
Lens Mount	M12
IR	
IR Range	Up to 30 m
Wavelength	850 nm
Compression Standard	
Video Compression	Main stream: H.265+/H.265 Sub stream: H.265/MJPEG
H.264 Type	Baseline Profile/Main Profile/High Profile
H.264+	Main stream supports
H.265 Type	Main Profile
H.265+	Main stream supports
Video Bit Rate	32 Kbps to 16 Mbps
Smart Feature-set	
Region of Interest	1 fixed region for main stream and sub-stream
Audio	
Environment Noise Filtering	Yes
Audio Sampling Rate	8 kHz/16 kHz/32 kHz/44.1 kHz/48 kHz
Audio Compression	G.711ulaw/G.711alaw/G.722.1/G.726/MP2L2/PCM/MP3/AAC
Audio Bit Rate	64 Kbps(G.711 ulaw)/64 Kbps(G.711 alaw)/16 Kbps(G.722.1)/16 Kbps(G.726)/32-192 Kbps(MP2L2)/16-64Kbps(AAC)/8-320Kbps(MP3)
Image	
Max. Resolution	3840 × 2160
Main Stream Max. Frame Rate	50Hz: 12.5 fps (3840 × 2160, 2560 × 1440, 1920 × 1080, 1280 × 720) 60Hz: 15 fps (3840 × 2160, 2560 × 1440, 1920 × 1080, 1280 × 720)
Sub-stream Max. Frame Rate	50Hz: 25 fps (640 × 480, 640 × 360) 60Hz: 30 fps (640 × 480, 640 × 360)
Image Enhancement	BLC, HLC, 3D DNR
Image Settings	Mirror, saturation, brightness, contrast, sharpness, AGC, and white balance adjustable by client software or web browser

Privacy Mask	4 regions of privacy masks
Day/Night Switch	Day, Night, Auto, scheduled
* Note: The frame rate of the sub-stream cannot exceed the maximum frame rate of the current main stream.	
Network	
Network Storage	Supports micro SD/SDHC/SDXC card (256 GB) local storage, and NAS (NFS, SMB/CIFS), auto network replenishment (ANR)
Alarm Trigger	Motion detection, video tampering alarm, exception
Protocols	TCP/IP, ICMP, DHCP, DNS, DDNS, HTTP, HTTPS, RTP, RTSP, NTP, UPnP, IGMP, IPv6, UDP, QoS, Bonjour, FTP, SMTP, 802.1x, SSL/TLS, PPPoE
General Function	Anti-flicker, heartbeat, password protection, password reset via email
API	ONVIF (PROFILE S, PROFILE G), ISAPI, SDK, ISUP
Simultaneous Live View	Up to 6 channels
User/Host	Up to 32 users 3 levels: Administrator, Operator, and User
Client	HiLookVision PC Client, HiLookVision App
Web Browser	Plug-in required live view: IE 10, IE 11 Local service: Chrome 57.0+, Firefox 52.0+
Interface	
Communication Interface	1 RJ45 10M/100M self-adaptive Ethernet port
Built-in Microphone	Yes
On-board Storage	Built-in micro SD/SDHC/SDXC slot, up to 256 GB
Hardware Reset	Yes
General	
Operating Conditions	-30 °C to 60 °C (-22 °F to 140 °F), humidity: 95% or less (non-condensing)
Power Supply	12 VDC ± 25%, 5.5 mm coaxial power plug PoE (802.3af, class 3)
Power Consumption and Current	12 VDC, 0.4 A, Max: 5 W PoE: (802.3af, 36 V to 57 V), 0.2 A to 0.13 A, Max: 7 W
Protection Level	IP67 (IEC 60529-2013)
Material	Camera body: metal, bottom base: plastic
Dimensions	Camera: Ø110 × 85 mm (Ø4.33" × 3.20") With package: 153 mm × 152 mm × 142 mm (5.9" × 5.9" × 5.6")
Weight	Camera: approx. 390 g (0.9 lb.) With package: approx. 656 g (1.4 lb.)

Available Models

IPC-T280H-UF (2.8/4 mm)

Dimensions



Accessory

▪ Optional



HIA-B301
Vertical pole mount



HIA-J102
Junction Box



HIA-B401-110T
Wall mount



HIA-B201
Corner mount