

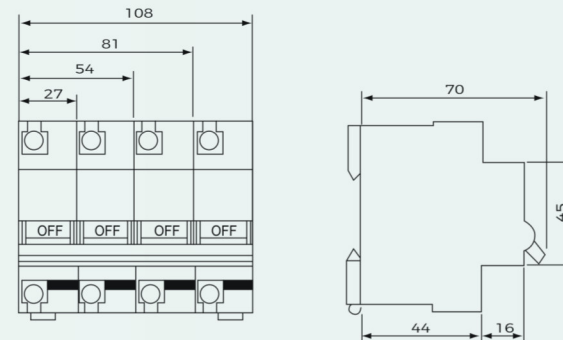
FPV-125

Solar DC Mini Circuit Breaker (DC MCB)

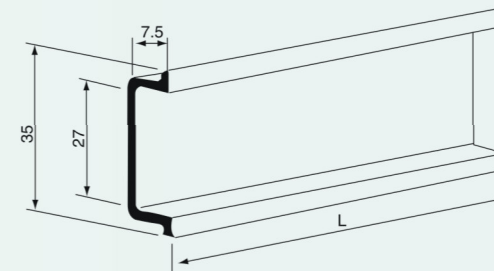
FPV-125 high breaking capacity circuit breaker is specially for solar PV system. The current is from 63A to 125A and voltage up to 1000VDC. Standard according to IEC/EN60947-2.



Characteristic Curve



Installation



Over current tripping characteristic

Test	Rated Current (A)	Initial State	Test Current	Limited Time	Prospective Result	Starting State
a	$I_n = 63$	Cold state	$1.05I_n$	$t \leq 1h$	Non-tripping	
	$I_n > 63$	Cold state	$1.05I_n$	$t \leq 2h$	Non-tripping	
c	$I_n = 63$	Hot state	$1.3I_n$	$t < 1h$	Tripping	The current rise steadily to a fixed value within 5s
	$I_n > 63$	Hot state	$1.3I_n$	$t < 2h$	Tripping	
d	$I_n \geq 63$	Cold state	$8I_n$	$t \leq 0.5s$	Non-tripping	
			$12I_n$	$t < 0.2s$	Tripping	

Specifications

Rated Current	63,80,100,125A			
Rated Voltage (V DC)	250	550V/800	750	1000/1200/1500
No. of Pole	1P	2P	3P	4P
Mechanical Life	7800 times (C.O)			
Electrical Life	20000 times			
Icu	10KA			
Ics	10KA			
Weight(G)	150	300	460	620