

## FDS-63 Solar DC Fuse



### Application

A range of 14x51mm fuse links specifically designed for protecting photovoltaic strings. These fuse links are capable of interrupting low overcurrents associated with faulted photovoltaic string arrays (reverse current, multi-array fault).

### Structural Characteristics

- According to IEC60269-6
- Rated current: 1-63A
- Rated voltage: DC 1000V
- Operating class gPV for Solar protection

### Specification

Pole	1P
Rated Voltage Ue (V DC)	1000
Rated Current In (A)	4, 6, 8, 10, 12, 16, 20, 25, 32, 40, 50, 63

### Connection and Installation

Connection(mm <sup>2</sup> )	2.5 -1 0
Working Temperature(°C)	-30~+70
Resistance And Damp Hot	Class 2
Altitude(m)	≤ 2000
Relative Humidity	≤ 95%
Protection Class/Degree	IP20
Pollution	3
Installation Environment	No obvious shock and vibration
Installation Class/Type	Class III/DIN rail

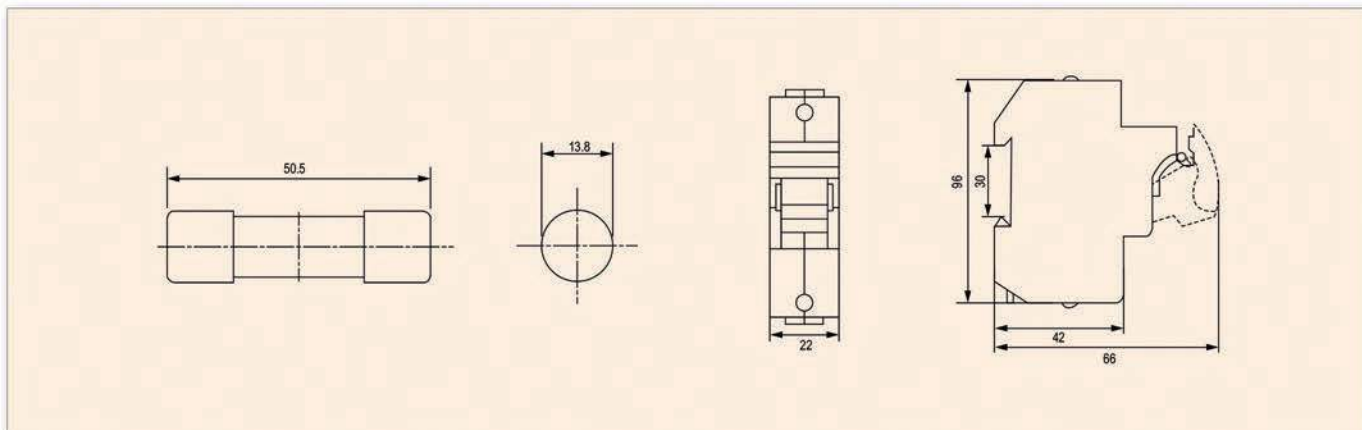
### Size(mm)

Size/Dimension(mm)		
(WxHxL)	W	22
	H	66
	L	96
Fuse Size		14x51
Weight (kg)		0.11

### PV fuse Description

- Photovoltaic system fuse accord with UL248-1 standard.
- Photovoltaic battery dc fuse designed to used for photovoltaic (PV) system.
- Main effect is to protect the solar panels. Solar panels points in effective condition is broken.
- Fault light cells break points at the same time, does not affect other normal work of light from the stack.
- Technical Data Rated coltage: DC1000V Breaking capacity: 25KA Function level: PV.

Dimensions



Installation

