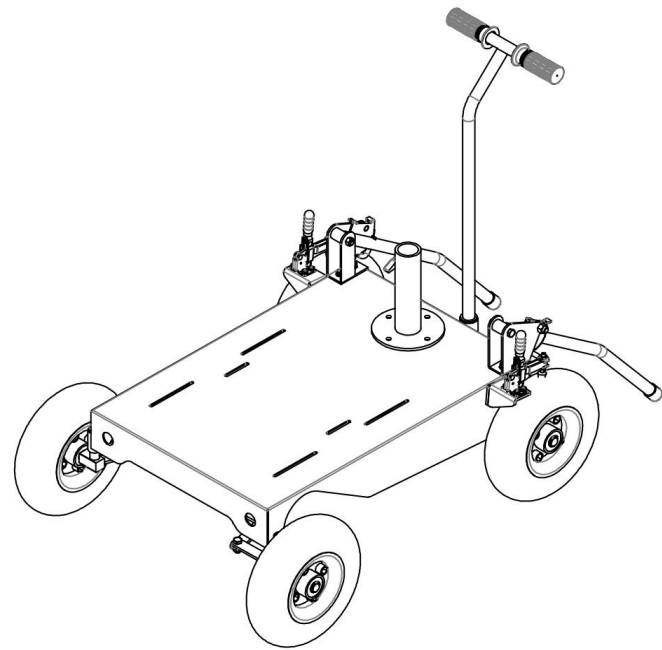
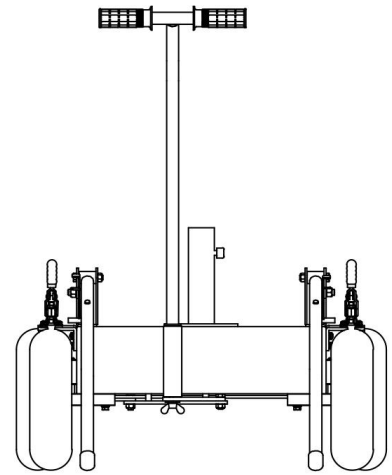
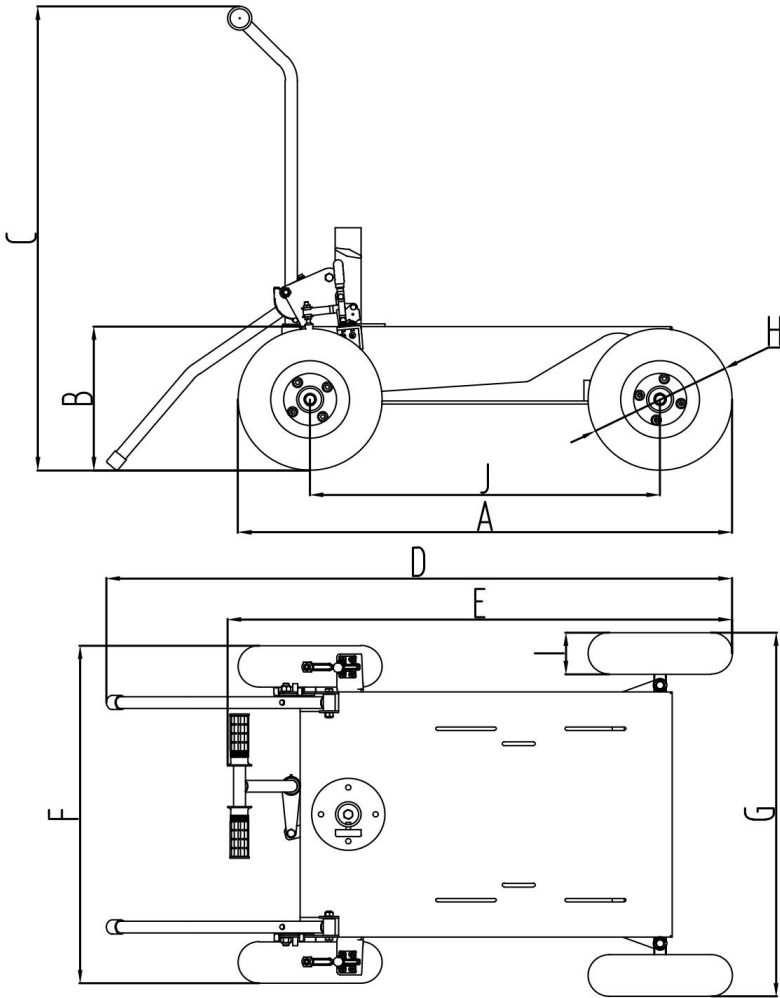
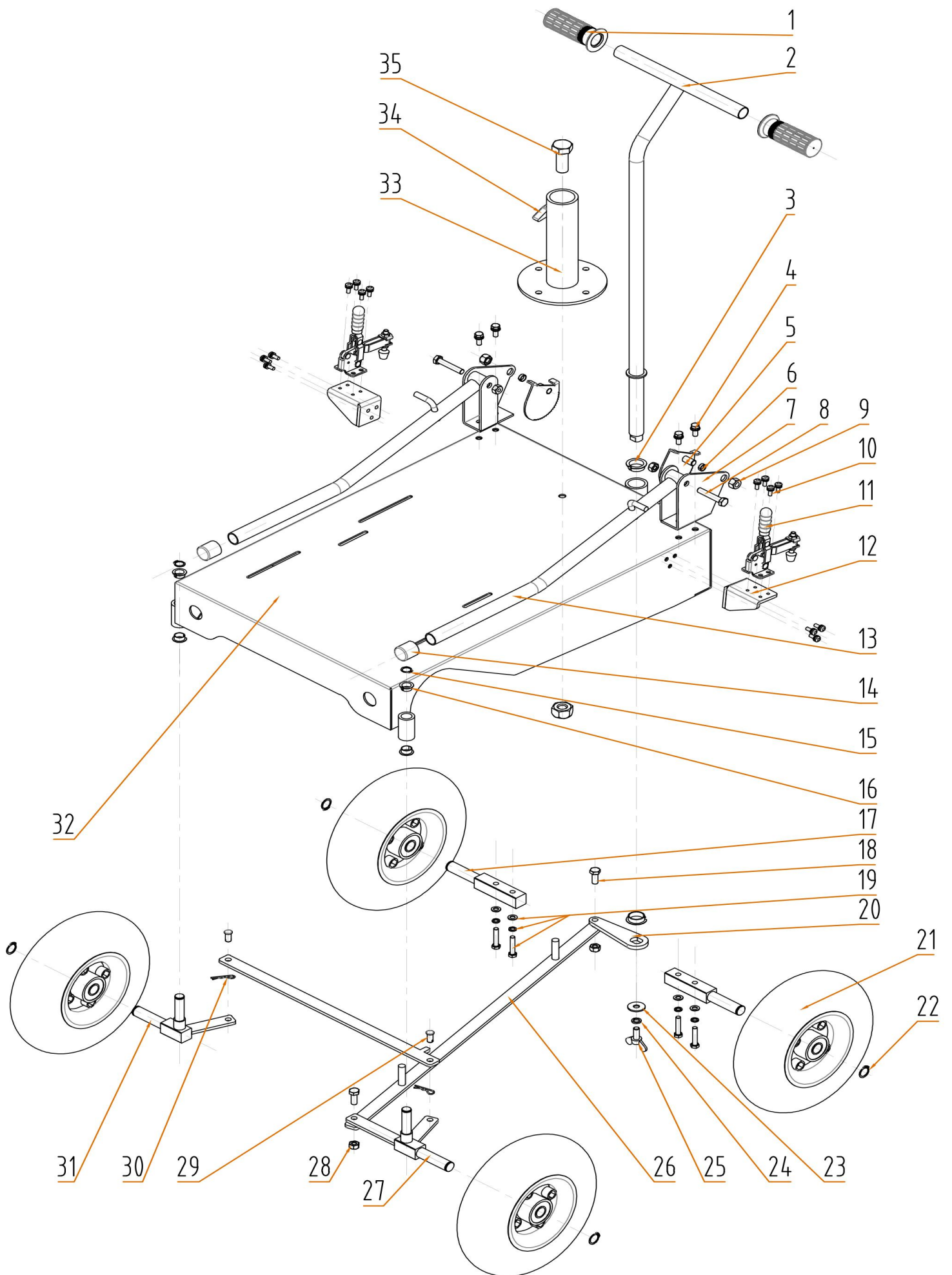


PARTS MANUAL



Reference Letter	Dimension(in)	Reference Letter	Dimension(in)
A	40.55	F	28.35
B	12	G	30.51
C	33.78	H	φ12
D	51.38	I	3.46
E	41.54	J	28.74



No.	Part Number	Description	Specification	Qty
1	SD-CART-G1-001	Handle Sleeve		2
2	SD-CART-G1-002	Handle		1
3	SD-CART-G1-003	Axle Sleeve	25*28*10	2
4	SD-CART-G1-004	Outer Hexagon Assembling Bolt	M8*20	4
5	SD-CART-G1-005	Damping Plate		2
6	SD-CART-G1-006	Axle Sleeve	12*14*5	2
7	SD-CART-G1-007	Mounted Plate for Supporting Leg		2
8	SD-CART-G1-008	Outer Hexagon Bolt	M10*55	2
9	SD-CART-G1-009	Outer Hexagon Locknut	M12	2
10	SD-CART-G1-010	Crosshead Assembling Screw	M6*20	14
11	SD-CART-G1-011	Brake		2
12	SD-CART-G1-012	Brake Mounting Part		2
13	SD-CART-G1-013	Supporting Leg		2
14	SD-CART-G1-014	Rubber Cap		2
15	SD-CART-G1-015	Ring Gasket	M16	2
16	SD-CART-G1-016	Axle Sleeve	16*18*10	4
17	SD-CART-G1-017	Rear Axle		2
18	SD-CART-G1-018	Outer Hexagon Bolt	M10*25	2
19	SD-CART-G1-019	Outer Hexagon Assembling Bolt	M8*40	4
20	SD-CART-G1-020	Steering Arm		1
21	SD-CART-G1-021	Wheel		4
22	SD-CART-G1-022	Ring Gasket	M20	4
23	SD-CART-G1-023	Flate Gasket	M10	1
24	SD-CART-G1-024	Spring Gasket	M10	1
25	SD-CART-G1-025	Butterfly Bolt	M10*25	1
26	SD-CART-G1-026	Steering Connecting Rod		1
27	SD-CART-G1-027	Front Axle A		1
28	SD-CART-G1-028	Outer Hexagon Locknut	M10	4
29	SD-CART-G1-029	Axis Pin with Hole	M10*20	2
30	SD-CART-G1-030	R Shape Pin	1.6*28	2
31	SD-CART-G1-031	Front Axle B		1
32	SD-CART-G1-032	Base Plate		1
33	SD-CART-G1-033	Bracket		1
34	SD-CART-G1-034	Hand Screw	3/8-16	1
35	SD-CART-G1-035	Outer Hexagon Bolt	M12*30	1