

BALLOON LIGHT FIXTURE

400W PRO
SD-BLF-400-R-G3

LIFETIME WARRANTY

360° Diffused Glare-Free Illumination • Inflatable Balloon Light Diffuser



58,000
LUMEN



5,700K
DAYLIGHT
COLOR



50,000
LASTING
HOURS



90-150
VOLT



REMOTE
CONTROL
SD-LREMOTE-G3



FIXTURE CASE
SD-BLF-CB-400W-G3

400W BALLOON
LIGHT FIXTURE
SD-BLF-400-R-G3

400W REFLECTIVE
BALLOON LIGHT DIFFUSER
SD-BLD-400-R-G3



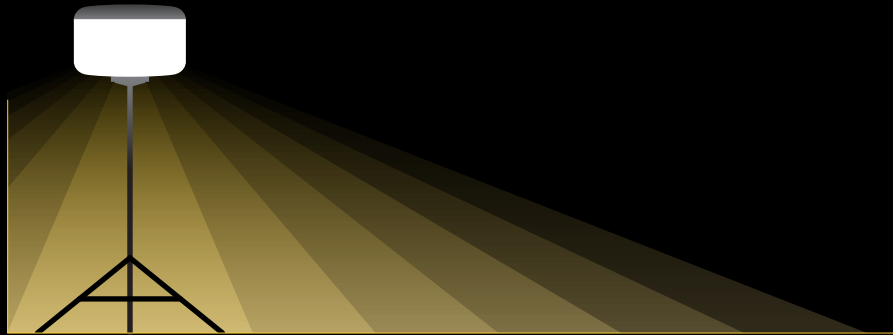
SeeDevil

APP CONTROLLED
BALLOON LIGHT

- Quick and easy setup
- Glare-free lighting and wide area coverage
- 8 × 50W LED panels rated at 50,000 hrs, 145 lm per watt LED chips
- 58,000 lm, < 3.5 op amp, 90-150V input
- 61,000+ square feet of brilliant illumination
- Internal blower inflates balloon and cools LED panels
- Dimmable wireless remote
- Reflective diffuser constructed of heat-and-water-resistant, UV protected heavy-duty materials
- Run multiple units on one 2000W generator
- 25' spec. grade power cord with 2-layer strain relief
- Aluminum & stainless steel
- Lifetime limited warranty

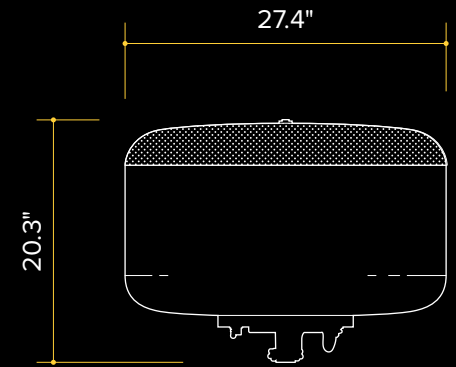
POLAR DIAGRAM

Light on tripod at 9 feet



Feet	0	20	40	60	80	100	140
Lux	475	208	81	20	7	4	1

DIMENSIONS



SPECIFICATIONS

Product Name:	400 Watt Balloon Light Kit	Illumination Radius:	140ft
Fan wattage:	20W	Sq Ft of Illumination:	61,575 sq ft
Voltage:	AC 90–150V	Lamp Life:	50,000 hours
Frequency:	50/60 Hz	IP Rating:	IP 65
Operating Amperage:	3.5A	Operating Decibel:	64.7dB
Power Consumption:	420W	Weight:	25.24 lb (fixture)
Operating Temperatures:	-30–130°F	Power Cord:	25ft
Luminous Flux:	58,000 lm	Warranty:	Lifetime Limited Warranty (fixture)
Color Temperature:	5,700K		

FEATURED ACCESSORIES (not included)



9' TRIPOD
SD-MTS-G3



4" HEAVY-DUTY C-CLAMP
SD-4CS-LRG-G1



1/2" x 13 ADAPTER
SD-ADSL-G1



ALL WHITE BALLOON DIFFUSER
SD-BLD-400-W-G3



TRUCK HITCH MOUNT
Includes mount and 7.5ft chain driven extension pole

Visit SeeDevil.com for a comprehensive list of accessories



SeeDevil

Control your light with SeeDevil App



DESIGNED IN THE USA

MADE IN CHINA