

BALLOON LIGHT KIT

SD-250W-KIT-G3

250
WATT

360° Diffused Glare-Free Illumination • Inflatable Balloon Light Diffuser



REMOTE CONTROL
SD-SREMOTE-G3

250W BALLOON LIGHT FIXTURE
SD-BLF-250-G3

6.5' TRIPOD
SD-STS-G3



SeeDevil

APP CONTROLLED BALLOON LIGHT



32,500
LUMEN



3,000–5,000K
COLOR



50,000
LASTING HOURS



90–277
VOLT

LIFETIME WARRANTY

- Quick and easy setup
- Glare-free lighting and wide area coverage
- Lightweight, versatile, portable and compact
- 32,500 lm, < 2.13 op amp, 90–277V input
- 20,000+ square feet of brilliant illumination
- 6.5' heavy-duty sliding tripod
- Dimmable wireless remote
- Internal blower inflates balloon and cools LED panels
- LED Balloon Light diffuser constructed of heat-and-water-resistant, UV protected nylon
- Run multiple units on one 2000W generator
- 16' spec. grade power cord



EYE BOLT
SD-IBOLT-G1



TRIPOD ADAPTER
SD-TA-G1



2" C-CLAMP
SD-2CS-ECON-G1



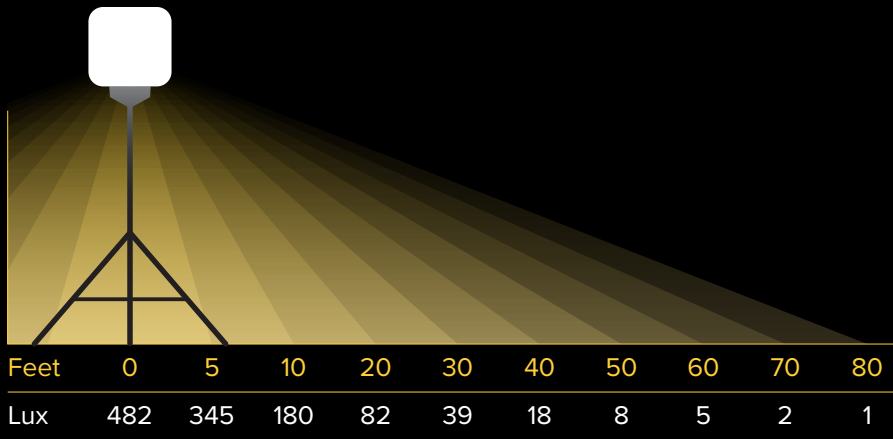
FIXTURE CARRY BAG
SD-BLF-CB-SS-G3



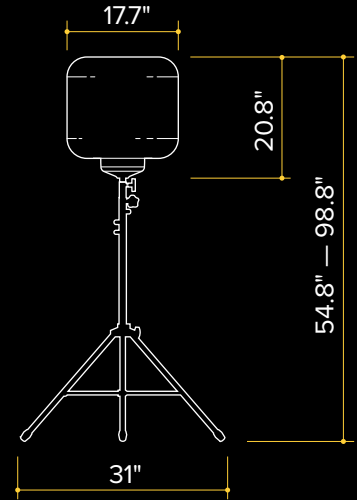
6.5' TRIPOD CARRY BAG
SD-STS-CB-G3

POLAR DIAGRAM

Light on tripod at 6.5 feet



DIMENSIONS



SPECIFICATIONS

Product Name:	250 Watt Balloon Light Kit	Illumination Radius:	80ft
Fan wattage:	5W	Sq Ft of Illumination:	20,106 sq ft
Voltage:	AC 90–277V	Lamp Life:	50,000 hours
Frequency:	50/60 Hz	IP Rating:	IP 42
Operating Amperage:	2.13A	Operating Decibel:	52dB
Power Consumption:	255W	Weight	8.7 lb (fixture) 7.1 lb (tripod)
Operating Temperatures:	-30–130°F	Power Cord:	16ft
Luminous Flux:	32,500 lm	Warranty	Lifetime Limited Warranty (fixture)
Color Temperature:	3,000–5,000K		

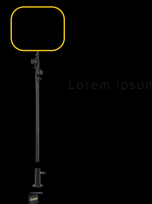
FEATURED ACCESSORIES (not included)



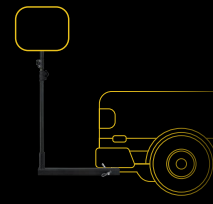
**2" HEAVY-DUTY
C-CLAMP**
SD-2CS-G1



**500W 560WH
PORTABLE POWER STATION**
SD-PPS500-G1



**STANDARD SERIES
UNIVERSAL POLE MOUNT KIT**
SD-UPMKIT-SM-G1



**STANDARD SERIES
TRUCK HITCH MOUNT**
SD-HITCHKIT-SM-G1

Visit
SeeDevil.com
for a comprehensive
list of accessories



SeeDevil

Control your light
with SeeDevil App



DESIGNED IN THE USA

MADE IN CHINA