

CEL-FI GO G43

In-Building Cellular Coverage Solution

MODEL NUMBERS: G43-99JE, G43-JJNE

Designed to offer retailers, convenience stores, quick serve restaurants, and other small businesses a fast way to solving in-building cellular coverage challenges, the CEL-FI GO G43 is a multi-operator cellular coverage solution that ensures reliable in-building 3G, 4G, and future 5G NR connectivity for up to three Mobile Network Operator (MNO) signals. In addition to offering the ease of installation that CEL-FI GO systems are known for, GO G43 features the latest Nextivity proprietary 4th generation IntelliBoost technology to deliver the same multi-operator, channelized signal boosting performance as the flagship CEL-FI QUATRA line of products. The system also offers remote system monitoring and management via the Nextivity WAVE Portal.



CEL-FI GO G43

Features and benefits include:

- Latest 4th generation Nextivity proprietary IntelliBoost chip delivers channelized coverage for multi-operator signals.
- Ready to extend coverage for future 5G networks
- Industry-leading signal gain up to 100 dB to overcome coverage challenges where no other solution can
- Automatic gain control (AGC) feature automatically adjusts the signal strength to prevent interference with the MNO network
- System monitoring and management with WAVE Portal

Specifications

Frequency Bands	1/3/5/7/8/20/28/40
Relay Channel Bandwidths (MHz)	5/10/15/20
Networks	3G/4G/5G
Network Protocols	WCDMA/LTE/DSS/NR*
Antenna Technology	SISO
Network Selection	Automatically best available (WAVE Portal for manual setting)
Duplex Modes	FDD & TDD
# of Relay Bands (max.)	6
Relay Bandwidth per Donor Port (MHz max.)	20 + 20
Output Downlink Power (All Bands) (dBm max. per band per port)	19 (16 in U.K.)
Output Downlink Power (All Bands) (dBm max. per channel per port)	14
Output Uplink Power (Bands 1/3/7/40) (dBm max.)	22
Output Uplink Power (Bands 5/8/20/28L/28U) (dBm max.)	20
System Gain (dBm max.)	100
Enterprise-Grade Echo Cancellation (dB min.)	30
Return Loss (dB typ.)	-8
Impedance (Ω nom.)	50

* Available with software update in 2024.

Bands

Frequency Bands	Downlink (MHz)	Uplink (MHz)	Max. Relay BW (MHz)
1	2110-2170	1920-1980	20
3	1805-1880	1710-1785	20
5	869-894	824-849	15
7	2620-2690	2500-2570	20
8	925-960	880-915	15
20	791-821	832-862	20
28L	758-788	703-733	20
28U	773-803	718-748	20
40	2300-2390	2300-2390	20

Interface

Donor RF Connector	3x N-type (f)
Server RF Connector	3x N-type (f) (1x N-type (f) terminated)
DC Input	Power DIN, 4 Pin
Power & System Status	3x Bi-color LED (Green/Red)
LAN Status	1x LED (Green)
Factory Debug only	3x USB 2.0 Micro-B
System Management & SW Updates	RJ45 for WAVE Portal for Desktop

Compliance

3GPP	TS 25.143 Rel 13
	3GPP TS 36.143 Rel 13
CE	Compliant
	RED 2014/53/EU
RoHS3	EN 63000: 2018
OFCOM	VTS 2102
ACMA/RCM	AS/NZS CISPR, 32:2013

Power Supply

Power Consumption (W max.)	102
Power Supply Plug	Type C (EU) or Type I (AUS) or Type G (UK)
Input Voltage (VDC)	11.4 to 12.6
Input Current (A max.)	8.5
Power Supply AC Cable	18 AWG
Power Supply AC Cable Length (ft (m))	6 (1.85)
Power Supply DC Cable	16 AWG
Power Supply DC Cable Length (ft (m))	3.3 (1)

Environmental

Operating Temperature (°F (°C))	32 to 104 (0 to 40)
Storage Temperature (°F (°C))	-31 to 158 (-35 to 70)
Heat Dissipation	Passive Convection
Surface Temperature (°F (°C) max. at ambient)	111.2 (44)
Non-condensing Humidity (%)	0 to 95
Ingress Protection Rating	IPX0

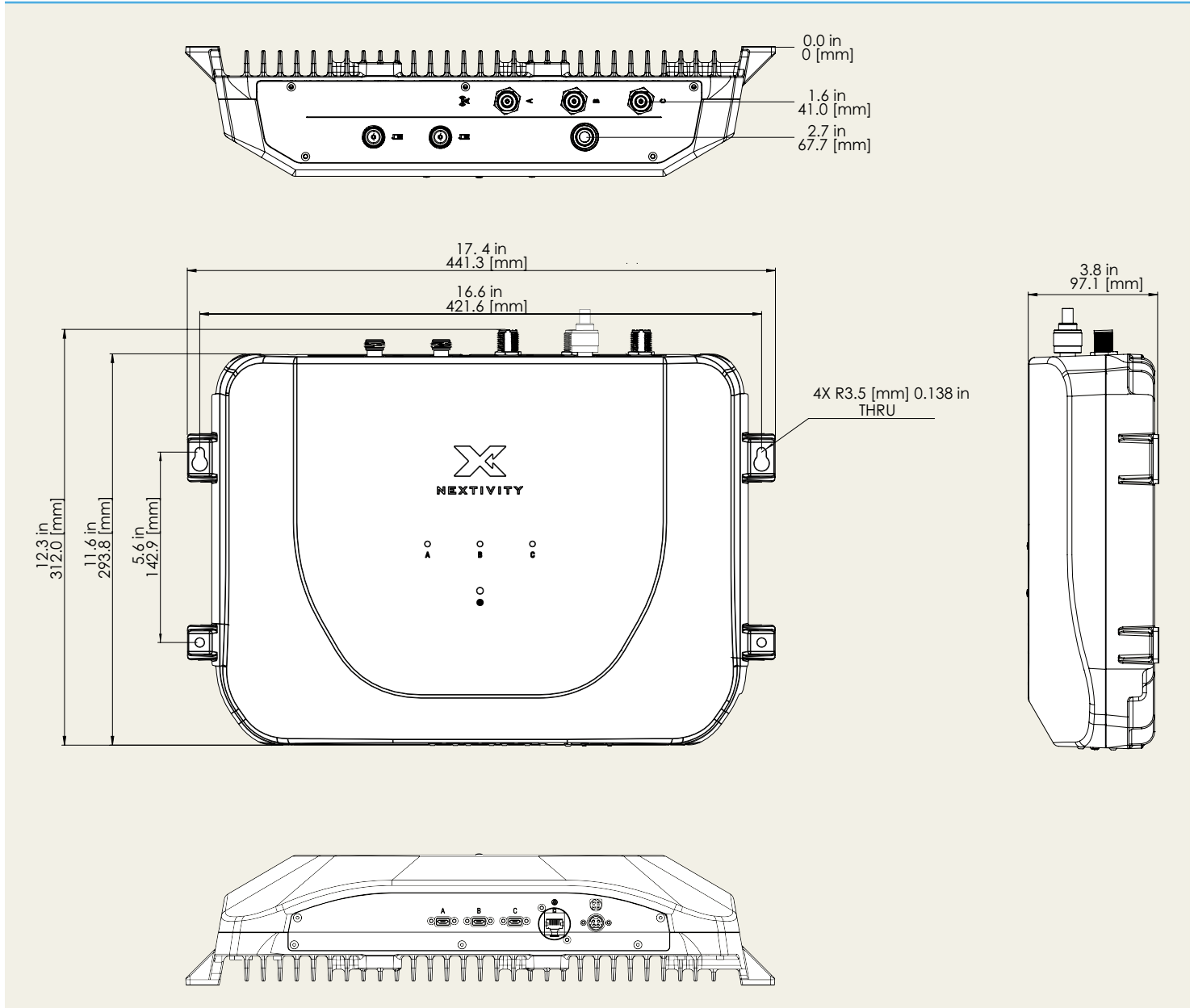
Mechanical

Main Unit Dimensions (in (mm))	17.4 x 12.3 x 3.8 (441 x 312 x 97)
Main Unit Weight (lbs (kg))	15.4 (7.0)

Ordering Information

MODEL NUMBER	G43-99JE	G43-JJNE
Region	EMEA/APAC	EMEA/APAC
Frequency Bands	1/3/5/7/8/20/28L/40	1/3/5/7/8/28L/28U/40
Port A & B Bands	1/3/7/8/20	1/3/5/7/8/28L/40
Port C Bands	1/3/5/7/8/28L/40	1/3/5/7/8/28U/40
Box Contents	Main Unit	Main Unit
	1x AC Adapter (290N156-001)	1x AC Adapter (290N156-001)
	4x Mounting Screws	4x Mounting Screws
	4x Drywall Anchors	4x Drywall Anchors
	1x AC Cable (249N001-00x)	1x AC Cable (249N001-00x)
Shipping Dimensions (in (mm))	23.5 x 14.8 x 6.8 (597 x 376 x 172)	23.5 x 14.8 x 6.8 (597 x 376 x 172)
Shipping Weight (lbs (kg))	19.5 (8.85)	19.5 (8.85)
Harmonized Tariff Schedule (HTS)	8517.18.00.50	8517.18.00.50
Export Control Classification Number (ECCN)	EAR99	EAR99

CEL-FI GO G43 Outline



Product specifications are subject to change without prior notification.