

## General trouble-shooting guide.

How can I ask for help when something goes wrong with my product?

Click contact link, send us an email, please include:

1. Brief problem description.
2. Contact info. (phone number, email)
3. Video or pictures demonstrating problem.

What if my lift chair does not work at all?

1. Make sure outlet is turned on and has electricity.
2. Ensure chair plug is in outlet.
3. Make sure there is no cable damage.

The footrest cannot be fully raised.

The motor that controls the footrest needs to be replaced (the motor can be replaced very easily, the seller will provide an installation video if needed.)

### Noises

All motors hum and vibrate slightly. This is normal. There are many moving parts and you may hear noises when operating the chair. However, if the noise is excessive, contact a customer service representative.

## Welcome

Thank you for choosing our product!

We hope our product meets or exceeds your expectations. Should you have any questions, feel free to contact the seller including your contact information (name, phone number). Our customer representative will contact you soon.

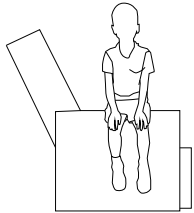
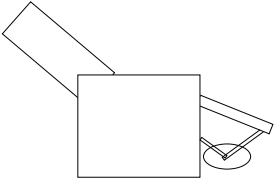
We suggest that you keep this manual in a safe place. It contains essential information regarding the operation of your chair.

## Contents

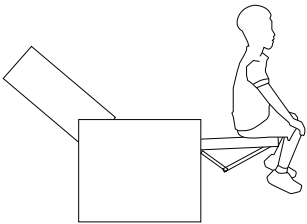
|  |           |
|--|-----------|
| --General Warnings/                        | 2         |
| --Specific Warnings/                       | 3         |
| --Parts/                                   | 4         |
| --Assembly Steps/                          | 5/6/7/8/9 |
| --Remote control                           | 10        |
| --Cleaning/ General trouble-shooting guide | 11/12     |

## Caution!

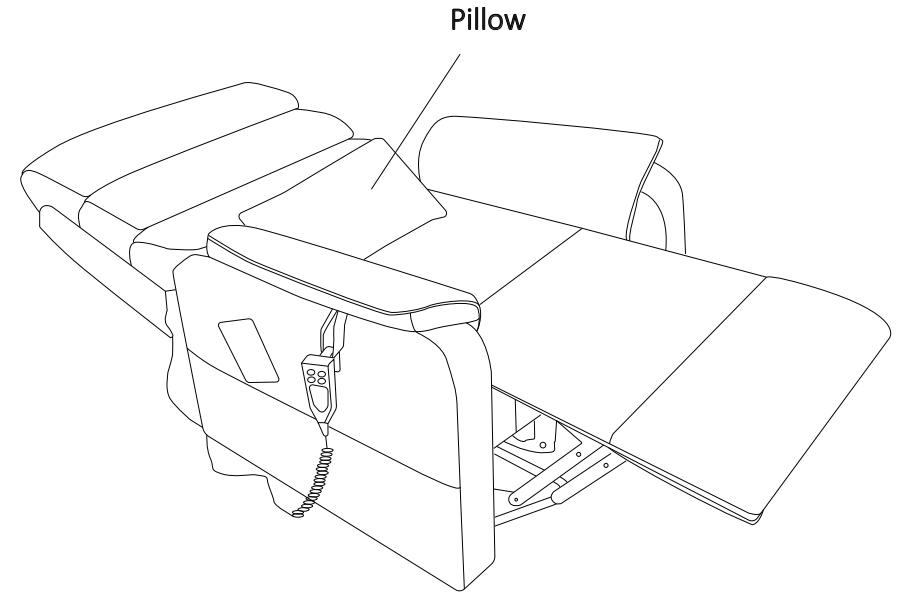
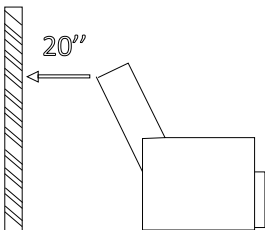
The rise/recline of the footrest is supported by a scissor mechanism. Do not leave children or pets unsupervised or directly around the chair. There is a potential risk of trapping by the mechanism. Take care to avoid trapping clothing, blankets, fingers etc.



Do not sit on the armrests or footrest, the mechanism may be damaged by putting too much weight on it.



Make sure there is enough distance between the wall and the chair back BEFORE fully reclining. Reclining the chair too close to the wall will damage the chair. We suggest you keep 20 inches between the wall and your chair.



## Warm tips

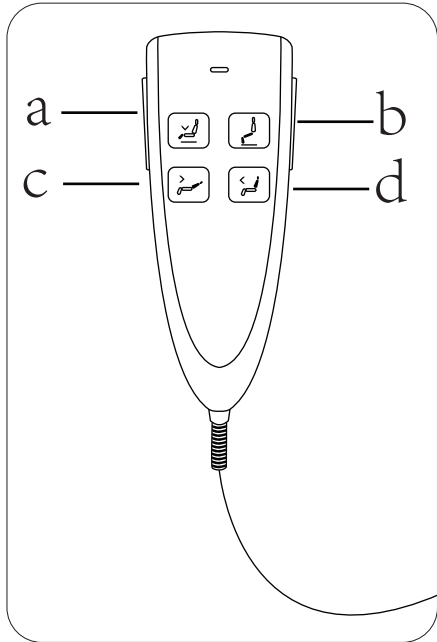
This pillow is recommended when lying down on this chair it will help to support your body and make you more comfortable during sleep.

## Cleaning

Follow these four quick steps to clean a breathable leather-fabric couch:

1. Wipe down the chair using a microfibre cloth.
2. Wipe over using a damp cloth.
3. Use eco-friendly soap.
4. Wipe over using a dry rag.

## Remote control

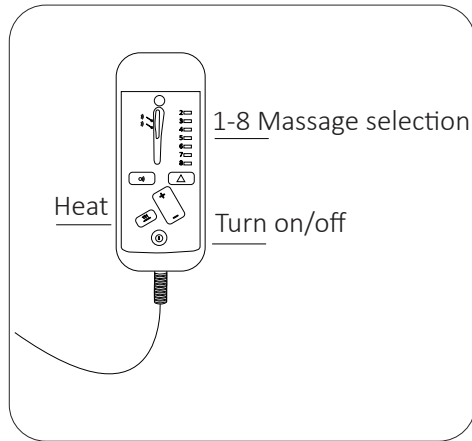


a Lifts/Opens footrest and lowers chair.

b Lowers/Closes footrest and lifts chair.

c Lowers/Opens backrest.

d Lifts/Closes backrest.



**Specific Warning**  
**People with heart disease should be cautious when using this massage function.**

## Specific Warnings

- Maximum loading capacity 300 lbs!
- Ensure that only one person sits in the chair at a time.
- Do not route any cables under the chair or through any moving part of the chair. There is a risk of the cable being damaged which could cause an electric shock.
- Do not use the chair with an electric blanket.
- Do not dry wet areas with hair dryers, etc.
- Do not over expose the leather to sunlight.
- Do not leave the chair in the recline position.
- Do not move the chair while the power cable is connected to the outlet.
- Keep all electronics away from moisture and extreme temperatures.
- If the chair becomes damaged, unplug and contact the seller for service.
- Unplug the base before cleaning.
- Avoid getting liquid on to the electrical system.
- When the chair is in the raised position, do not sit down heavily onto it, but, lower yourself gently. Severe impact could damage the mechanism.
- Ensure that the footrest does not catch on the carpet.
- Be careful while using sharp objects such as needles, pins, scissors, etc.
- Do not drag the chair when moving or lifting as this may cause damage to the lifting mechanism and trap the cables.
- Do not leave the chair in the UP or DOWN position when not in use.
- We do advise that the chair checked once every 12 months.
- Only use authorized accessories for the chair.


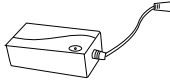


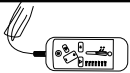

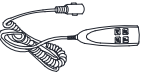

## Parts

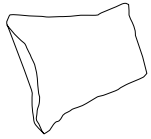
The first box contains the following parts:

A: Accessory package

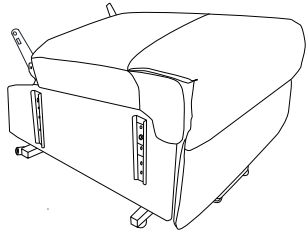


This package is inside the chair base and contains

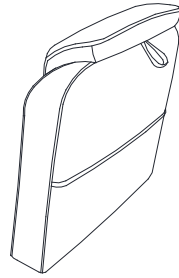
|  |   |
|--|---|
| 1 Motor power cord    | 2 Transformer           |
| 3 A wrench            | 4 Two castors            |
| 5 Massage controller  | 6 Massage power cord    |
| 7 Controller          | 8 Motor extension cord  |



B: Pillow

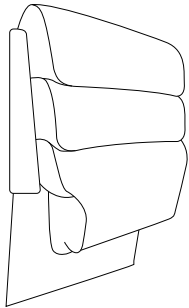


C: Chair base

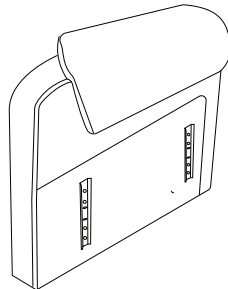


D: Right arm

The second box contains the following parts:

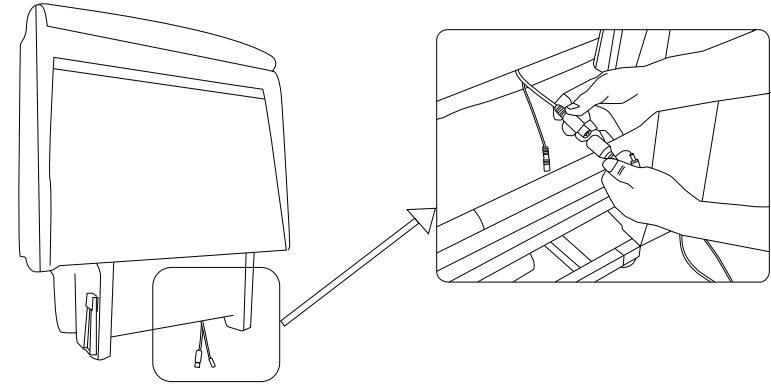


E: Chair back

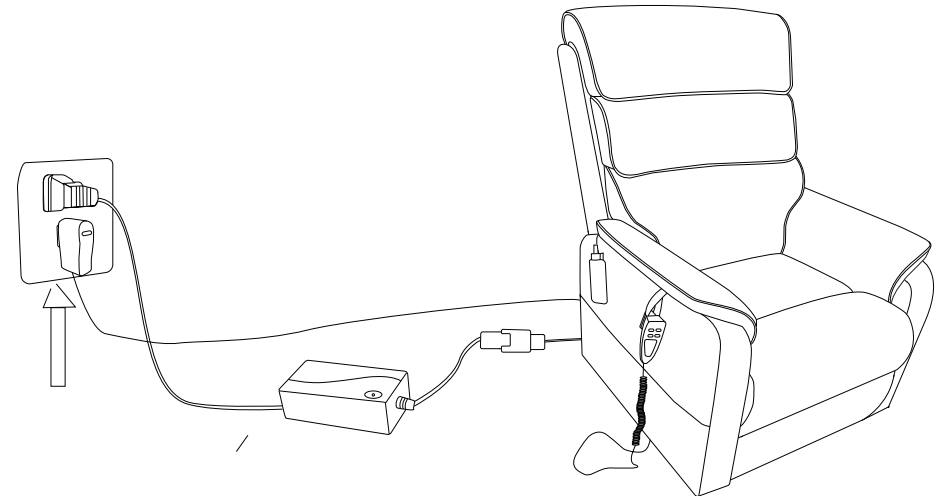


F: Left arm

## Step 8. Connect the cords.

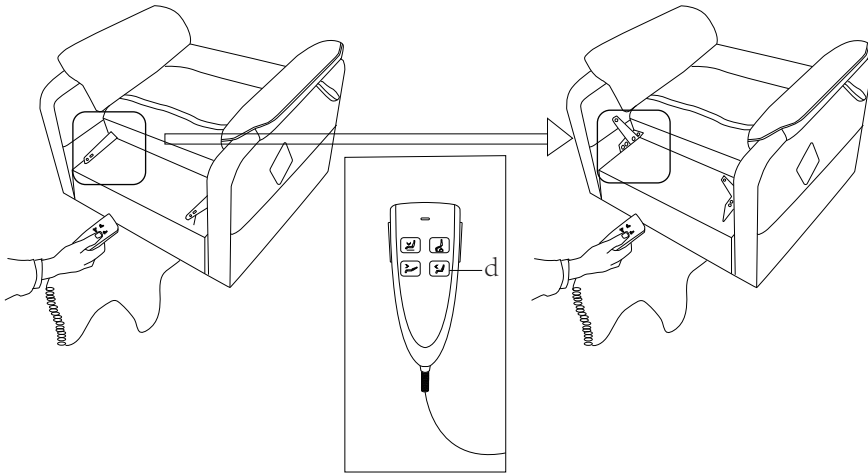


a. Connect these two cords as shown above.  
(these two cords are on the back of the backrest.)



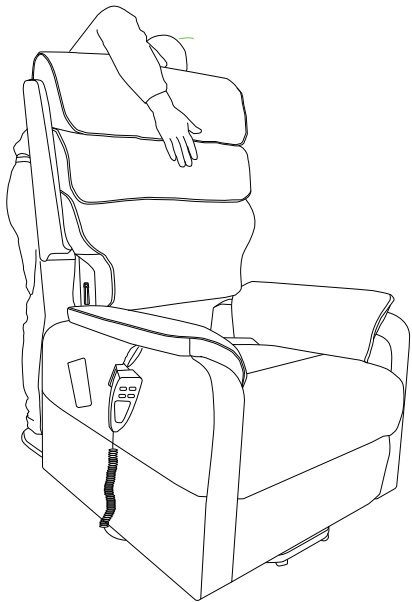
b. Plug massage power cord into outlet.

## Step 6 .Adjust the backrest's locking clip.



Press this “d ”button to fully open the backrest's locking clip.

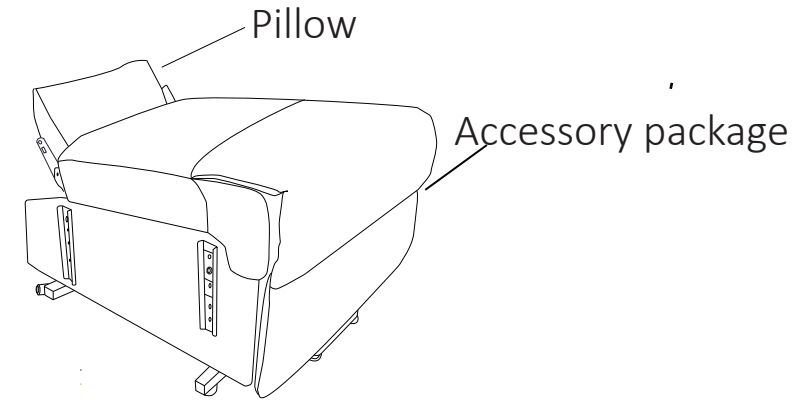
## Step 7 . Assemble the chair back.



- a. Align the locking clip.
- b. Slide the backrest into the chair base.

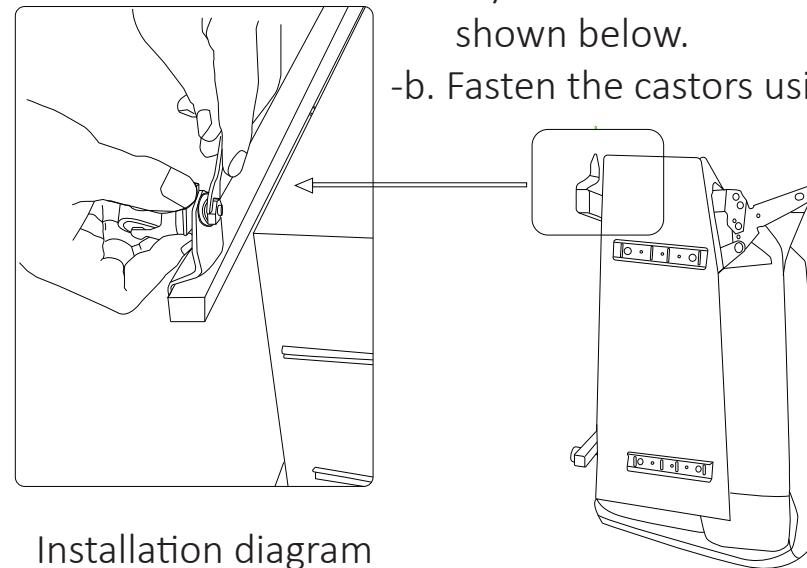
## Assembly Steps

### Step1. Level the chair base.



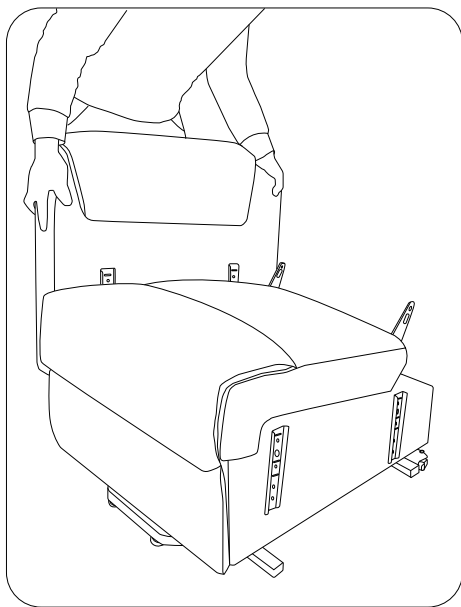
### Step 2. Fasten the castors on the rear of the chair.

- a. Lay the chair base evenly as shown below.
- b. Fasten the castors using a wrench.



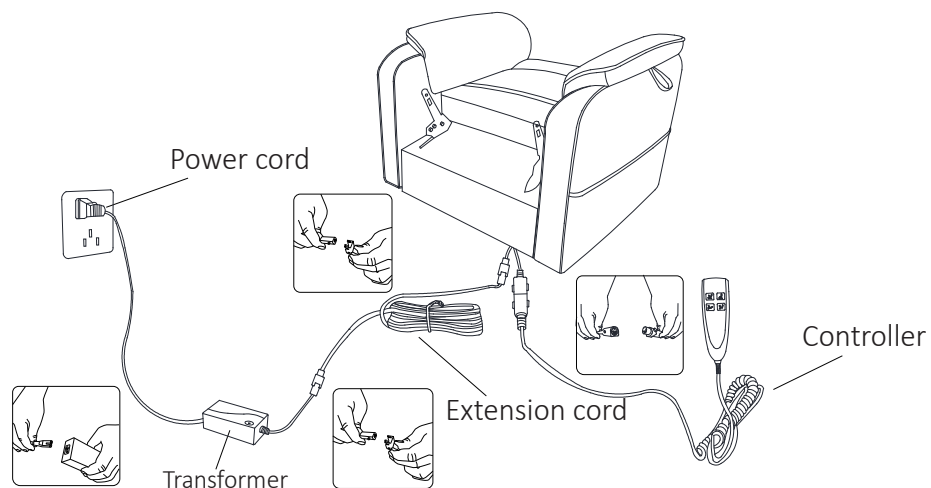
Installation diagram

### Step 3. Assemble the chair arms.



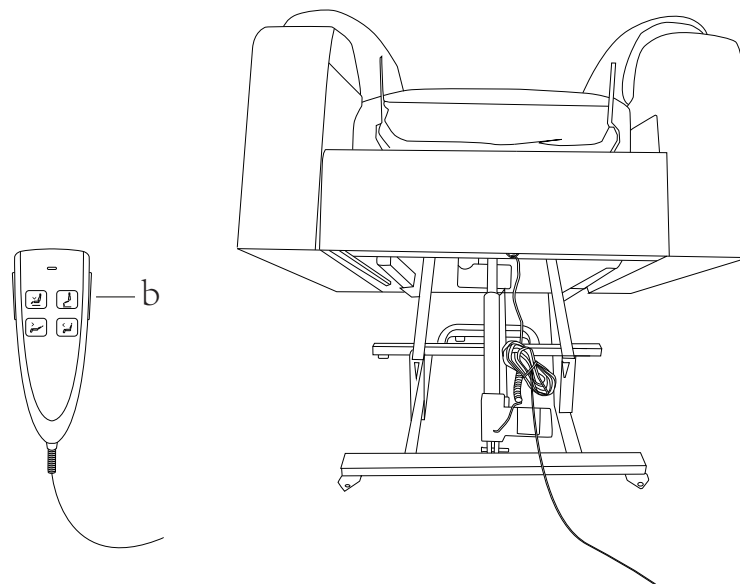
- a. Align the locking clip .
- b. Push the arm down evenly with both hands to the bottom.

### Step 4. Connect the cords.

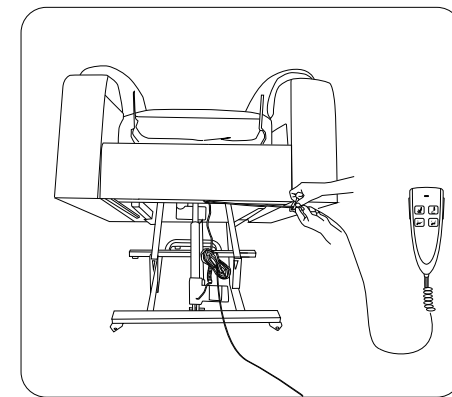
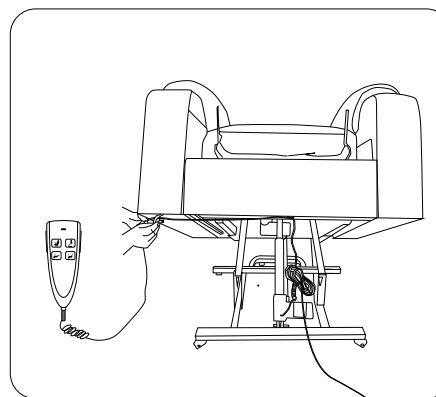


(The cord and transformer Controller are in the accessory package which is tied inside the chair base!)

### Step 5. Arrange the position of controller.



- a. Press this "b" button to lift chair in the highest position as show above.
- b. Customer can choose to place the controller on the left or right side of the chair according to their preference as show below.



# User Manual

Lift chair series-9188

