

# KAIA

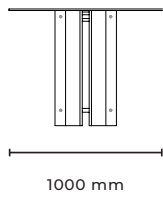
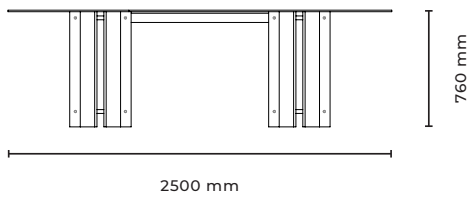
## SALONE TABLE

### INSTALLATION MANUAL

#### SALONE TABLE

Material  
Dimension

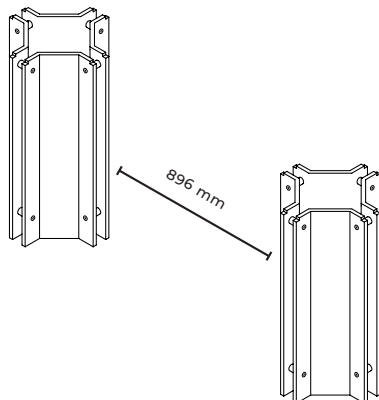
Aluminium  
2500 x 1000 x 760 mm



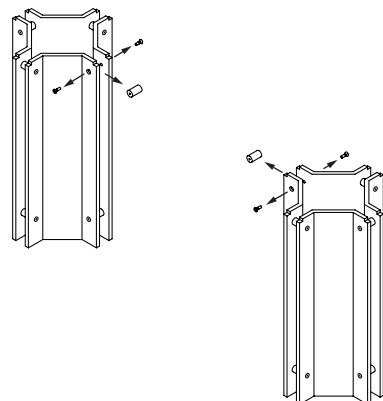
#### INSTALLATION

1. Set the table legs apart at the specified distance
2. Remove the upper screws and the center piece on the sides facing each other.
3. Insert the center pieces into the beam and place it between the table legs.
4. Affix the screws to the table legs and fix the beam in place.
5. Place the table top on the legs.

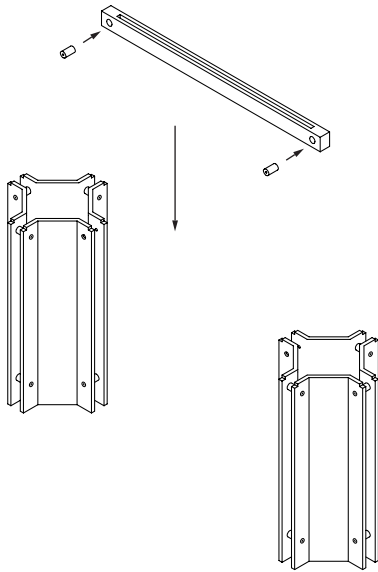
#### STEP 1 FRONT VIEW



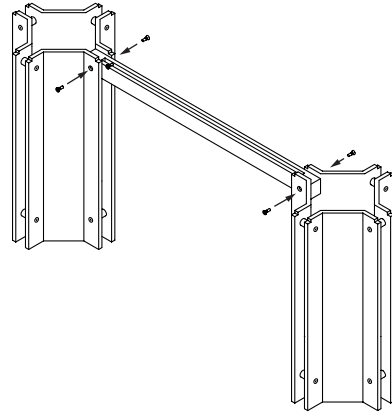
#### STEP 2 FRONT VIEW



**STEP 3 FRONT VIEW**



**STEP 4 FRONT VIEW**



**STEP 5 FRONT VIEW**

