

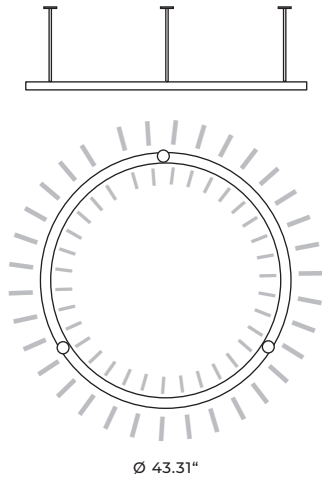
KAIA

RIO

INSTALLATION MANUAL

RIO

In and Out
Ceiling/Wall



Type

Material

Environment

Stem Length

Dimensions

Weight

Certification

Lamping

Ceiling / Wall light

Solid brass, acrylic

Indoors

3.94 - 19.69"

Ø 43.31 x 1.97 x 1.34"

30.15 lb

IP20 CE; ETL US/CSA Canada

LED technology, 24 V*, Warm White

2700 K, 5900 lm, Energy Class A ;

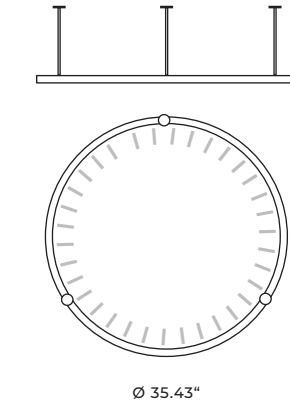
Lifetime 60 000 h.

LED Watt

63 W

RIO

In Ceiling/Wall



Type

Material

Environment

Stem Length

Dimensions

Weight

Certification

Lamping

Ceiling / Wall light

Solid brass, acrylic

Indoors

3.94 - 19.69"

Ø 35.43 x 1.06 x 0.98"

11.02 lb

IP20 CE; ETL US/CSA Canada

LED technology, 24 V*, Warm White

2700 K, 5030 lm, Energy Class A;

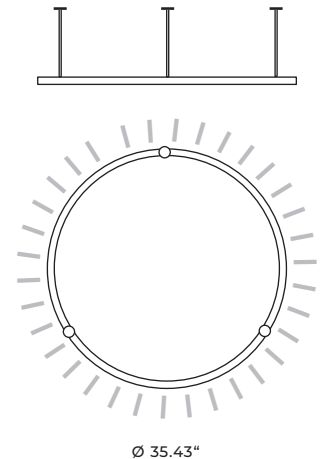
Lifetime 60 000 h

LED Watt

42 W

RIO

Out Ceiling/Wall



Type

Material

Environment

Stem Length

Dimensions

Weight

Certification

Lamping

Ceiling / Wall light

Solid brass, acrylic

Indoors

3.94 - 19.69"

Ø 35.43 x 1.06 x 0.98"

11.02 lb

IP20 CE; ETL US/CSA Canada

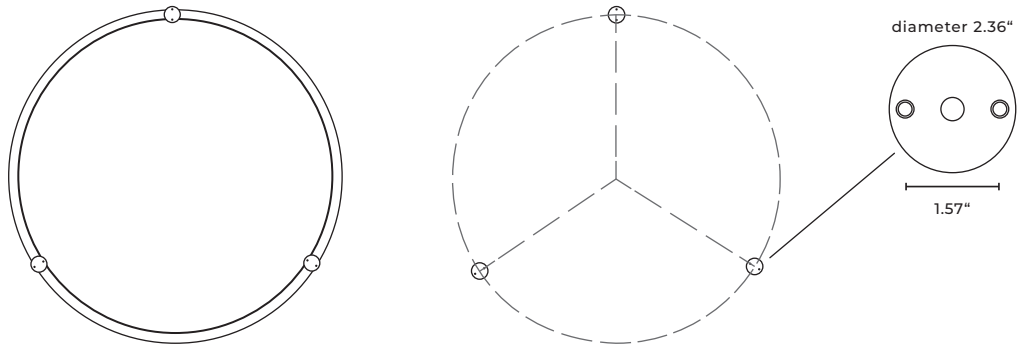
LED technology, 24 V*, Warm White

2700 K, 6835 LED lm, Energy Class

A; Lifetime 60 000 h.

LED Watt

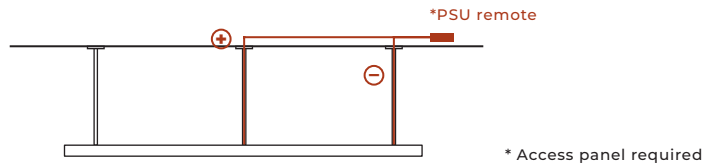
42 W



RIO IN/OUT pitch circle diameter 34.63"; 3x120°
 RIO IN&OUT pitch circle diameter 41.28"; 3x120°

RIO

Mounting Options



ATTENTION | Wire marked with red is conducting.

The maximum distance from the linear led of the ring to the PSU is 118.11".
 For any longer distance please contact sales@kaialighting.com.

CARE INSTRUCTIONS

1. Use a soft dry cloth to ensure a fingerprint free surface. We recommend the use of micro fibre cloths.
 2. Warning: do not use alcohol or other solvents for cleaning.
- For further information see attached care instructions.

DIMMING OPTIONS

Dimming options are available on request (Phase Cut, Bluetooth (Casambi), 1-10 V, Dali, RemoteControl). Optional: Dim to warm, 2500 - 3000K - for more information please contact sales@kaialighting.com. Lighting control system specifications should be clarified before placing the order.

* Chandelier comes with an external power supply unit as a standard; dimming is optional. Please contact sales@kaialighting.com for further information on dimmers, transformers etc. Please note KAIA Ltd cannot take any responsibility for the connection with your dimming or central control system. It is the customer's responsibility to ensure the compatibility with their systems.

** Lighting fixtures designed for the indoor environment up to 75° F.

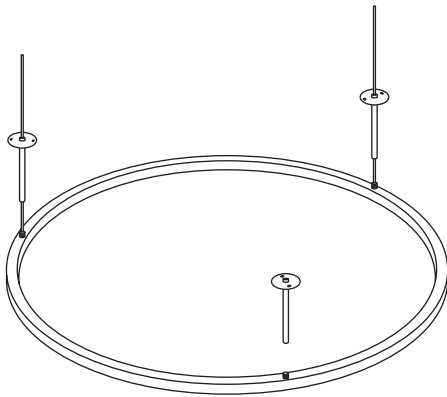
INSTALLATION

Before commencing installation ensure the relevant mains supply has been safely isolated/disconnected. Installation shall be carried out by a qualified electrician only. Ensure all electrical connections are tight with no loose strands, including factory made connections. The mains power must only be switched on once the fitting has been electrically connected to the driver.

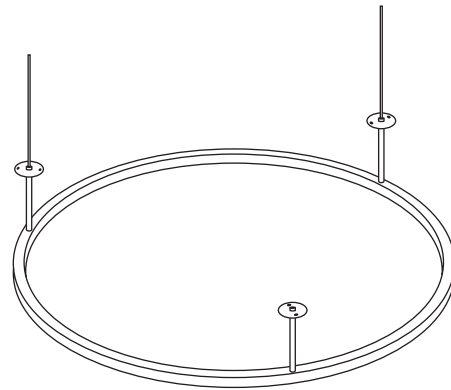
Before installation it needs to be guaranteed that the existing ceiling/wall/construction is suitable for the weight of the installed chandelier.

1. Feed the cables through the mounting brackets.
2. Tighten the stems firmly onto the
3. Feed the cables through the ceiling. Connect the unit to the mains.
Please refer to Dimmer Unit installation manual if you connect the fitting to the dimming system.
4. Fix the ring to the ceiling.

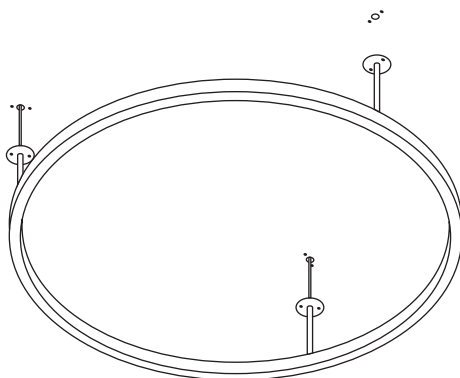
STEP 1



STEP 2



STEP 3



STEP 4

