

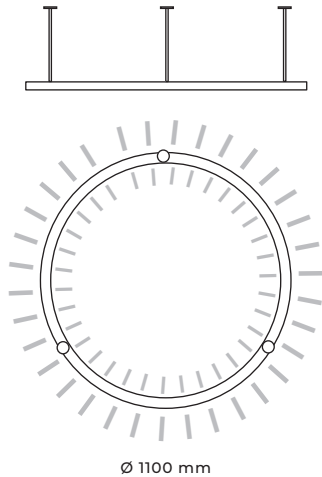
KAIA

RIO

INSTALLATION MANUAL

RIO

In and Out
Ceiling/Wall

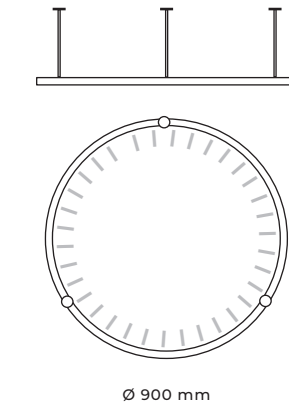


Type Ceiling / Wall light
Material Solid brass, acrylic
Environment Indoors
Stem Length 100 - 500 mm
Dimensions \varnothing 1100 x 50 x 34 mm
Weight 10.5kg
Certification IP20 CE
Lamping LED technology, 24 V*, Warm White 2700 K, 5540 source lumens, Energy Class A, Lifetime 60 000 h.

LED Watt 63 W

RIO

In Ceiling/Wall

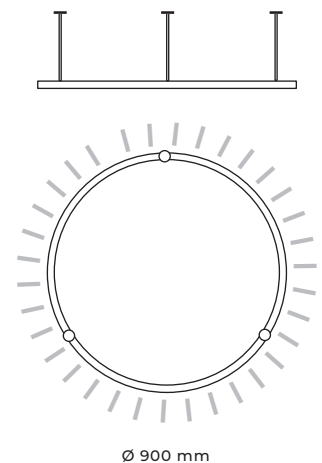


Type Ceiling / Wall light
Material Solid brass, acrylic
Environment Indoors
Stem Length 100 - 500 mm
Dimensions \varnothing 900 x 27 x 25 mm
Weight 5 kg
Certification IP20 CE
Lamping LED technology, 24 V*, Warm White 2700 K, 4070 source lumens, Energy Class A; Lifetime 60 000 h.

LED Watt 42 W

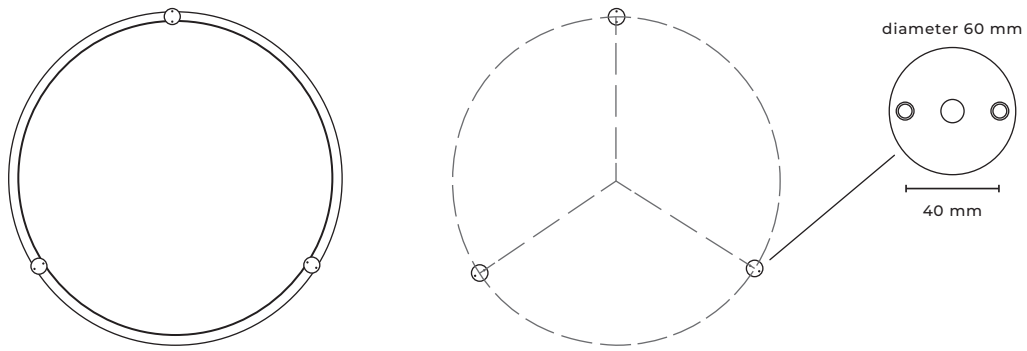
RIO

Out Ceiling/Wall



Type Ceiling / Wall light
Material Solid brass, acrylic
Environment Indoors
Stem Length 100 - 500 mm
Dimensions \varnothing 900 x 27 x 25 mm
Weight 5 kg
Certification IP20 CE
Lamping LED technology, 24 V*, Warm White 2700 K, 4070 source lumens, Energy Class A; Lifetime 60 000 h.

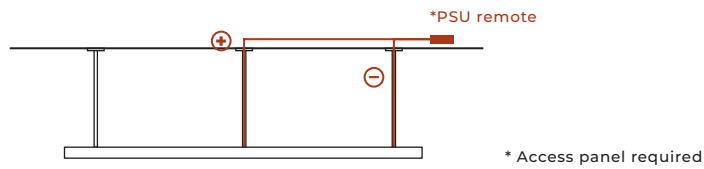
LED Watt 42 W



RIO IN/OUT pitch circle diameter 879,5mm; 3x120°
 RIO IN&OUT pitch circle diameter 1048,2mm; 3x120°

RIO

Mounting Options



ATTENTION | Wire marked with red is conducting.

The maximum distance from the linear led of the ring to the PSU is 3 meters.
 For any longer distance please contact sales@kaialighting.com.

CARE INSTRUCTIONS

1. Use a soft dry cloth to ensure a fingerprint free surface. We recommend the use of micro fibre cloths.
 2. Warning: do not use alcohol or other solvents for cleaning.
- For further information see attached care instructions.

DIMMING OPTIONS

Dimming options are available on request (Phase Cut, Bluetooth (Casambi), 1-10 V, Dali, RemoteControl). Optional: Dim to warm, 2500 - 3000K - for more information please contact sales@kaialighting.com. Lighting control system specifications should be clarified before placing the order.

* Chandelier comes with an external power supply unit as a standard; dimming is optional. Please contact sales@kaialighting.com for further information on dimmers, transformers etc. Please note KAIA Ltd cannot take any responsibility for the connection with your dimming or central control system. It is the customer's responsibility to ensure the compatibility with their systems.

** Lighting fixtures designed for the indoor environment up to 24° Celsius.

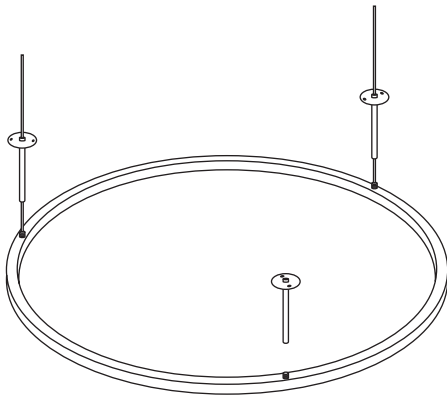
INSTALLATION

Before commencing installation ensure the relevant mains supply has been safely isolated/disconnected. Installation shall be carried out by a qualified electrician only. Ensure all electrical connections are tight with no loose strands, including factory made connections. The mains power must only be switched on once the fitting has been electrically connected to the driver.

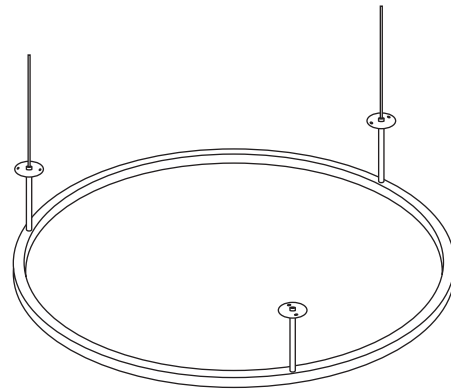
Before installation it needs to be guaranteed that the existing ceiling/wall/construction is suitable for the weight of the installed chandelier.

1. Feed the cables through the mounting brackets.
2. Tighten the stems firmly onto the
3. Feed the cables through the ceiling. Connect the unit to the mains.
Please refer to Dimmer Unit installation manual if you connect the fitting to the dimming system.
4. Fix the ring to the ceiling.

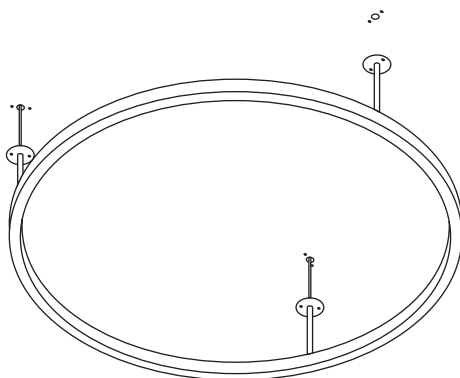
STEP 1



STEP 2



STEP 3



STEP 4

