

# KAIA

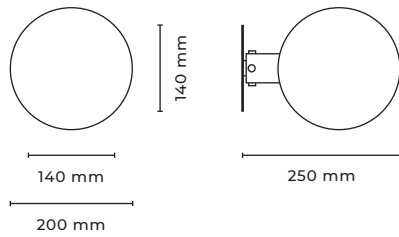
## ORA

### INSTALLATION MANUAL

MAINLY SUITABLE FOR INSTALLATION ON PLASTER WALLS AND JOINERY. FOR FURTHER INFORMATION PLEASE CONTACT SALES@KAIALIGHTING.COM.

#### ORA

Ceiling/Wall  
140



Type

Material

Environment

Dimensions

Weight

Certification

Lamping

Ceiling / Wall light

Solid brass

Indoors

140 x 140 x 250 mm;

Glass Ø 200 mm

2 kg

IP20 CE

Filament:

E14 115mm Tube Light Bulb,

clear, 25W, 2200 K, dimmable

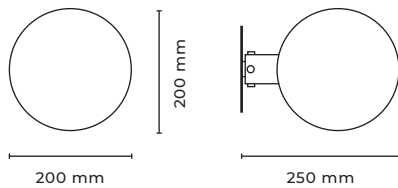
OR Led: E14 115mm Tube

Light Bulb, clear, 2.7 W (250lm),

2600K, dimmable

#### ORA

Ceiling/Wall  
200



Type

Material

Environment

Dimensions

Weight

Certification

Lamping

Ceiling / Wall light

Solid brass

Indoors

200 x 200 x 250 mm;

Glass Ø 200mm

2 kg

IP20 CE

Filament:

E14 115mm Tube Light Bulb,

clear, 25W, 2200 K, dimmable

OR Led: E14 115mm Tube

Light Bulb, clear, 2.7 W (250lm),

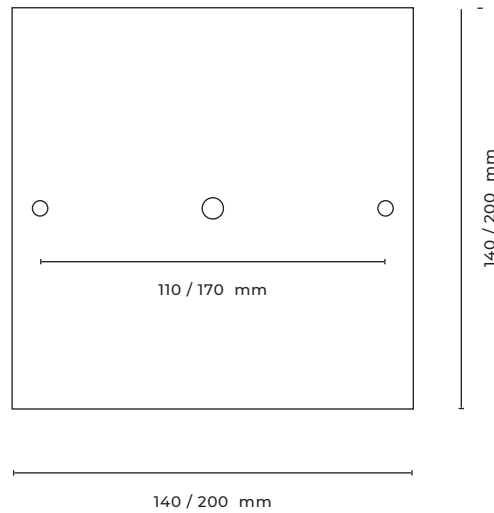
2600K, dimmable

\* Please note the glass is mouth blown. The crystal glass might have some natural imperfections which are a result of the glass manufacturing process.

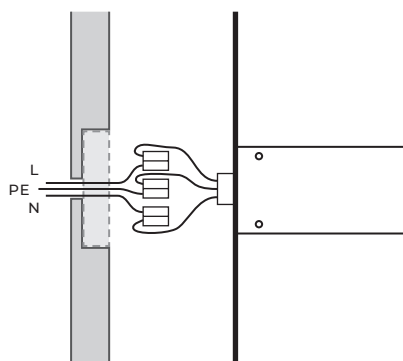
## INSTALLATION

Before commencing installation ensure the relevant mains supply has been safely isolated/disconnected. Installation should be carried out by a qualified electrician. Ensure all electrical connections are tight with no loose strands, including factory made connections. The Mains power must only be switched on once the fitting has been electrically connected to the driver.

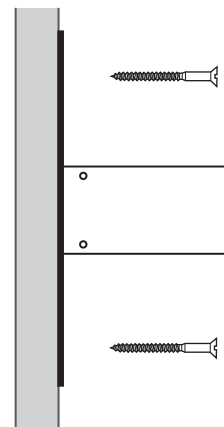
1. Connect the unit to the mains.
2. Affix the plate to the ceiling/wall with 2 screws (hole size max. 4mm). Screws and wall plug provided.
3. Screw the bulb into the bulb holder. Slide the glass over the jacket and fix it with 4 screws



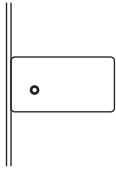
### STEP 1 SIDE VIEW



### STEP 2 SIDE VIEW

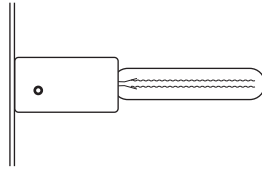


### STEP 3.1



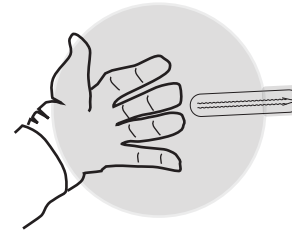
Adjust the adjustable screws to the glass ball opening. There has to be a minimum of 1 mm distance between the metal and the glass.

### STEP 3.2



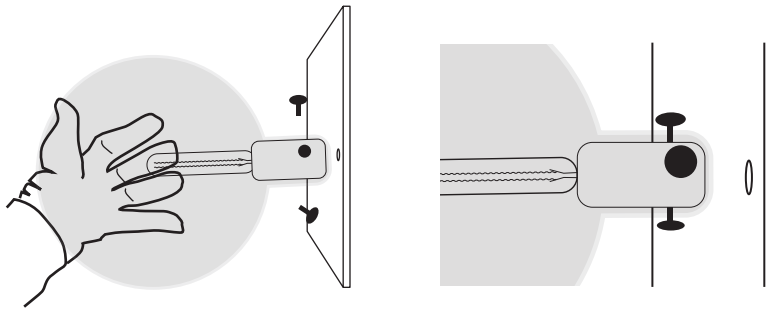
Screw in all bulbs, then switch on the circuit and test if the bulbs are functioning. With transportation the lampholders might get interfered and the bulb will not connect correctly. In this case please **disconnect the lighting fixture from the circuit**, bend the contact brackets slightly to ensure that the bulbs and the lampholder are connected.

### STEP 3.3



Carefully secure the glass sphere.

### STEP 3.4



Carefully fix loosely with the supplied knurled-head screw by hand. Do not use a screw-driver. Do not screw too tightly, ensure there is at least 1 mm tolerance between the glass and the screw.

### GLOVES

You have chosen an oiled and waxed finish for your lighting fixtures, please make sure that these will only be touched with provided gloves and that the Care Instructions will be followed strictly.

### CARE INSTRUCTIONS

1. Use a soft dry cloth to ensure a fingerprint free surface. We recommend the use of micro fibre cloths.
2. Warning: do not use alcohol or other solvents for cleaning.
3. For destinations with Mediterranean climate we highly recommend a brushed and lacquered brass finish.

\* Due to the manufacturing process differences in the finish between the different brass parts might accrue.

\*\* Lighting fixtures designed for the indoor environment up to 24 ° C.