

KAIA

ORA ASYMMETRIC

INSTALLATION MANUAL

INSTALLATION

Before commencing installation ensure the relevant mains supply has been safely isolated/disconnected . Installation should be carried out by a qualified electrician. Ensure all electrical connections are tight with no loose strands, including factory made connections. The Mains power must only be switched on once the fitting has been electrically connected to the driver.

Please note, the chandelier has a rigid structure - the ring connectors are NOT adjustable!

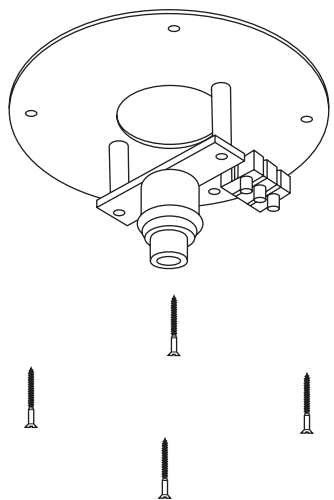
GLOVES

You have chosen an oiled and waxed finish for your lighting fixtures, please make sure that these will only be touched with provided gloves and that the Care Instructions will be followed strictly.

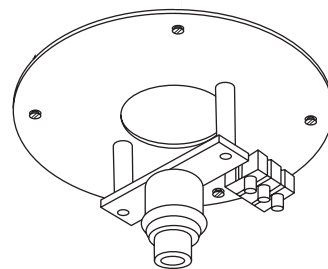
CARE INSTRUCTIONS

1. Use a soft dry cloth to ensure a fingerprint free surface. We recommend the use of micro fibre cloths.
2. Warning: do not use alcohol or other solvents for cleaning.
3. For destinations with Mediterranean climate we highly recommend a brushed and lacquered brass finish.

STEP 1

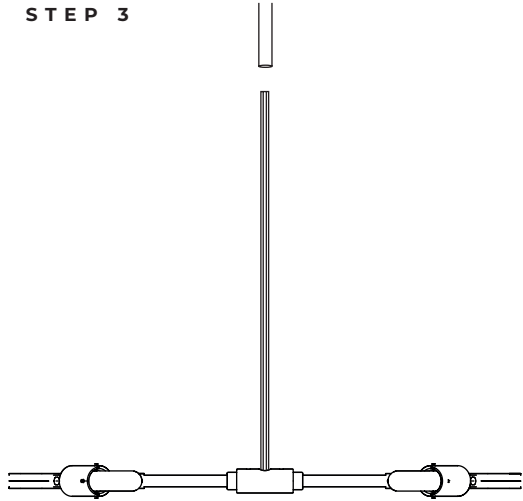


STEP 2

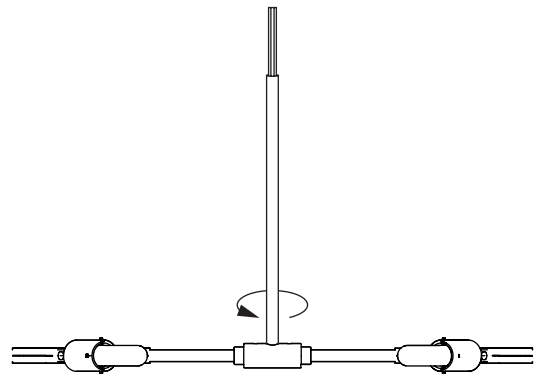


pitch circle
diameter 5,12" ; 4 x 90°

STEP 3

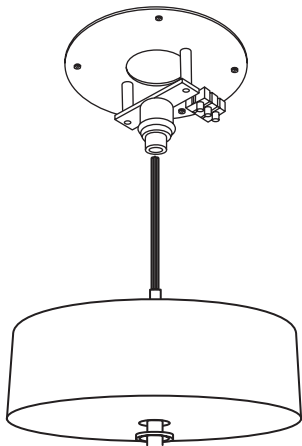


STEP 4

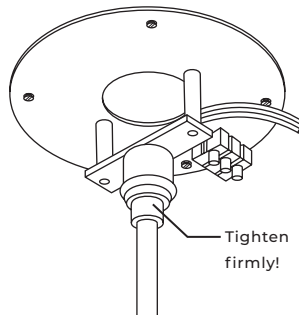


Tighten firmly!

STEP 5

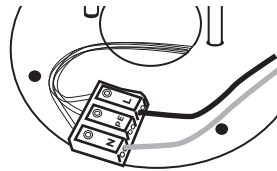
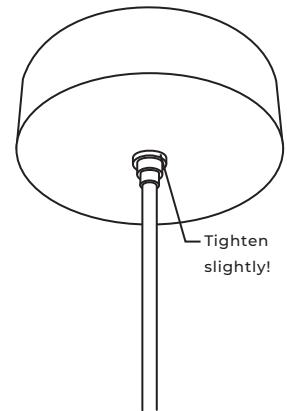


STEP 6

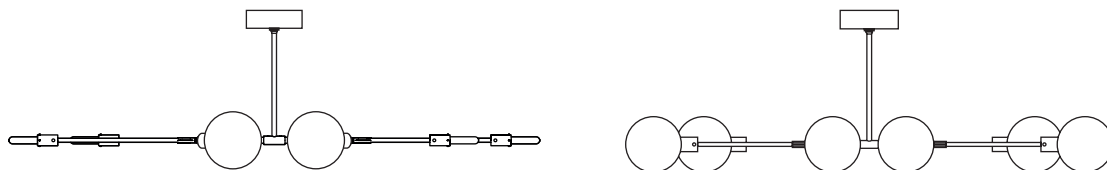


Please turn the upper screw until it is tight! Do not turn the lighting fixture itself

STEP 7



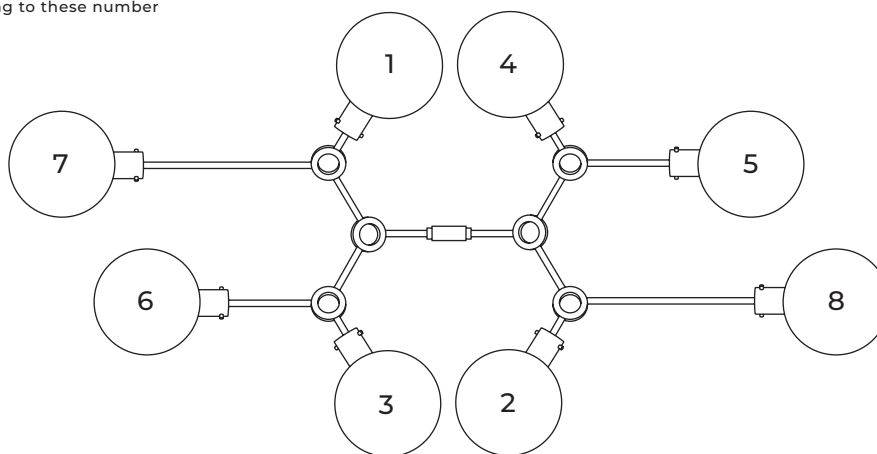
STEP 8



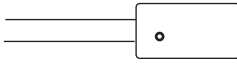
Mount the glass balls, starting from the inside to the outside.
How to attach the glasses see on the next page.

ORA ASYMMETRIC

View from above | Please arrange the
glass according to these number

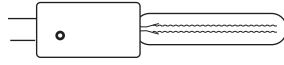


STEP 8.1



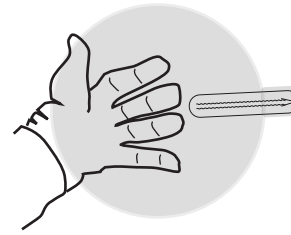
Adjust the adjustable screws to the glass ball opening. There has to be a minimum of 0,04" distance between the metal and the glass.

STEP 8.2



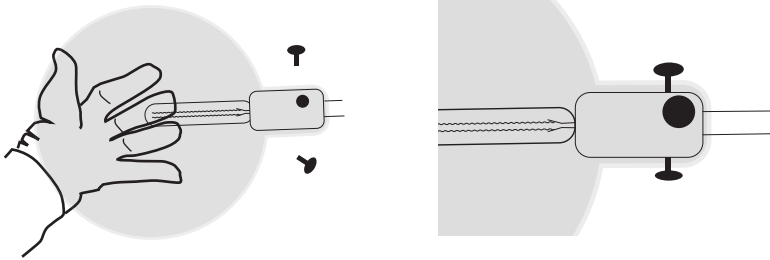
Screw in all bulbs, then switch on the circuit and test if the bulbs are functioning. With transportation the lampholders might get interfered and the bulb will not connect correctly. In this case please **disconnect the lighting fixture from the circuit**, bend the contact brackets slightly to ensure that the bulbs and the lampholder are connected.

STEP 8.3



Carefully secure the glass sphere.

STEP 8.4



Carefully fix loosely with the supplied knurled-head screw by hand. Do not use a screw-driver. Do not screw too tightly, ensure there is at least 1 mm tolerance between the glass and the screw.

* Due to the manufacturing process differences in the finish between the different brass parts might accrue.

** Lighting fixtures designed for the indoor environment up to 75 ° F.