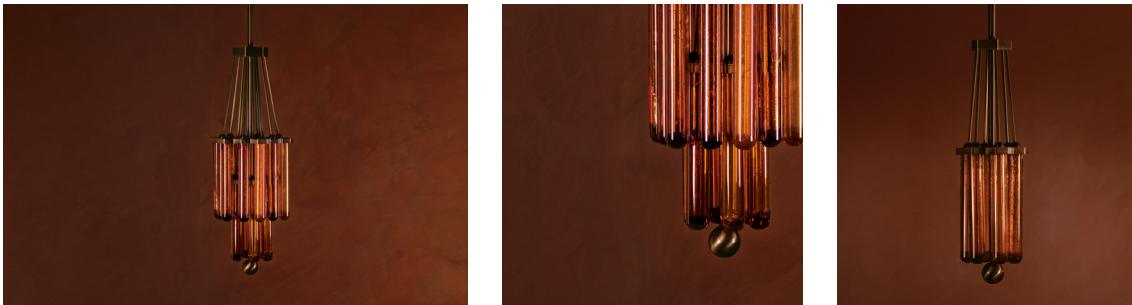


KAIA

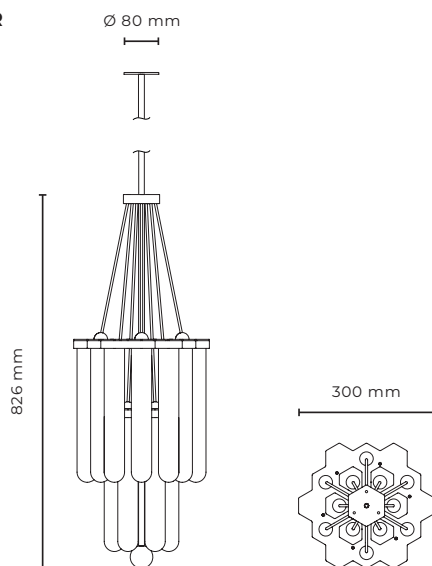
NEKTAR

Designed by Maximilian Prüfer
Munich / Augsburg 2023



Following our HIVE installation at the Weltmuseum in Vienna with concept artist Maximilian Prüfer (an awareness campaign about the worldwide insect decline), we developed our new edition series, NEKTAR. Inspired by the timeless shapes of Viennese secessionist chandeliers, these elegant pendants of resin filled laboratory glasses which symbolise the nectar of honey bees and cast a warm inviting glow

NEKTAR 18



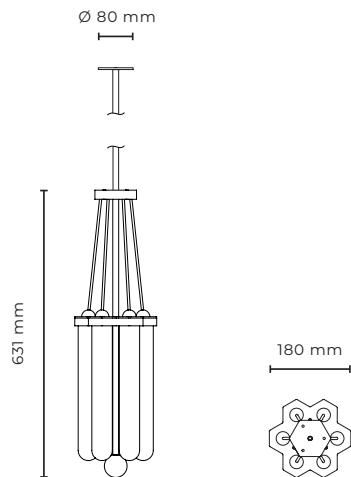
Type	Pendant light
Material	Brass & Glass
Environment	Indoors
Dimensions	826 x 300 mm / 32.51 x 11.81 "
Stem length	(can be customized)
Weight	- Kg / lb
Ceiling Rose	80 x 4 mm / Ø 3.14 x 0.15"
Certification	IP20 CE
Lamping	LED technology; 18x LED spots; dimmable

Standard finishes:

240 01 207	brushed, oiled and waxed brass
240 01 208	bronze
240 01 402	aged brass
240 01 202	brushed brass

NEKTAR

6



Type	Pendant light
Material	Brass & Glass
Environment	Indoors
Dimensions	631 x 180 mm / 22.87 x 7.08 "
Stem length	(can be customized)
Weight	- Kg / lb
Ceiling Rose	80 x 4 mm / Ø 3.14 x 1/6"
Certification	IP20 CE
Lamping	LED technology; 6x LED spots; dimmable

Standard finishes:

240 02 207	brushed, oiled and waxed brass
240 02 208	bronze
240 02 402	aged brass
240 02 202	brushed brass

* Please note the glass is mouth blown. The crystal glass might have some natural imperfections which are a result of the glass manufacturing process.

** For destinations with Mediterranean climate we highly recommend a brushed and lacquered brass finish.

KAIA
kaialighting.com