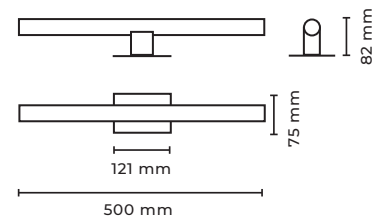


KAIA

INSTALLATION MANUAL

NEA

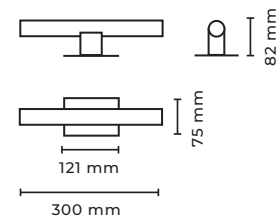
Wall / Ceiling
Plate 50



Type	Wall/ceiling light
Material	Solid brass
Environment	Indoors
Dimensions	500 x 75 x 82mm
Weight	0.4 kg
Certification	IP20 CE
Bathroom	Zone 3
EU/UK	230 V
Lamps	max. 60 W, S14d, our suggestion: 4.9 W, 1x linear opal LED, 2700 K, Mains (Phase) dimmable* EPREL ID 566201,522907

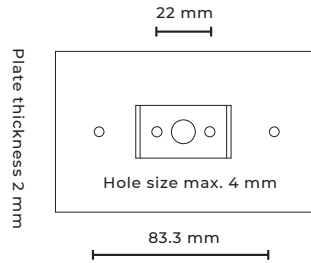
NEA

Wall / Ceiling
Plate 30

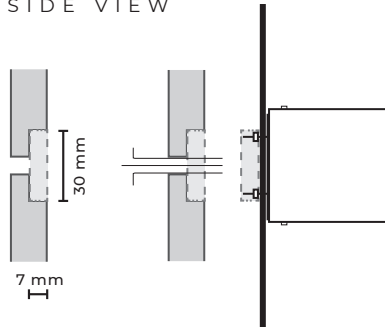


Type	Wall/ceiling light
Material	Solid brass
Environment	Indoors
Dimensions	300 x 75 x 82mm
Weight	0.4 kg
Certification	IP20 CE
Bathroom	Zone 3
EU/UK	230 V
Lamps	max. 60 W, S14d, our suggestion: 4.9 W, 1x linear opal LED, 2700 K, Mains (Phase) dimmable* EPREL ID 566201,522907

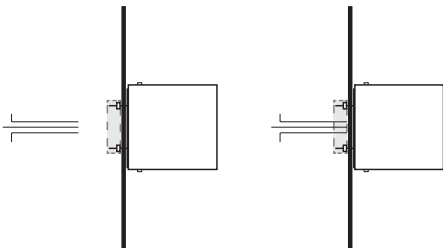
STEP 1 FRONT VIEW



SIDE VIEW



STEP 2 SIDE VIEW



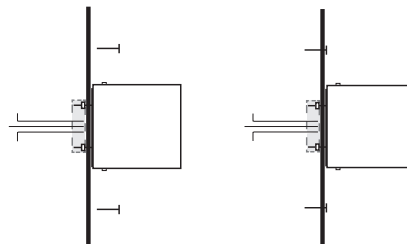
INSTALLATION

Before commencing installation ensure the relevant mains supply has been safely isolated/disconnected. Installation should be carried out by a qualified electrician. Ensure all electrical connections are tight with no loose strands, including factory made connections. The Mains power must only be switched on once the fitting has been electrically connected to the driver.

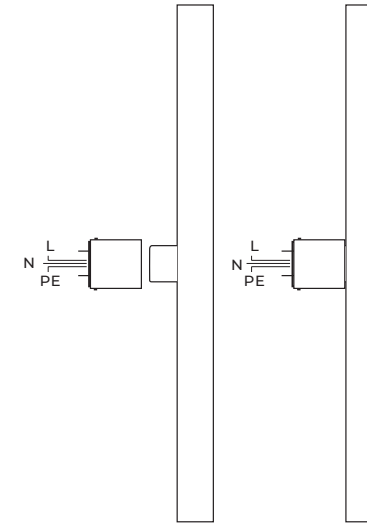
1. Make sure to have sufficiently large room (30 mm x 7 mm) for the screws and wiring on the backside of the plate
2. A. Pull the wiring through the center hole.
B. Connect the unit to the mains.
3. Affix the plate to the wall/ceiling with 2 screws (hole size max. 4 mm).
4. Gently push the socket into the lamp holder.

Mainly suitable for installation onto plaster walls and joinery. If no plaster wall and joinery is available a frame can be added. For further information please contact sales@kaialighting.com.

STEP 3 SIDE VIEW



STEP 4 SIDE VIEW



LAMP INSTALLATION

- Before commencing installation ensure the relevant mains supply has been safely isolated/disconnected.
- Use supplied fabric gloves to prevent any stains on the surface of the lamp.
- Due to risk of glass fracture handle the lamp with care!
- Whilst applying pressure push the socket into the lamp holder in the marked place. Remove the lamp from the lamp holder carefully with both hands (see graphic).

CARE INSTRUCTIONS

* On very rare occasions, these lamps may appear to have a slight buzzing or flickering. As is the case with all retro LED lamps, this is likely caused by a number of outside influences such as incorrect installation, wiring, dimming or transformers and in some instances low electrical resistance.

** Please contact sales@kaialighting.com for further information on dimmers etc. Please note KAIA Ltd cannot take any responsibility for the connection with your dimming or central control system. It is the customer's responsibility to ensure the compatibility with their systems.