

# KAIA

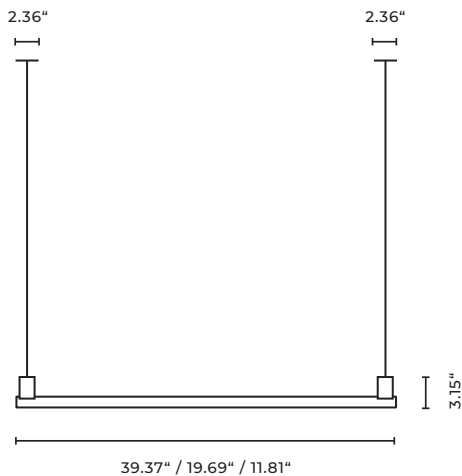
## ME A

### INSTALLATION MANUAL

**MAINLY SUITABLE FOR INSTALLATION ON PLASTER WALLS AND JOINERY.  
FOR FURTHER INFORMATION PLEASE CONTACT SALES@KAIALIGHTING.COM.**

#### ME A

Suspension  
100



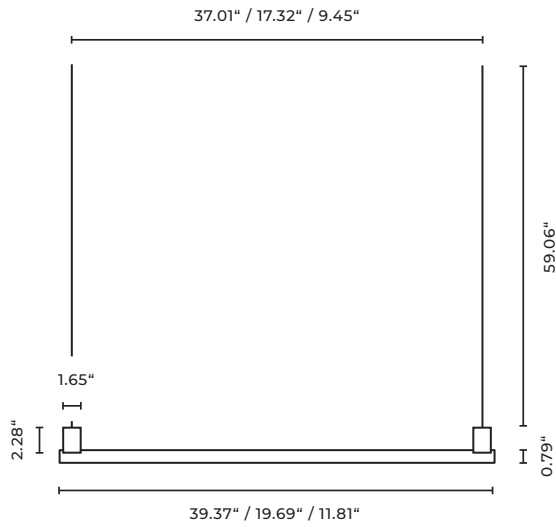
Type	Suspension light
Material	Solid brass
Environment	Indoors
Cable Length	59.06"
Dimensions	39.37/19.69/11.81" x 3.15"
Weight	2.43 lb
Certification	IP20 CE; ETL US/CSA Canada
US	110V
Ceiling Rose	2 x round flat Ø 2.36"
Lamps	Linear opal LED S14s*, 13.5W, 2700 K, Mains (Phase) dimmable, 1000 lm, energy class A

#### CARE INSTRUCTIONS

\* On very rare occasions, these lamps may appear to have a slight buzzing or flickering. As is the case with all retro LED lamps, this is likely caused by a number of outside influences such as incorrect installation, wiring, dimming or transformers and in some instances low electrical resistance.

\*\* Please contact sales@kaialighting.com for further information on dimmers etc. Please note KAIA Ltd cannot take any responsibility for the connection with your dimming or central control system. It is the customer's responsibility to ensure the compatibility with their systems.

### STEP 1 FRONT VIEW



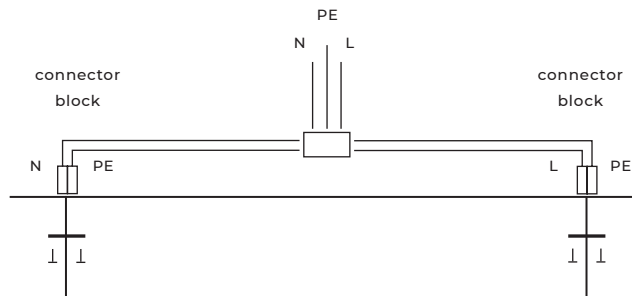
### INSTALLATION

Before commencing installation ensure the relevant mains supply has been safely isolated/ disconnected. Installation should be carried out by a qualified electrician. Ensure all electrical connections are tight with no loose strands, including factory made connections.

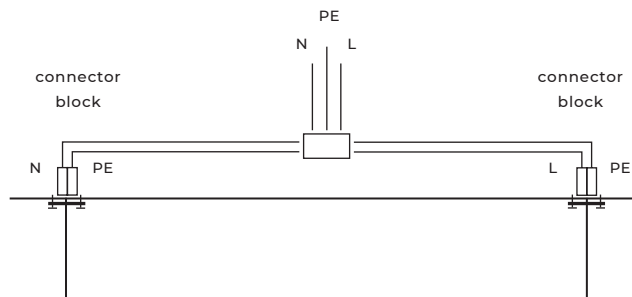
1. Prepare a 6 mm openings in the ceiling (distance between the points 940mm).
2. Feed the cable through the hole. Make the connections, please ensure that both Earth Wires are connected.
3. Connect the unit to the mains.
4. Place the lamp in the luminiere.

Mainly suitable for installation onto plaster walls and joinery. If no plaster ceiling and joinery is available a frame can be added. For further information please see NEA Plate Mounting Instructions and contact [sales@kaialighting.com](mailto:sales@kaialighting.com).

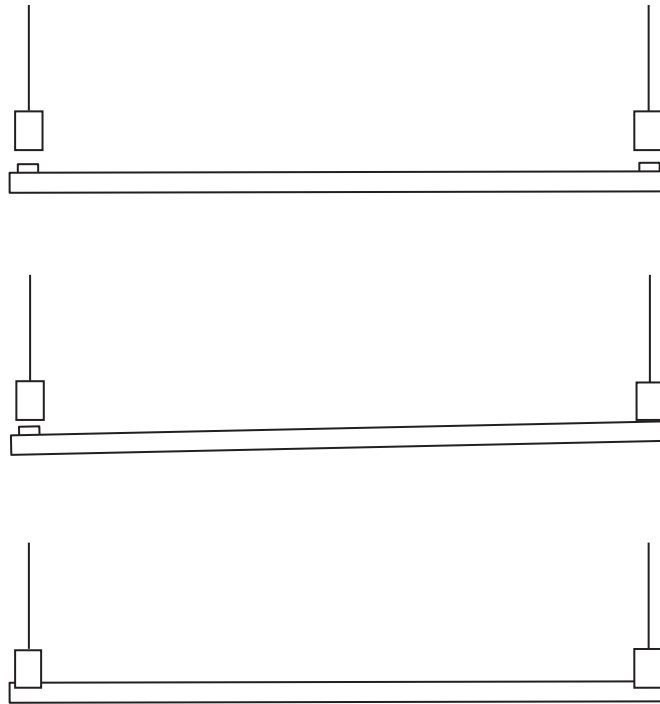
### STEP 2 FRONT VIEW



### STEP 3 FRONT VIEW



#### STEP 4 SIDE VIEW



#### LAMP INSTALLATION

- Before commencing installation ensure the relevant mains supply has been switched off.
- Use supplied fabric gloves to prevent any stains on the surface of the lamp.
- Due to risk of glass fracture handle the lamp with care!
- Whilst applying pressure push the socket into the lamp holder in the marked place.  
Remove the lamp from the lamp holder carefully with both hands.