

KAIA

ME A

INSTALLATION MANUAL

MAINLY SUITABLE FOR INSTALLATION ON PLASTER WALLS AND JOINERY.
FOR FURTHER INFORMATION PLEASE CONTACT SALES@KAIALIGHTING.COM.

ME A

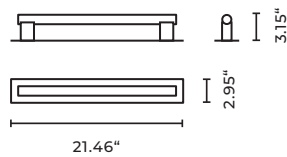
Ceiling / Wall Plate
100



Type	Wall/ceiling light
Material	Solid brass
Environment	Indoors
Dimensions	41.14 x 2.95 x 3.15"
Weight	3.53 lb
Certification	IP20 CE; ETL US/CSA Canada
Bathroom	Zone 3
US	110V
Lamps	Linear opal LED S14s*, 13.5W, 2700 K, Mains (Phase) dimmable, 1000 lm, energy class A

ME A

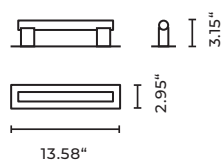
Ceiling / Wall Plate
50



Type	Wall/ceiling light
Material	Solid brass
Environment	Indoors
Dimensions	21.46 x 2.95 x 3.15"
Weight	2.43 lb
Certification	IP20 CE; ETL US/CSA Canada
Bathroom	Zone 3
US	110V
Lamps	Glass lamps not available. Please inquire.

ME A

Ceiling / Wall Plate
30

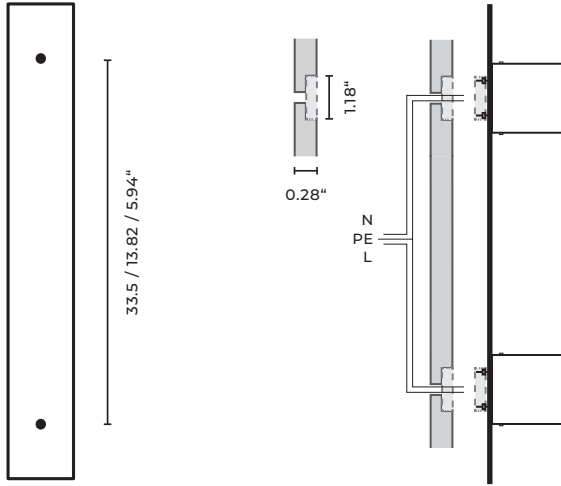


Type	Wall/ceiling light
Material	Solid brass
Environment	Indoors
Dimensions	13.58 x 2.95 x 3.15"
Weight	1.32 lb
Certification	IP20 CE; ETL US/CSA Canada
Bathroom	Zone 3
US	110V
Lamps	Glass lamps not available. Please inquire.

INSTALLATION

Before commencing installation ensure the relevant mains supply has been safely isolated/disconnected. Installation should be carried out by a qualified electrician. Ensure all electrical connections are tight with no loose strands, including factory made connections.

STEP 1 SIDE VIEW

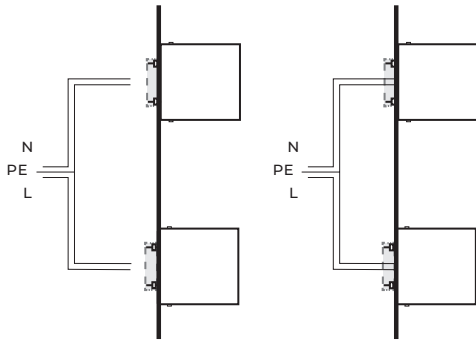


1. Make sure to have sufficiently large room (1.18 x 0.28") for the screws and wiring on the backside of the plate
2. A. Pull the wiring through the center hole.
B. Connect the units to the mains.
C. Ensure that both Earth Wires are connected.
3. Affix the plate to the wall/ceiling with 2 screws (hole size max. 0.16").
4. Gently push the socket into the lamp holder.

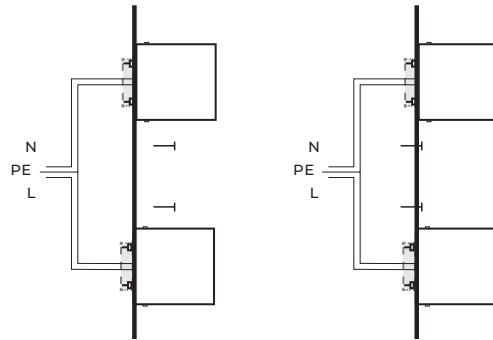
Mainly suitable for installation onto plaster walls and joinery. If no plaster wall and joinery is available a frame can be added.

For further information please contact sales@kaialighting.com.

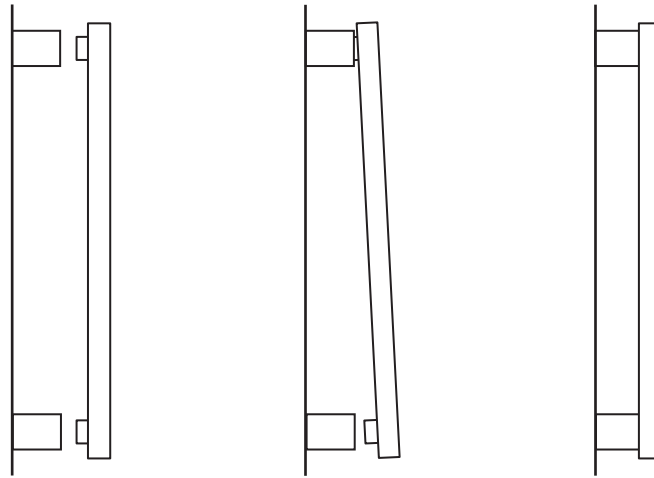
STEP 2 SIDE VIEW



STEP 3 SIDE VIEW



STEP 4 SIDE VIEW



LAMP INSTALLATION

- Before commencing installation ensure the relevant mains supply has been switched off.
- Use supplied fabric gloves to prevent any stains on the surface of the lamp.
- Due to risk of glass fracture handle the lamp with care!
- Whilst applying pressure push the socket into the lamp holder in the marked place. Remove the lamp from the lamp holder carefully with both hands.

CARE INSTRUCTIONS

1. Use a soft dry cloth to ensure a fingerprint free surface. We recommend the use of micro fibre cloths.
2. Warning: do not use alcohol or other solvents for cleaning.

* On very rare occasions, these lamps may appear to have a slight buzzing or flickering. As is the case with all retro LED lamps, this is likely caused by a number of outside influences such as incorrect installation, wiring, dimming or transformers and in some instances low electrical resistance.

** Please contact sales@kaialighting.com for further information on dimmers etc. Please note KAIA Ltd cannot take any responsibility for the connection with your dimming or central control system. It is the customer's responsibility to ensure the compatibility with their systems.