

# KAIA

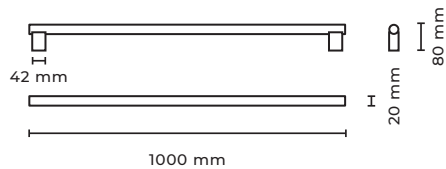
## ME A

### INSTALLATION MANUAL

**ATTENTION! PRELIMINARY WORK IS NECESSARY HERE. TWO CURRENT OUTPUTS ARE REQUIRED. FOR FURTHER INFORMATION PLEASE CONTACT SALES@KAIALIGHTING.COM**

#### ME A

Wall / Ceiling  
100



Type

Wall/ceiling light

Material

Solid brass

Environment

Indoors

Dimensions

1000 x 20 x 80 mm

Weight

0.6 kg

Certification

IP20 CE

Bathroom

Zone 3

EU/UK

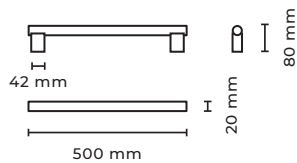
230 V

Lamps

max. 120W, S14s,  
our suggestion:  
1 x linear opal LED, 2700 K,  
Mains ( Phase) dimmable,  
EPREL-ID: 566195

#### ME A

Wall / Ceiling  
50



Type

Wall/ceiling light

Material

Solid brass

Environment

Indoors

Dimensions

500 x 20 x 80 mm

Weight

0.6 kg

Certification

IP20 CE

Bathroom

Zone 3

EU/UK

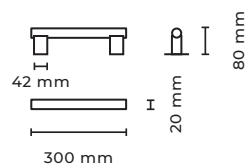
230 V

Lamps

max. 60 W, S14s,  
our suggestion:  
1x linear opal LED, 2700 K,  
Mains (Phase) dimmable,  
EPREL-ID: 566200

#### ME A

Wall / Ceiling  
30



Type

Wall/ceiling light

Material

Solid brass

Environment

Indoors

Dimensions

300 x 20 x 80 mm

Weight

0.6 kg

Certification

IP20 CE

Bathroom

Zone 3

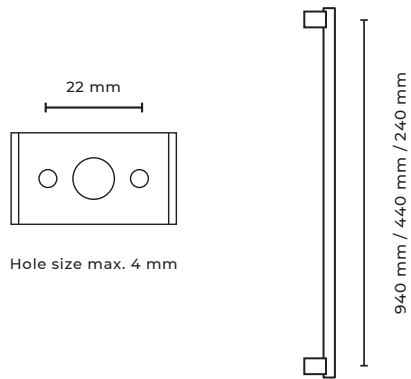
EU/UK

230 V

Lamps

max. 35 W, S14s,  
our suggestion:  
1x linear opal LED, 2700 K,  
Mains (Phase) dimmable,  
EPREL ID 566198

### STEP 1

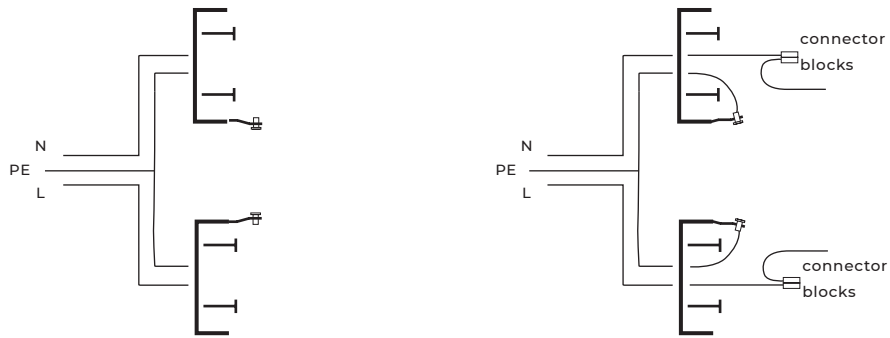


### INSTALLATION

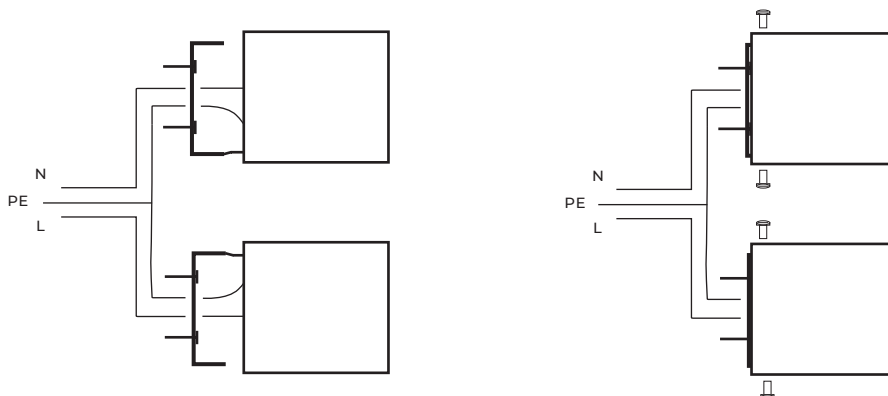
Before commencing installation ensure the relevant mains supply has been safely isolated/disconnected. Installation should be carried out by a qualified electrician. Ensure all electrical connections are tight with no loose strands, including factory made connections.

1. Remove the bases from the installation brackets.
2. Affix the brackets to the ceiling/wall with 2 screws each (hole size max. 4 mm). Connect the units to the mains.
3. Fix the units back on its base and tighten 4 screws on the sides.
4. Place the lamp in the luminaire.

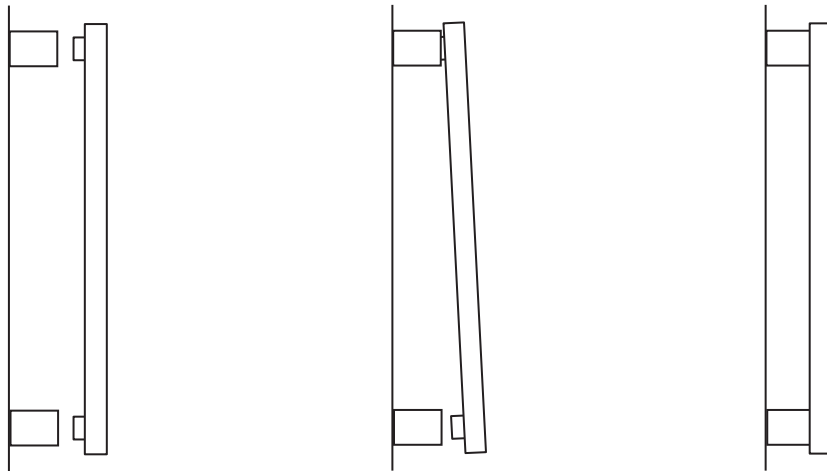
### STEP 2 SIDE VIEW



### STEP 3 SIDE VIEW



#### STEP 4 SIDE VIEW



#### LAMP INSTALLATION

- Before commencing installation ensure the relevant mains supply has been switched off.
- Use supplied fabric gloves to prevent any stains on the surface of the lamp.
- Due to risk of glass fracture handle the lamp with care!
- Whilst applying pressure push the socket into the lamp holder in the marked place. Remove the lamp from the lamp holder carefully with both hands.

#### CARE INSTRUCTIONS

\* On very rare occasions, these lamps may appear to have a slight buzzing or flickering. As is the case with all retro LED lamps, this is likely caused by a number of outside influences such as incorrect installation, wiring, dimming or transformers and in some instances low electrical resistance.

\*\* Please contact [sales@kaialighting.com](mailto:sales@kaialighting.com) for further information on dimmers etc. Please note KAIA Ltd cannot take any responsibility for the connection with your dimming or central control system. It is the customer's responsibility to ensure the compatibility with their systems.