

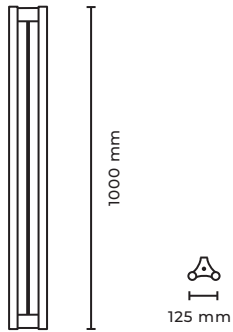
KAIA

LIA

INSTALLATION MANUAL

LIA

Wall Sconce
100



Type

Material

Environment

Dimension

Weight

Certification

EU/UK

Lamps

Wall/ceiling light

Brass

Indoors

1000 x 125 mm

2.1 kg

IP20 CE

230 V

max 2 x 120W, S14s

our suggestion:

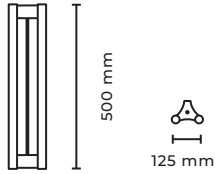
2 x linear opal LED, 2700 K,

Mains (Phase) dimmable,

EPREL-ID: 566195

LIA

Wall Sconce
50



Type

Material

Environment

Dimensions

Weight

Certification

EU/UK

Lamps

Wall/ceiling light

Brass

Indoors

500 x 125mm

1.9 kg

IP20 CE

230 V

max. 2 x 60 W, S14s

our suggestion:

2x linear opal LED, 2700 K, Mains

(Phase) dimmable,

EPREL-ID: 566200

LIA

Wall Sconce
30



Type

Material

Environment

Dimensions

Weight

Certification

EU/UK

Lamps

Wall/ceiling light

Brass

Indoors

300 x 125mm

1.8 kg

IP20 CE

230 V

max. 2 x 35 W, S14s

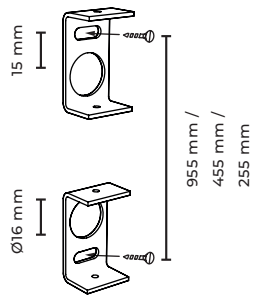
our suggestion:

2x linear opal LED, 2700 K,

Mains (Phase) dimmable,

EPREL-ID: 566198

STEP 1 FRONT VIEW



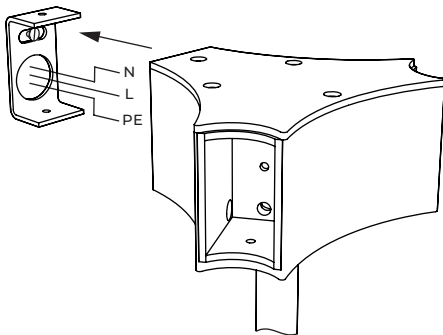
screw size max. Ø4 mm

INSTALLATION

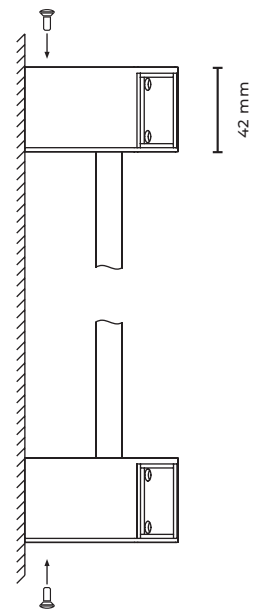
Before commencing installation ensure the relevant mains supply has been safely isolated/disconnected. Installation should be carried out by a qualified electrician. Ensure all electrical connections are tight with no loose strands, including factory made connections.

1. Remove the base from the installation bracket.
2. Affix the brackets to the ceiling/wall with 2 screws (hole size max. 4 mm).
Connect the unit to the mains.
3. Fix the unit back on its base and tighten 2 screws on the side.
4. Place the lamp in the luminaire.

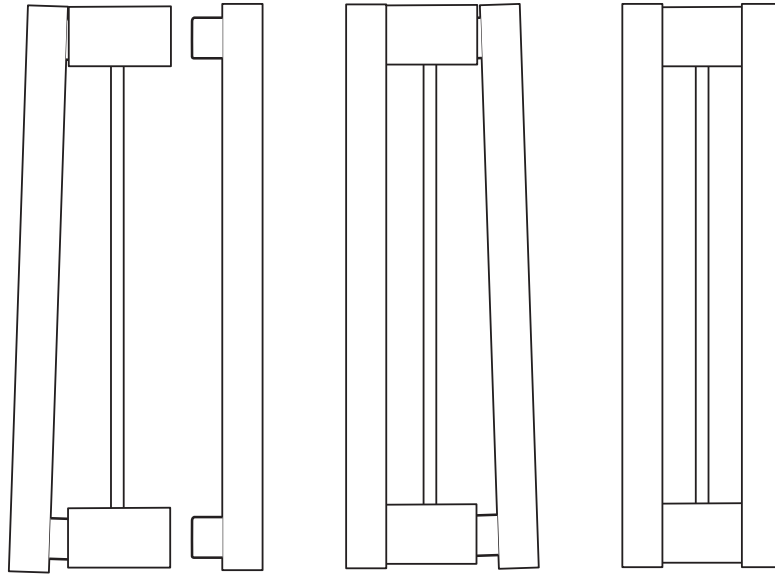
STEP 2 SIDE VIEW



STEP 3 SIDE VIEW



STEP 4 FRONT VIEW



LAMP INSTALLATION

- Before commencing installation ensure the relevant mains supply has been switched off.
- Use supplied fabric gloves to prevent any stains on the surface of the lamp.
- Due to risk of glass fracture handle the lamp with care!
- Whilst applying pressure push the socket into the lamp holder in the marked place. Remove the lamp from the lamp holder carefully with both hands.

CARE INSTRUCTIONS

* On very rare occasions, these lamps may appear to have a slight buzzing or flickering. As is the case with all retro LED lamps, this is likely caused by a number of outside influences such as incorrect installation, wiring, dimming or transformers and in some instances low electrical resistance.

** Please contact sales@kaialighting.com for further information on dimmers etc. Please note KAIA Ltd cannot take any responsibility for the connection with your dimming or central control system. It is the customer's responsibility to ensure the compatibility with their systems.