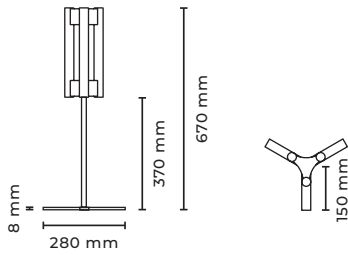


KAIA

LIA

INSTALLATION MANUAL

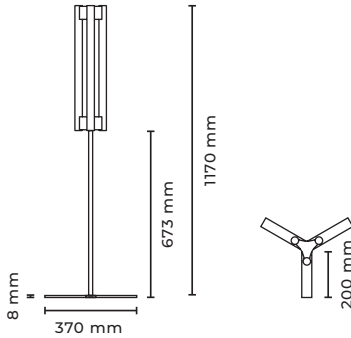
LIA
Table 30



Type
Material
Environment
Dimension
Cable Length
Weight
Certification
EU/UK
Lamps

Floor light
Brass
Indoors
280 x 670 mm
1500 mm
2.2 kg
IP20 CE
230 V
max. 3 x 35 W, S14s
our suggestion: 3 x linear opal
LED, 2700 K, 275 lm, Mains
(Phase) dimmable,
EPREL-ID: 566198

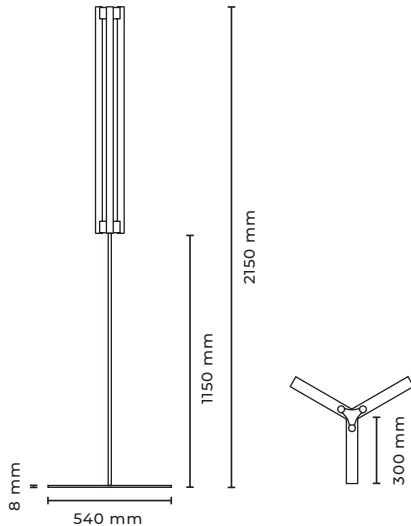
LIA
Floor 50



Type
Material
Environment
Dimensions
Cable Length
Weight
Certification
EU/UK
Lamps

Floor light
Brass
Indoors
370 x 1170 mm
1500 mm
2.4 kg
IP20 CE
230 V
max. 3 x 60 W, S14s,
our suggestion: 3x linear opal
LED, 2700 K, 470 lm, Mains
(Phase) dimmable,
EPREL-ID: 566200

LIA
Floor 100



Type
Material
Environment
Dimensions
Cable Length
Weight
Certification
EU/UK
Lamps

Floor light
Brass
Indoors
540 x 2150 mm
1500 mm
3 kg
IP20 CE
230 V
max 3 x 120 W, S14s,
our suggestion: 3x linear opal
LED, 2700 K, 1055 lm, Mains
(Phase) dimmable,
EPREL-ID: 566195

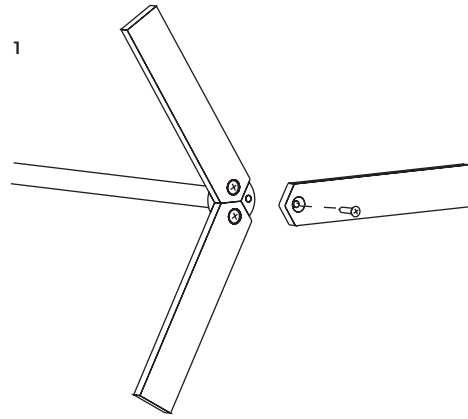
INSTALLATION

1. Screw the three included feet to the base plate of the lamp. Use a Phillips screwdriver

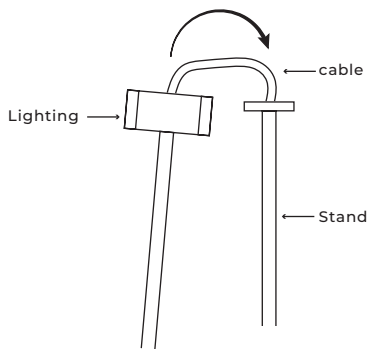
STEP 2 & 3 LIA Floor 100 only!

2. Place the lamp on the stand
3. Connect the two parts together with the 3 screws.
Use a slotted screwdriver

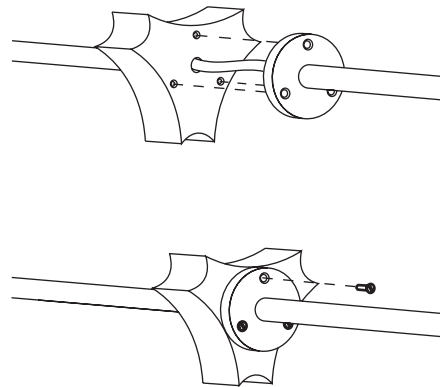
STEP 1



STEP 2



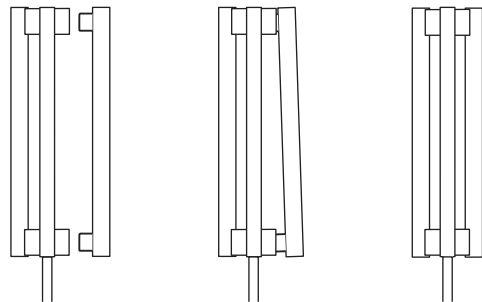
STEP 3



LAMP INSTALLATION

1. Before commencing installation ensure the relevant mains supply has been safely isolated/disconnected.
2. Use supplied fabric gloves to prevent any stains on the surface.
3. Whilst applying pressure push each socket into the lamp holder one at a time (see graphic).
4. Due to the risk of glass fracture handle the lamps with care!

Under unfavourable conditions these lamps can lead to acoustic noise. In case of resonance even low noise can cause audible effect. The installation as well as the dimmer or the transformer (harmonics or electronic resonance) are possible influencing factors.



CARE INSTRUCTIONS

1. Use a soft dry cloth to ensure a fingerprint free surface. We recommend the use of micro fibre cloths.
2. Warning: do not use alcohol or other solvents for cleaning.

* Please contact sales@kaialighting.com for further information on dimmers etc. Please note KAIA Ltd cannot take any responsibility for the connection with your dimming or central control system. It is the customer's responsibility to ensure the compatibility with their systems.