

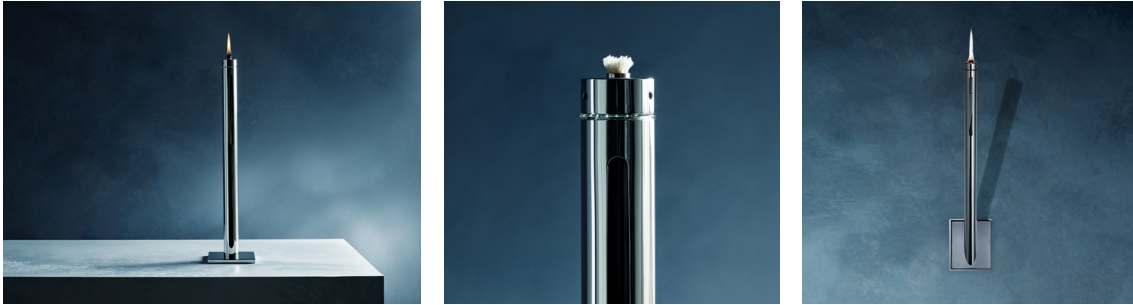
KAIA

LEN

'No end of fire'

Designed by Peter Straka
Vienna 2005

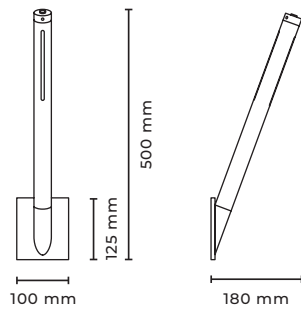
Pure crafted perfection combined with the fascination of light in its purest and oldest form – fire. L E N is a torch that never burns down.



Process: The base material of the L E N is brass. The brass tube and plates are cut, then polished. All the components are nickel plated. Within the metal tube and underneath the lid is a glass that contains the odourless liquid paraffin.

LEN

Wall Luminaire



Type
Material
Environment
Dimensions

Weight
Volume

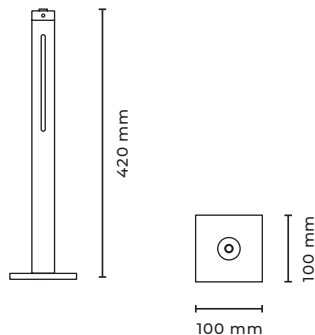
Wall luminaire
Solid brass and glass
Indoors
100 x 125 x 500 mm
3,94 x 4,92 x 19,69"
2.8 kg - 6,2 lb
max. 120ml - 4 oz
our recommendation: 60ml - 2 oz
Lamp oil is not included for orders outside the EU

Standard finishes:
130 01 201
130 01 202

brushed nickel
brushed brass

LEN

Table Luminaire



Type
Material
Environment
Dimensions

Weight
Volume

Table luminaire
Solid brass and glass
Indoors
100 x 100 x 420 mm
3,94 x 3,94 x 16,54"
2.3 kg - 5,1 lb
max. 120ml - 4 oz
our recommendation: 60ml - 2 oz
Lamp oil is not included for orders outside the EU

Standard finishes:
130 02 201
130 02 202

brushed nickel
brushed brass

* Other finishes on request, please inquire to sales@kaialighting.com.