

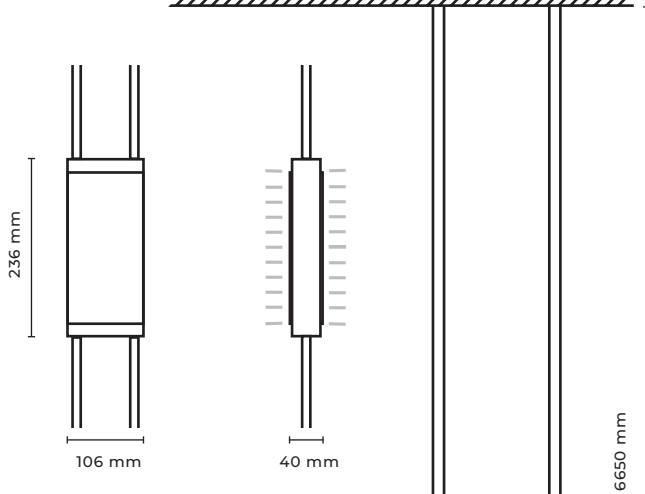
KAIA

SIS

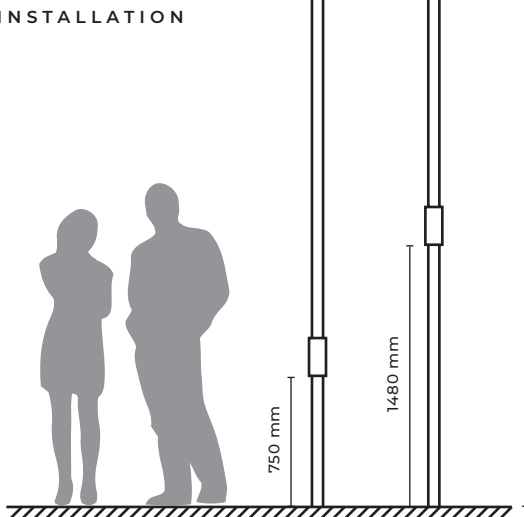
PRODUCT SPECIFICATION



LED Unit



ROOM INSTALLATION



Type	Room installation
Material	Solid brass, acrylic
Environment	Indoors
Dimensions	106 x 40 x 236 mm
Weight	1,7 kg
Certification	IP40 CE
Lamping	LED technology, 24 V*, Warm White 3000 K, 652 lumens, dimmable Lifetime 70 000 h.
Dimming	DALI
LED Driver	Tridonic LCA 60W 24V one4all SC PRE
LED Watt	11,2 W (2x 5,6 W)
Surface finish	customized aged brass (mat)

Type	Room installation
Quantity	6 pcs.
Material	Solid brass, acrylic
Environment	Indoors
Stem Length	1000 - 2000 mm
Dimensions	320 x 40 x 8180 mm
visible Dimensions	320 x 40 x 6650 mm
Floor / ceiling Plate	320 x 170 x 2 mm
Weight per pcs.	12 kg
Surface finish	customized aged brass (mat)

CARE INSTRUCTIONS

1. Use a soft dry cloth to ensure a fingerprint free surface. We recommend the use of micro fibre cloths.
 2. Warning: do not use alcohol or other solvents for cleaning.
- For further information see attached care instructions.

DRIVER LOCATION

Lights supplied with an external TRIDONIC LCA 60W driver (225 x 43 x 31 mm). For more information please see the data sheet of the driver.

The maximum distance from the driver to the light must not exceed 15m!

DIMMING OPTIONS

The lighting is supplied with a DALI dimmer system

* Chandelier comes with an external power supply unit as a standard; dimming is optional. Please contact sales@kaialighting.com for further information on dimmers, transformers etc. Please note KAIA Ltd cannot take any responsibility for the connection with your dimming or central control system. It is the customer's responsibility to ensure the compatibility with their systems.

** Lighting fixtures designed for the indoor environment up to 24° Celsius.

KAIA