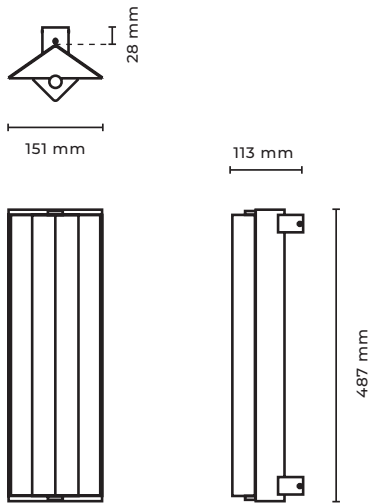


KAIA

INSTALLATION MANUAL

AVA

Wall



Type	Wall light
Material	Solid brass
Environment	Indoors
Dimensions	487 x 151 x 113 mm; 19.17 x 5.94 x 4.52"
Weight	4,0 kg; 8,81 lb
Cable length	500 mm; 19.6"
Certification	IP20 CE
Lamping*	LED technology: 24V, 11W, 2700K, dimmable, 1050lm

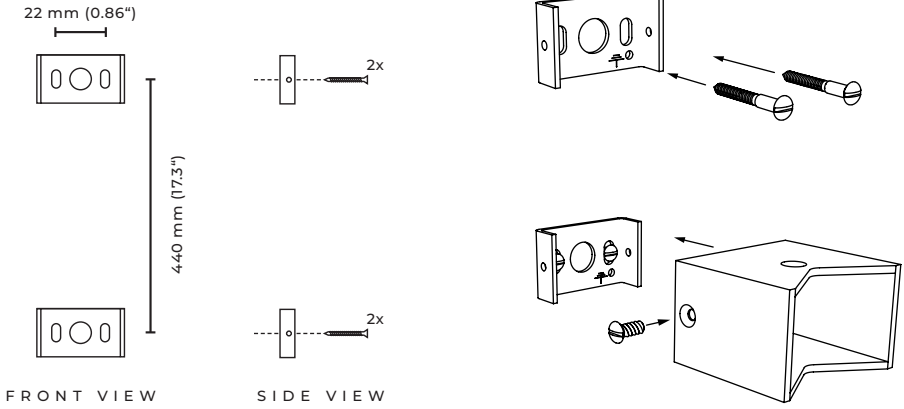
230 04 202	brushed brass
230 04 402	aged brass

INSTALLATION

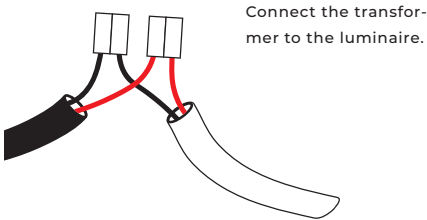
Before commencing installation ensure the relevant mains supply has been safely isolated/disconnected. Installation should be carried out by a qualified electrician. Ensure all electrical connections are tight with no loose strands, including factory made connections.

1. Remove the two bases from the installation bracket and Affix both brackets to the ceiling/wall at a distance of 440mm (17.3") with 4 screws (hole size max. 4 mm (0.16")). The middle hole is for cable routing.
2. Connect the transformer to the light before installing the light
3. Now connect the transformer to the mains
4. Pry open the wall to hide the Driver in the wall (Cable length 500 mm / 19.6")
5. Connect the light to the brackets on the wall. To do this, tighten the screws on the top of the upper bracket and the bottom screw of the lower bracket.

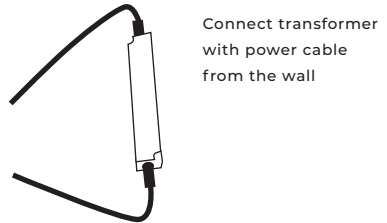
STEP 1



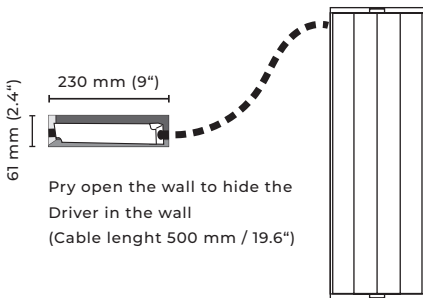
STEP 2



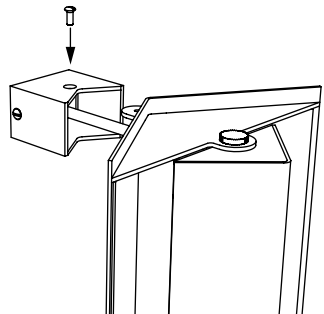
STEP 3



STEP 4



STEP 5



LAMP INSTALLATION

- Before commencing installation ensure the relevant mains supply has been switched off.
- Use supplied fabric gloves to prevent any stains on the surface of the lamp.

CARE INSTRUCTIONS

* On very rare occasions, these lamps may appear to have a slight buzzing or flickering. As is the case with all retro LED lamps, this is likely caused by a number of outside influences such as incorrect installation, wiring, dimming or transformers and in some instances low electrical resistance.

** Please contact sales@kaialighting.com for further information on dimmers etc. Please note KAIA Ltd cannot take any responsibility for the connection with your dimming or central control system. It is the customer's responsibility to ensure the compatibility with their systems.

DRIVER LOCATION

Lights supplied with an external non-dim 24V driver as standard. Additional dimmer needs to be specified.

DIMMING OPTIONS

Dimming options are available on request (Phase Cut, Bluetooth (Casambi), 1-10 V, Dali, RemoteControl). Optional: Dim to warm - for more information please contact sales@kaialighting.com. Lighting control system specifications should be clarified before placing the order.

The PSU/dimmer are external separate components, dimensions are the following:
length: 90 mm, width: 65 mm, height: 40 mm (3.54" x 2.56" x 1.57").

* Please contact sales@kaialighting.com for further information on dimmers, transformers etc. Please note KAIA Ltd cannot take any responsibility for the connection with your dimming or central control system. It is the customer's responsibility to ensure the compatibility with their systems.

** Lighting fixtures designed for the indoor environment up to 24° Celsius.