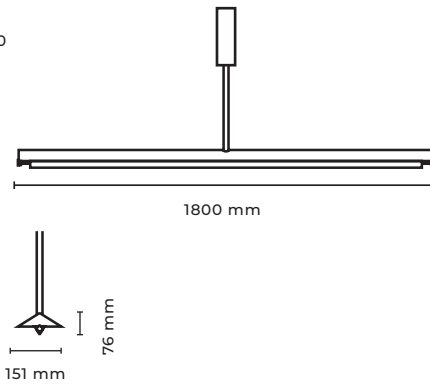


KAIA

INSTALLATION MANUAL

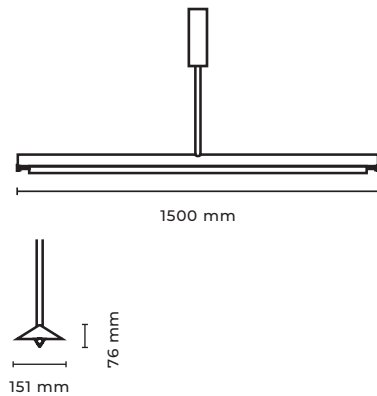
AVA Suspension 1800



Type Pendant light
Material Solid brass
Environment Indoors
Dimensions 1800 x 151 x 76 mm
Weight 18 kg
Ceiling rose \varnothing 90mm x 205mm
Certification IP20 CE
Lamping* CCT LED technology: 24V, 2200K - 5300K (+-100K), 37W, 3795lm, Tuneable white, dimmable

230 01 202 brushed brass
230 01 402 aged brass

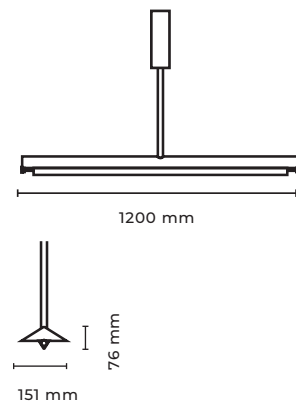
AVA Suspension 1500



Type Pendant light
Material Solid brass
Environment Indoors
Dimensions 1500 x 151 x 76 mm
Weight 14,5 kg
Ceiling rose \varnothing 90mm x 205mm
Certification IP20 CE
Lamping* CCT LED technology: 24V, 2200K - 5300K (+-100K), 31W, 3160lm, Tuneable white, dimmable

230 02 202 brushed brass
230 02 402 aged brass

AVA Suspension 1200

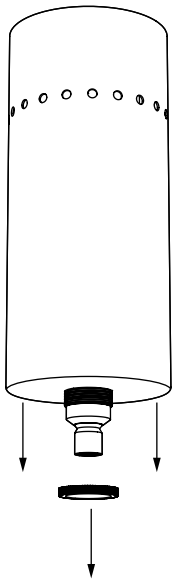


Type Pendant light
Material Solid brass
Environment Indoors
Dimensions 1200 x 151 x 76 mm
Weight 11 kg
Ceiling rose \varnothing 90mm x 205mm
Certification IP20 CE
Lamping* CCT LED technology: 24V, 2200K - 5300K (+-100K), 23W, 2400lm, Tuneable white, dimmable

230 03 202 brushed brass
230 03 402 aged brass

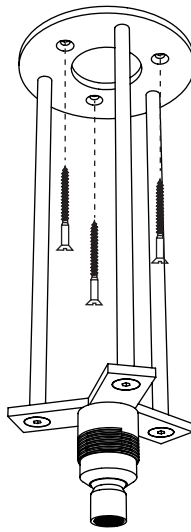
CEILING INSTALLATION

STEP 1



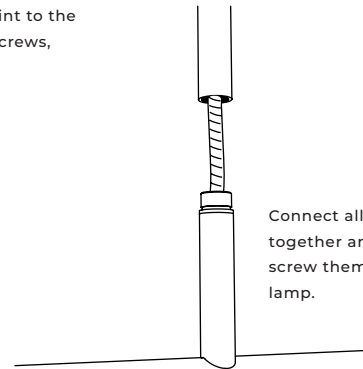
Separate the canopy box from the assembly with the mounting plate.

STEP 2



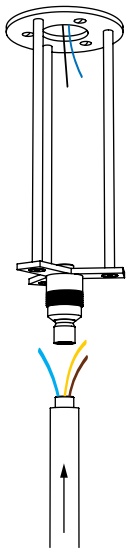
Screw the mounting plate with the ball joint to the ceiling with 3 screws, max. $\varnothing 4$ mm.

STEP 3



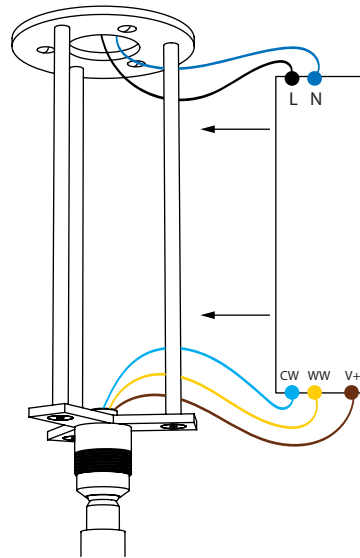
Connect all the rods together and then screw them to the lamp.

STEP 4



Now screw the lamp to the canopy on the ceiling. Thread the light cables through the ball joint. Please note that you put the canopy box and the knurled nut onto the rods before connecting.

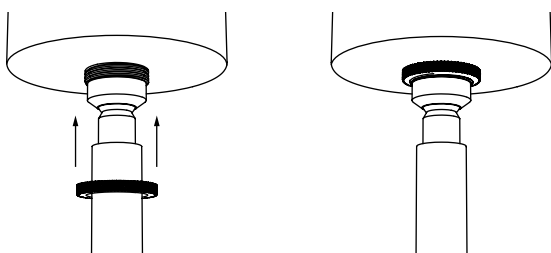
STEP 5



Connect the Powersupply unit to the light and then to the mains. Then place the power supply unit in the canopy.

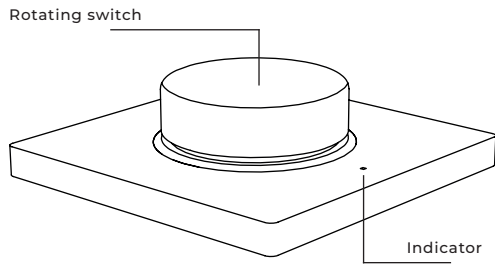
CW = blue
WW = yellow/green
V+ = brown

STEP 6



Now push the canopy box up to the ceiling and then fix it with the knurled nut.

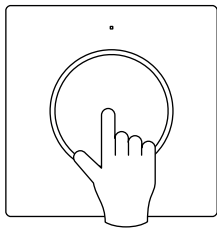
THE CONTROL



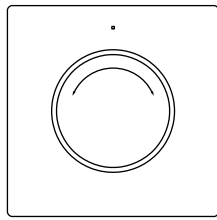
Feature

It's made by 2.4GHz wireless control technology with power consumption, long distance, strong ability for auto-interference and quick communication. Power supply is CR2032 battery, the rotating switch can dim brightness and color temperature, it's compatible for MiBoxer single color and CCT LED light.

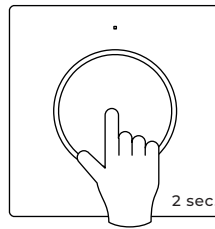
- Control distance 30m
- One Remote supports unlimited LED light
- Magnetic installation method, more convenient



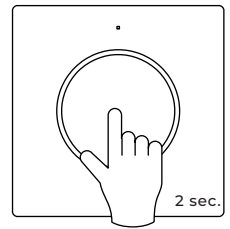
Short press
turn on / off light



Rotating
dim brightness



Long press while the light is on
until indicator is blinking,
switch to cct dimmable,
rotate it to dim color
temperature



Long press while the light is off
enter into night light
mode

For further information, please refer to the included instructions for use.