

KAIA

INNER GLOW

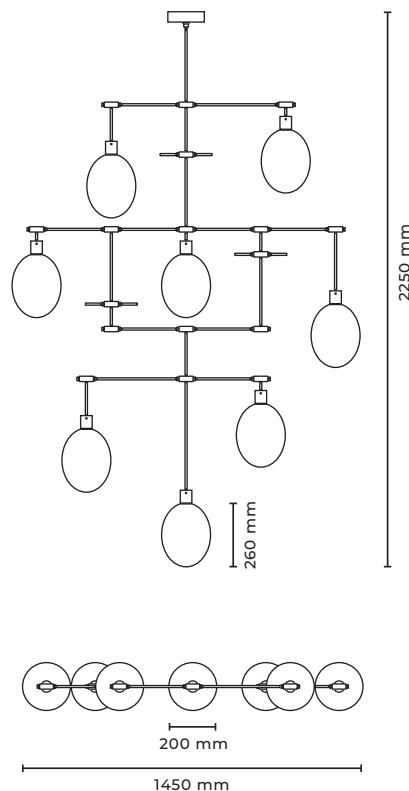
Designed by Sophie Dries
2020

Sophie Dries choose to juxtapose to the classic blown glass and brass typical of Kaia chandeliers a more organic material: paper. Produced in Puglia, the paper selected is an evolution of the papiermâché process and has a raw, textural quality to it that resembles stone.



The rough and organic paper is in contrast with the smooth and transparent glass eggs and the rigorous and geometric lines of the brass structure. The way the paper appears to grow over the glass eggs brings to mind the way moss and fungi occasionally grow over walls and buildings. There is a precarious and somewhat imperfect balance in Sophie Dries chandelier between organic and geometric, natural and artificial suggesting the possibility of harmonious coexistence.

INNER GLOW



Type	Suspension light
Material	Solid brass
Environment	Indoors
Dimensions	2250 x 810 x 1450 mm; 88,6 x 31,9 x 57,1 " Glass Ø 200 x 260 mm - 7,87 x 10,4 "
Stem Length	375 mm - 14,76 "(can be customized)
Weight	12 kg - 26,5 lb
Certification	IP20 CE
Ceiling Rose	Ø 200 mm x 60 mm - 7,87 x 2,36 "
Lamping	Filament: E14 115mm (3,94 ") Tube Light Bulb, clear, 8 x 25W, 2200 K, dimmable OR Led: E14 115mm (3,94 ") Tube Light Bulb, clear , 8 x 2,7W (250lm), 2600K, dimmable
US Lamping	8x E12, Tube Light Bulbs not included
Standard finishes: 200 01 207	Oiled and waxed brass with clear glass

* Other finishes on request, please inquire to sales@kaialighting.com.

** For destinations with Mediterranean climate we highly recommend a brushed and lacquered brass finish.

** Please note the glass is mouth blown. The crystal glass might have some natural imperfections which are a result of the glass manufacturing process.

* Under unfavorable conditions these lamps can lead to acoustic noise. In case of resonance even low noise can cause audible effect. The installation as well as the dimmer or the transformer (harmonics or electronic resonance) are possible influencing factors.

** Please contact sales@kaialighting.com for further information on dimmers etc. Please note KAIA Ltd cannot take any responsibility for the connection with your dimming or central control system. It is the customer's responsibility to ensure the compatibility with their systems.

*** Due to the manufacturing process, differences in the finish between the different brass parts, might occur.