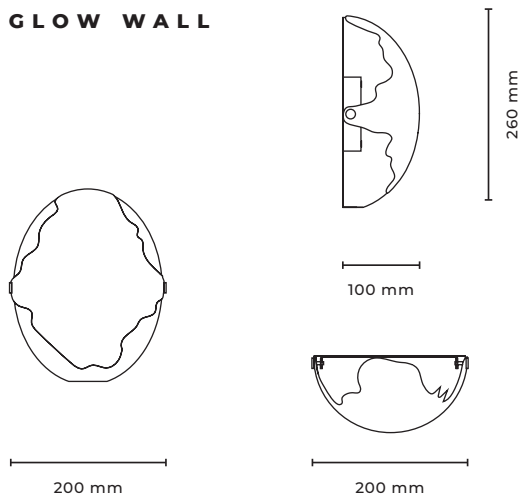


KAIA

GLOW

INSTALLATION MANUAL

GLOW WALL



Type	Wall light
Material	white laquered wall bracket/ crystal glass/white papier-mâché
Environment	Indoors
Dimensions	260 x 200 x 100 mm; 10,2 x 7,87 x 3,93" Glass Ø 200 x 260 mm; 7,87 x 10,2"
Weight	1,5 kg - 3,3 lb
Certification	IP20 CE
EU/UK - US	230 V - 110 V
Lamping	1x LED Bulb: G9 Light Bulb, clear, 2,6 W (320lm), 2700K
US Lamping	1x LED Bulb: G9 (Light Bulbs not included)
Standard finishes:	white laquered wall bracket with clear glass and white papier-mâché. thumbscrews in different finishes
200 08 201	brushed nickel
200 08 207	brushed, oiled and waxed brass
200 08 402	aged brass

* Other finishes on request, please inquire to sales@kaialighting.com.

** For destinations with Mediterranean climate we highly recommend a brushed and lacquered brass finish.

*** Please note the glass is mouth blown. The crystal glass might have some natural imperfections which are a result of the glass manufacturing process

**** Under unfavorable conditions these lamps can lead to acoustic noise. In case of resonance even low noise can cause audible effect. The installation as well as the dimmer or the transformer (harmonics or electronic resonance) are possible influencing factors.

***** Please contact sales@kaialighting.com for further information on dimmers etc. Please note KAIA Ltd cannot take any responsibility for the connection with your dimming or central control system. It is the customer's responsibility to ensure the compatibility with their systems.

***** Due to the manufacturing process, differences in the finish between the different brass parts, might occur..

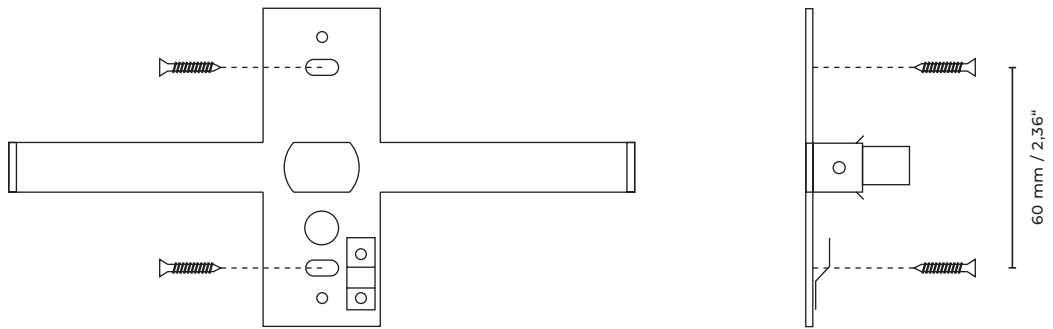
INSTALLATION

Before commencing installation ensure the relevant mains supply has been safely isolated/disconnected. Installation should be carried out by a qualified electrician. Ensure all electrical connections are tight with no loose strands, including factory made connections. The Mains power must only be switched on once the fitting has been electrically connected.

GLOVES

You have chosen an oiled and waxed finish for your lighting fixtures, please make sure that these will only be touched with provided gloves and that the Care Instructions will be followed strictly.

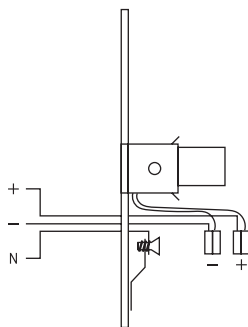
STEP 1



FRONT VIEW

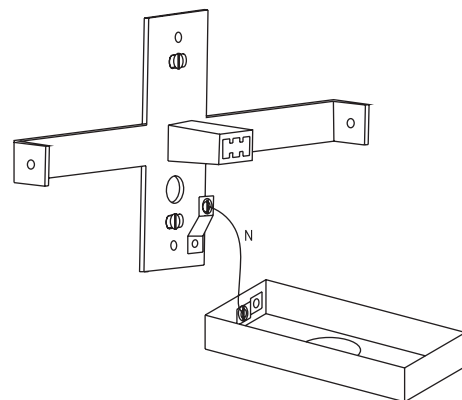
SIDE VIEW

STEP 2

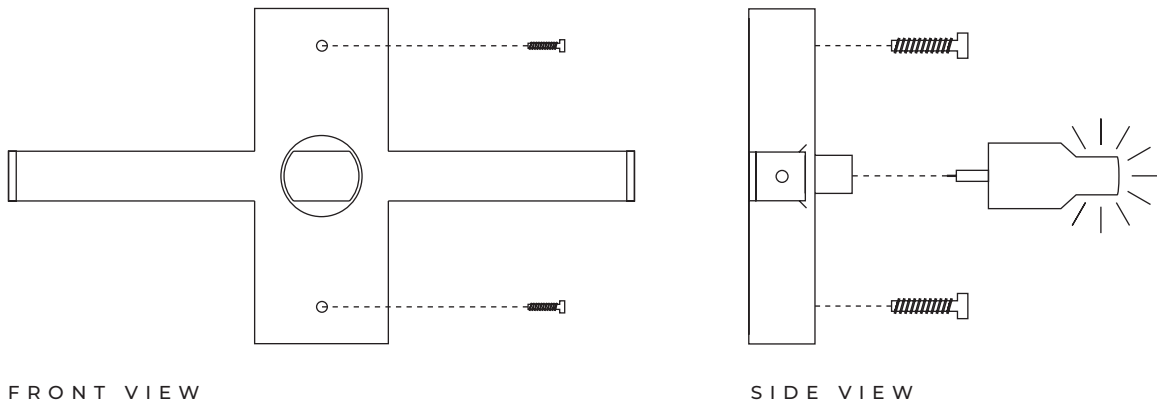


SIDE VIEW

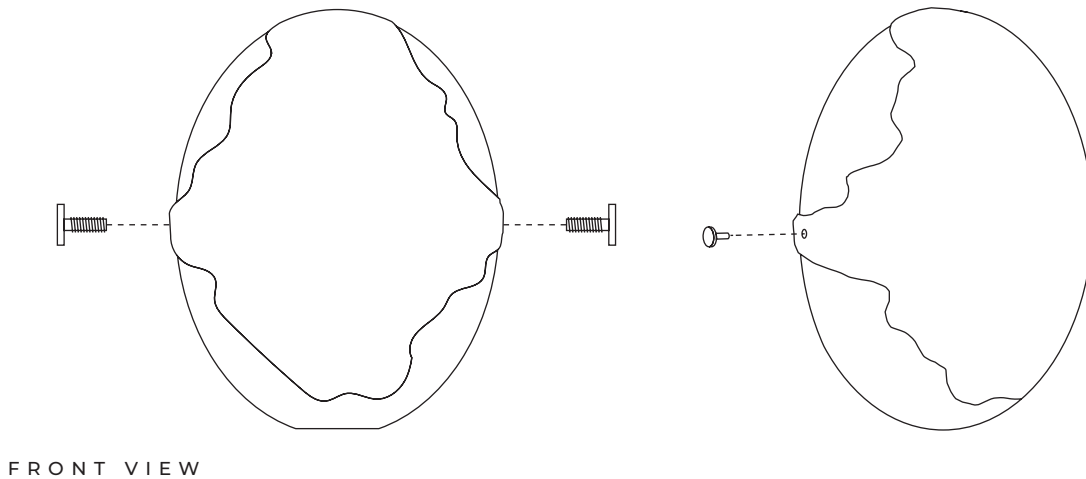
STEP 3



STEP 4



STEP 5



Carefully fix loosely with the supplied knurled-head screw by hand. Do not use a screw-driver. Do not screw too tightly, ensure there is at least 1 mm tolerance between the glass and the screw.

CARE INSTRUCTIONS

1. Use a soft dry cloth to ensure a fingerprint free surface. We recommend the use of micro fibre cloths.
2. Warning: do not use alcohol or other solvents for cleaning.

* Due to the manufacturing process differences in the finish between the different brass parts might accrue.

** Lighting fixtures designed for the indoor environment up to 24 ° C.

*** For destinations with Mediterranean climate we highly recommend a brushed and lacquered brass finish.