

KAIA

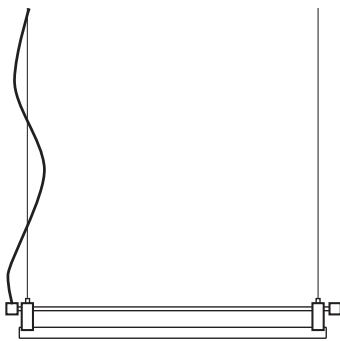
EON

INSTALLATION MANUAL

ME A

Wall / Ceiling Base

100



Type

Material

Environment

Cable Length

Dimensions

Weight

Certification

USA

Ceiling Rose

Lamps

Suspension light

Brass

Indoors

78.74"

43.31 x 3.94"

3.09 lb

IP20 CE; ETL US/CSA Canada

110V

square 2.76 x 2.76 x 0.98"

Linear opal LED S14s*,

13.5W, 2700 K,

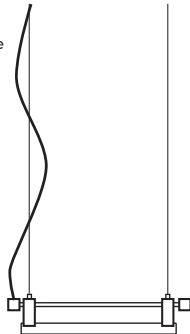
Mains(Phase) dimmable,

1000 lm, energy class A

ME A

Wall / Ceiling Base

50



Type

Material

Environment

Cable Length

Dimensions

Weight

Certification

USA

Ceiling Rose

Lamps

Suspension light

Brass

Indoors

78.74"

23.62 x 3.94"

2.2 lb

IP20 CE; ETL US/CSA Canada

110V

square 2.76 x 2.76 x 0.98"

Glass lamps not available.

Please inquire.

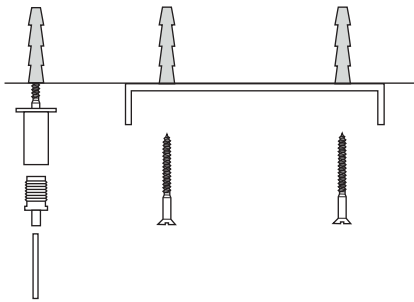
* On very rare occasions, these lamps may appear to have a slight buzzing or flickering. As is the case with all retro LED lamps, this is likely caused by a number of outside influences such as incorrect installation, wiring, dimming or transformers and in some instances low electrical resistance.

** Please contact sales@kaialighting.com for further information on dimmers etc. Please note KAIA Ltd cannot take any responsibility for the connection with your dimming or central control system. It is the customer's responsibility to ensure the compatibility with their systems.

INSTALLATION

Before commencing installation ensure the relevant mains supply has been safely isolated/disconnected. Installation should be carried out by a qualified electrician. Ensure all electrical connections are tight with no loose strands, including factory made connections.

STEP 1



1. Ceiling Rose: Remove the base from the installation bracket. Affix the bracket to the ceiling with 2 screws (hole size max. 0.18", 1.97" apart).

Wire Holder: Unscrew the main body from the threaded mounting block and mount on the ceiling.

2. Ceiling Rose: Connect the unit to the mains.

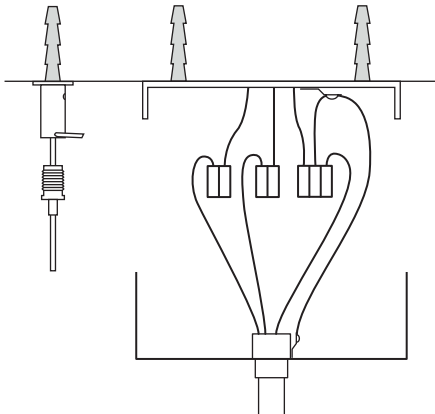
Wire Holder: Pass through wire rope firmly into the main body until it locks in place.

3. Ceiling Rose: Fix the unit back on its base and retighten 2 screws on the side.

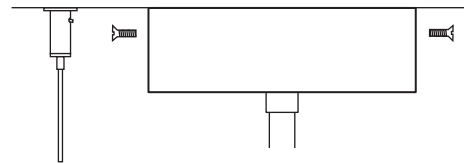
Wire Holder: Screw wire rope into the rope fixing and cut the remaining wire.

4. Connect the lamp body to other lamp bodies (if necessary) and then to the power.

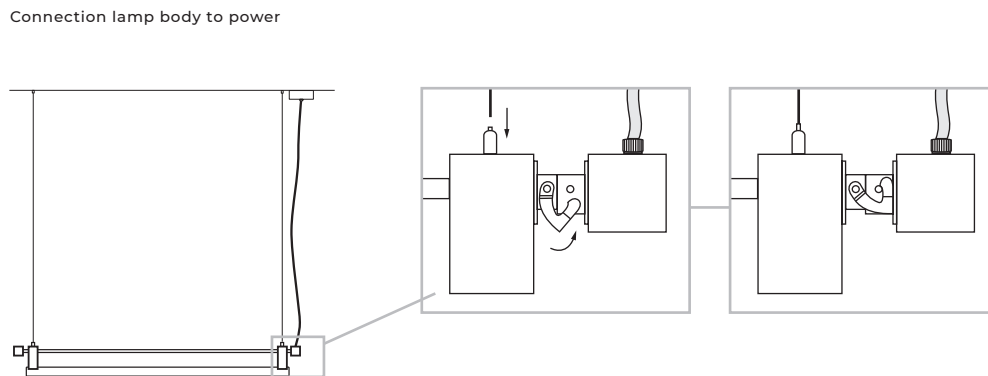
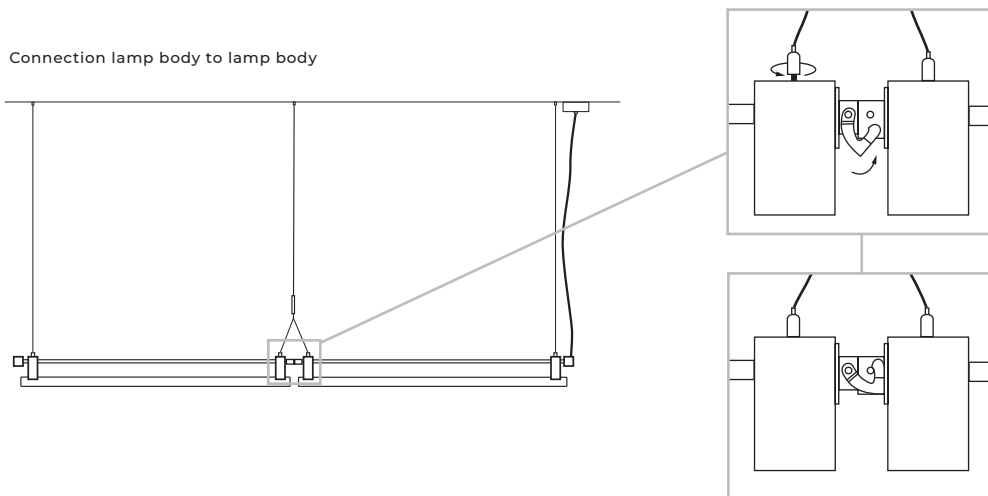
STEP 2



STEP 3



STEP 4



CARE INSTRUCTIONS

1. Use a soft dry cloth to ensure a fingerprint free surface. We recommend the use of micro fibre cloths.
2. Warning: do not use alcohol or other solvents for cleaning.

* On very rare occasions, these lamps may appear to have a slight buzzing or flickering. As is the case with all retro LED lamps, this is likely caused by a number of outside influences such as incorrect installation, wiring, dimming or transformers and in some instances low electrical resistance.

** Please contact sales@kaialighting.com for further information on dimmers etc. Please note KAIA Ltd cannot take any responsibility for the connection with your dimming or central control system. It is the customer's responsibility to ensure the compatibility with their systems.

FIXING
Distances

