



Thank you for supporting our mission to create a greener planet through reforestation. Before starting, please make sure all pieces listed in this manual are complete. And save this manual for future reference.

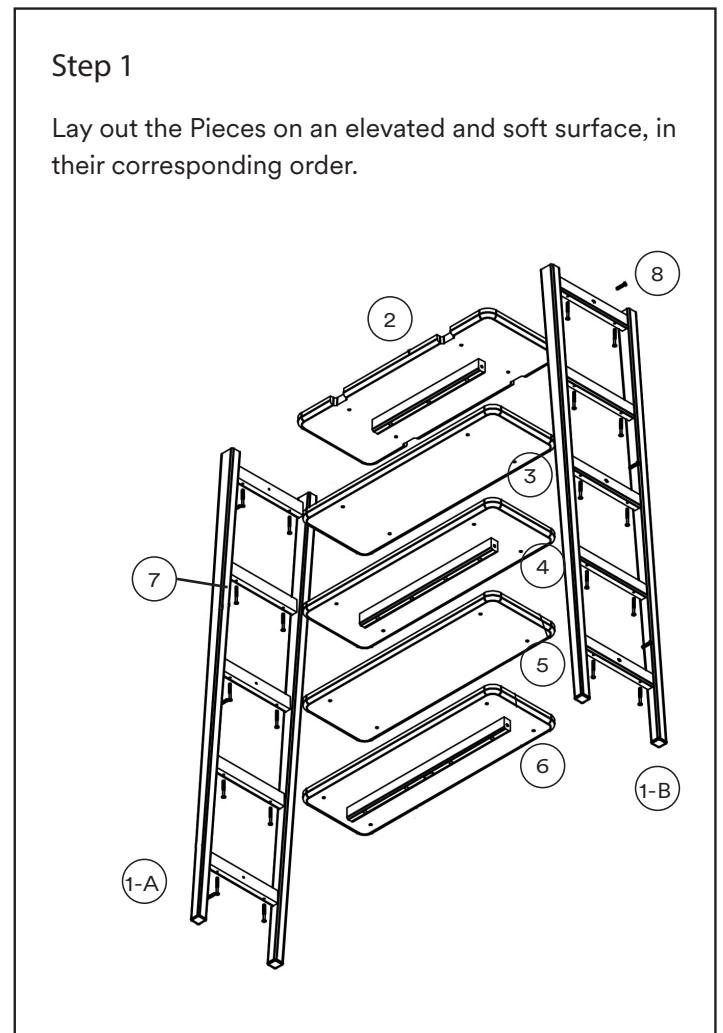
When assembling, we recommend placing all wooden parts on a soft, clean and flat surface to avoid scratches and damage while assembling your brand new MasayaCo piece.

Need any assistance?
Feel free to contact our Customer Service Team.

(615) 953 - 9373,
customerservice@masayacompany.com
or using our chat on www.masayacompany.com

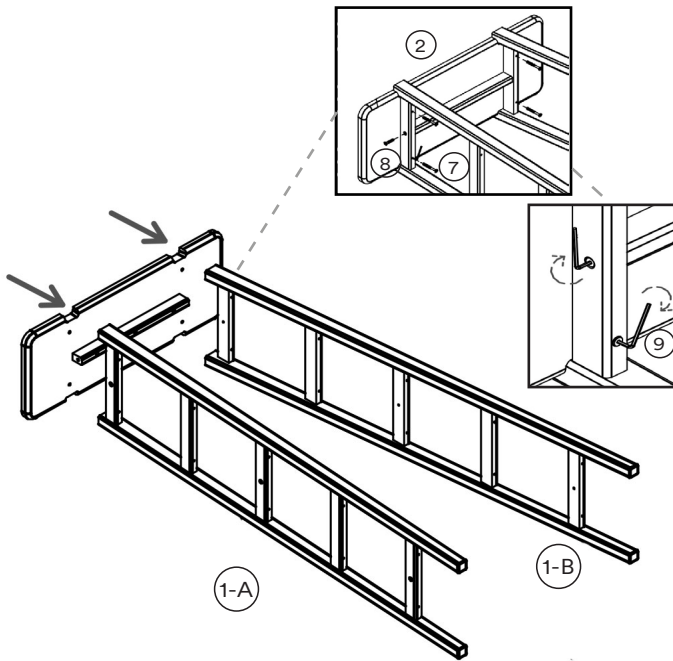
30 Min 2 people Allen Hex Key

ID	Description	Qty	Reference
1	Wood Legs	2	
2	Shelf - A	5	
3	Shelf - B		
4	Shelf - C		
5	Shelf - D		
6	Shelf - E		
7	Decorative head bolt 13mm x 65mm (2.5 in)	20	
8	Decorative head bolt 14mm x 40mm (1.5 in)	6	
9	Allen Hex Key	1	



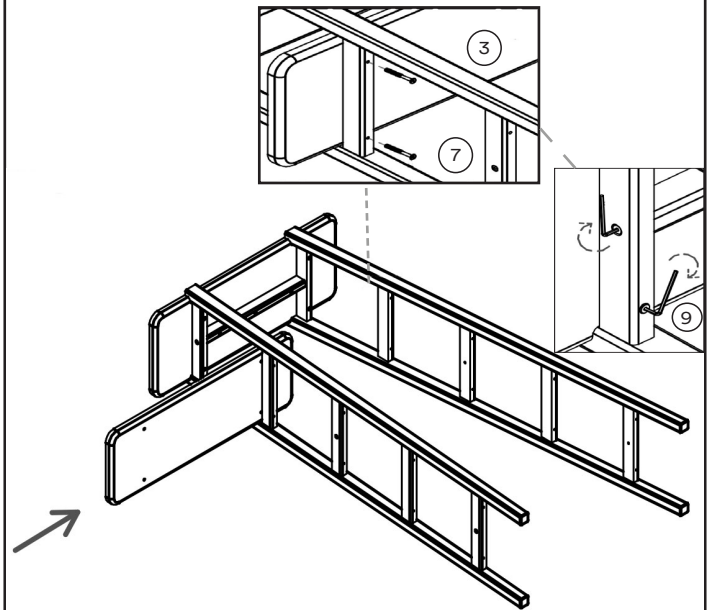
Step 2

Place both legs on a flat surface, then attach the shelf -A with decorative bolts to the leg frame



Step 3

Place the Shelf - B and locate the decorative pins on both sides, once all this in place, screw until secure.



Step 4

Repeat steps 1 and 2 for the other shelves (C-E) as appropriate, place the decorative bolts and once all this is in place, screw until fixed.

