

2023 年 9 月印刷  
May 2023 printing



# Anle

Choose Anle, choose comfort

佛山市安乐医疗器械有限公司  
Foshan Anle Medical Apparatus Co., Ltd.

地址：广东省佛山市三水中心科技工业园 C 区 7 号 2 座 邮编：528137

Add : 2 Flat, No.7, C District, Technology & Industry Garden, Sanshui Centre, 528137 Foshan,  
Guangdong, P.R. CHINA. Zip code : 528137

网址 / URL : <http://www.anle.cn>

邮箱 / email : [pb@anle.cn](mailto:pb@anle.cn)

销售部 / Sales department : 0757-87393705

传真 / Fax : 0757-87393706

外贸部 / Export Department : +86-757-87393718

售后服务 / After-sales service: 0757-87393707



本公司保留不予以事先通知而进行产品改良之权利。图片仅供参考，以实物为准。

Our company reserves the right to make any improvement on product design without advance notice. The pictures are for reference only.

# Anle

Choose Anle, choose comfort

安乐给您更安心的感觉

始于 / Since 1998

## 传承工匠精神 铸造卓越品质

INHERITING CRAFTSMANSHIP SPIRIT  
MAKING EXCELLENT QUALITY



Anle  
Choose Anle, choose comfort

佛山市安乐医疗器械有限公司  
Foshan Anle Medical Apparatus Co., Ltd.

安乐给您更安心的感觉  
Choose anle, choose comfort



## 关于我们 Aboutus

佛山市安乐医疗器械有限公司, 成立于1998年, 位于国家医疗器械生产基地——佛山市三水中心科技工业园。公司是设计、生产、销售II类口腔科设备的制造企业, 总占地面积20,000 m<sup>2</sup>, 公司现有员工70余人, 主要产品——牙科综合治疗机已通过德国TUV的CE认证。

公司严格按国家标准、行业标准、注册标准以及CE标准组织生产, 对影响产品质量的各个因素进行全面全过程的控制, 确保不合格的原材料不投产, 不合格的零部件不转序, 不合格的产品不出厂, 贯彻实施ISO 13485国际质量管理体系, 依法治厂, 科学管理, 树立“AL”的品牌声誉。

安乐人以“顾客满意”为宗旨, 遵循“以信誉质量求生存, 以技术创新求发展”质量方针, 以开拓进取、务实诚信的精神, 将优质产品奉献广大用户!

我们诚挚地希望与全球口腔界朋友建立友好的业务往来和合作关系, 共同开拓、发展牙科工业!

Foshan Anle Medical Apparatus Co., Ltd established in 1998, is located in the production base of national medical equipment- Foshan Sanshui Industrial Zone. The company is the design, production, sales of Class II dental equipment manufacturing enterprises, a total area of 20,000 m<sup>2</sup>, 70 employs, the main products -- dental unit has CE certification by TUV, Germany.

We produce the dental unit strictly according to National Standard, Industry Standards, registration standards and CE standards, and control all factors that would be affected the product quality, make sure that all of our dental units are with good material and spare parts. We have made good reputation in AL series dental unit according to Implementation of the ISO 13485 international quality management system and scientific management.

"To Reply on reputation and quality to survive, and depend on technology and innovation to develop" is ANLE quality policy, Anle group is with pioneering spirit and purpose to satisfied customer requirement to offer high quality products.

We sincerely hope that we will establish friendly business cooperated relationship with friends come from the global dental field, to develop the dental industry.

## 公司资质 / Certificates



## 公司一角 / Our Company



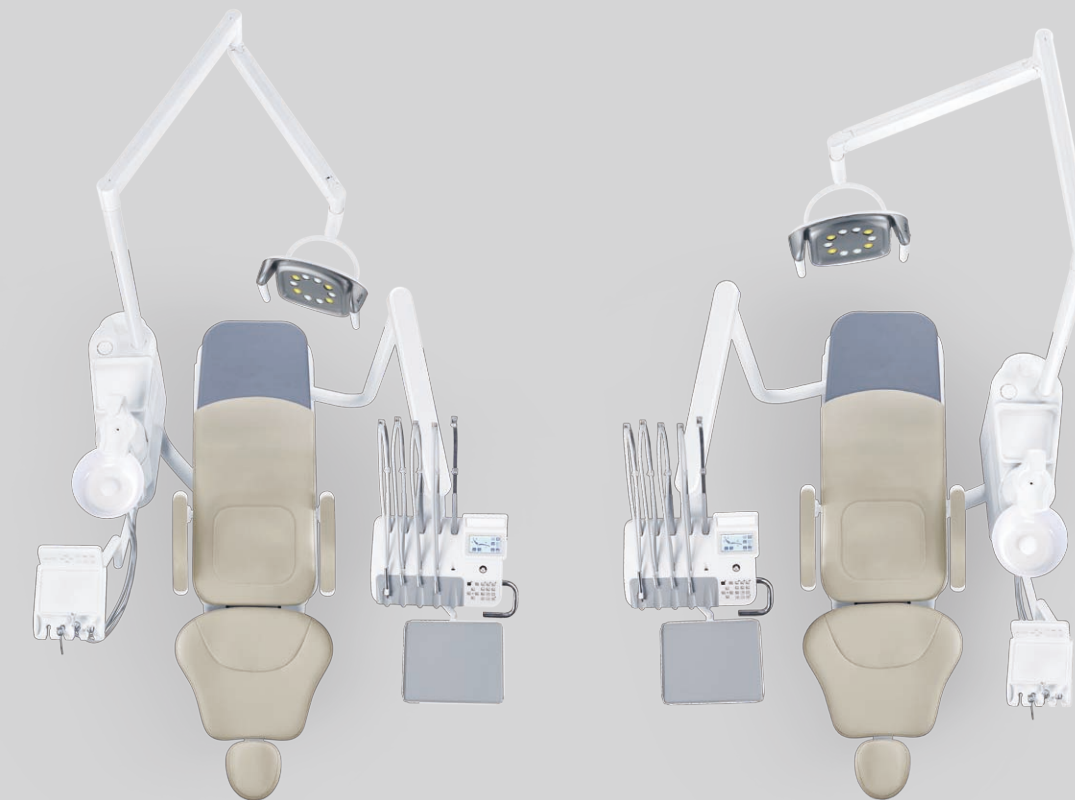
Dental Unit  
**AL-388S2**  
牙科综合治疗机



提供舒适安全的稳定性！  
Provide comfortable and safe stability

左右互换式更能满足各种不同操作习惯的牙科医生的使用要求，突出以人为中心的设计理念。

The left and right interchangeable type can meet the requirements for the dentists with different operating habits and protruding human-centered design concept.



电控式上挂工具盘，升级金属托盘，移动更顺滑。

Electronically controlled top-mounted instrument tray, upgraded metal tray, more smoothly.



旋转式箱体，方便医护四手操作。

Rotating cabinet for easy four-hand operation.



多功能托盘纸巾盒组合 + 旋转式痰盂

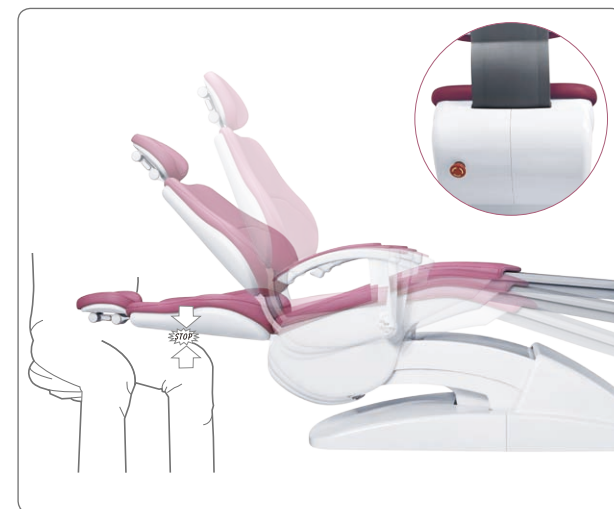
Multifunctional tray tissue box combination & Rotating spittoon.

Dental Unit  
**AL-388S4**  
 牙科综合治疗机



导轨式椅架, 超大补偿角度 (24°), 给医生和患者更加安全、舒适的体验!

Rail type chair frame, large compensation angle (24°), giving doctors and patients a safer and more comfortable experience!



靠背双重安全制动装置

Backrest with dual safety brake device



Dental Unit  
AL-388SC  
牙科综合治疗机



从舒适出发  
Starting from comfort

补偿椅位设计，贴合人体腰椎曲线。安装快速电机，运行更平稳快速，让患者在治疗中体验放松、舒适的感觉。

Compensation chair design, fit human lumbar curve. Install a fast motor to run more smoothly and quickly, so that patients can experience relaxation and comfort in the treatment.



一体式透明储水罐独立门板，便捷开合，对储水罐起到很好的保护。

The independent door plate of the all-in-one transparent water storage tank is convenient to open and provides good protection to the water storage tank.



储水罐独特注水设计，高效便捷。

Water storage tank unique water injection design, efficient and convenient.



10 珠 LED 口腔感应开关，色温、照度可调。

10 bead LED operating light Induction switch, color temperature and illumination adjustable.

Dental Unit  
AL-388SA  
牙科综合治疗机



稳步前行，不断创新  
Steady progress, continuous innovation

液晶屏触控按钮，直观明了，方便用户随时掌控机器运行状态。

LCD touch button which is intuitive and clear, convenient for users to control the running state of the machine at any time.



超细纤维皮革  
耐磨、环保、耐老化，可快速拆卸。

Microfiber leather  
wear-resistant, environmentally friendly,  
anti-aging, fast disassembly.



强弱吸过滤装置，拆卸、清洗方便。  
可对强弱吸管进行快速拆卸从而进行深度清洁。

This suction filter is easy to remove and clean.  
You can remove the suction tubes quickly  
for deep cleaning.



气动式多功能脚踏开关  
融合椅架运动、一键冲痰、漱口供水、吹屑功能。

Pneumatic multi-function foot switch, integrated chair  
movement, one-click phlegm flushing, gargling water supply  
and dust blowing functions.

Dental Unit

AL-398Sanor'e

牙科综合治疗机



平行伸缩式三折牙椅，方便患者乘坐和上落。

Parallel retractable three-fold dental chair, convenient for patients to ride and get on.



移动式小推车工具盘（可选）

Moveable handcart instrument tray (optional)



Dental Unit  
**AL-388S1**  
牙科综合治疗机



### 柔软舒适体验 Soft and comfortable experience

超细纤维皮革，纹理更细腻，亲肤透气，耐磨耐老化。

Microfiber leather, more delicate texture, skin friendly breathable, wear resistance and aging resistance.

### 高效四手操作 Efficient four-hand operation

四手操作充分满足不同医生的使用要求。

Four-hand operation fully meets the requirements of different doctors.



LED 无影手术灯，阴影少，光照均匀，照明效果更佳。  
色温照度可调。

LED shadowless operating light, Less shadow, even light,  
better lighting effect. Color temperature illuminance  
adjustable.



不锈钢小车式工具盘

Stainless steel trolley instrument tray



铝合金压铸扶手  
强度高，操作方便、灵活。

Aluminum alloy die-casting armrest, high strength,  
flexible and convenient.



Dental Unit  
**AL-398HB**  
牙科综合治疗机



柔软舒适体验  
Soft and comfortable experience

超细纤维皮革，纹理更细腻，亲肤透气，耐磨耐老化。

Microfiber leather, more delicate texture, skin friendly breathable, wear resistance and aging resistance.

高效四手操作  
Efficient four-hand operation

四手操作充分满足不同医生的使用要求。

Four-hand operation fully meets the requirements of different doctors.



LED 无影手术灯，阴影少，光照均匀，照明效果更佳。  
色温照度可调。

LED shadowless operating light, Less shadow, even light,  
better lighting effect. Color temperature illuminance  
adjustable.



移动式小推车器械盘  
移动式小推车，满足更多的空间需求。液晶触控面板，提供  
更直观高效的操作方式。

Moveable handcart instrument tray Moveable handcart to meet more  
space requirements. LCD touch panel provides more intuitive and  
efficient operation.



铝合金压铸扶手  
强度高，操作方便、灵活。

Aluminum alloy die-casting armrest, high strength,  
flexible and convenient.

Dental Unit  
**AL-398HA**  
牙科综合治疗机



Dental Unit  
**AL-388SB**  
牙科综合治疗机



Dental Unit  
**AL-398HF**  
牙科综合治疗机



痰盂可根据需求旋转角度, 玻璃痰盂缸拆卸简单, 方便日常清洁。

The spittoon can be rotated according to the demand, and the glass spittoon cylinder is easy to remove, which is convenient for daily cleaning.



双关节头枕, 合金压铸成型, 内齿轮定位系统, 操作灵活高效。

Double joint headrest, alloy die-casting molding, internal gear positioning system, flexible and efficient operation.



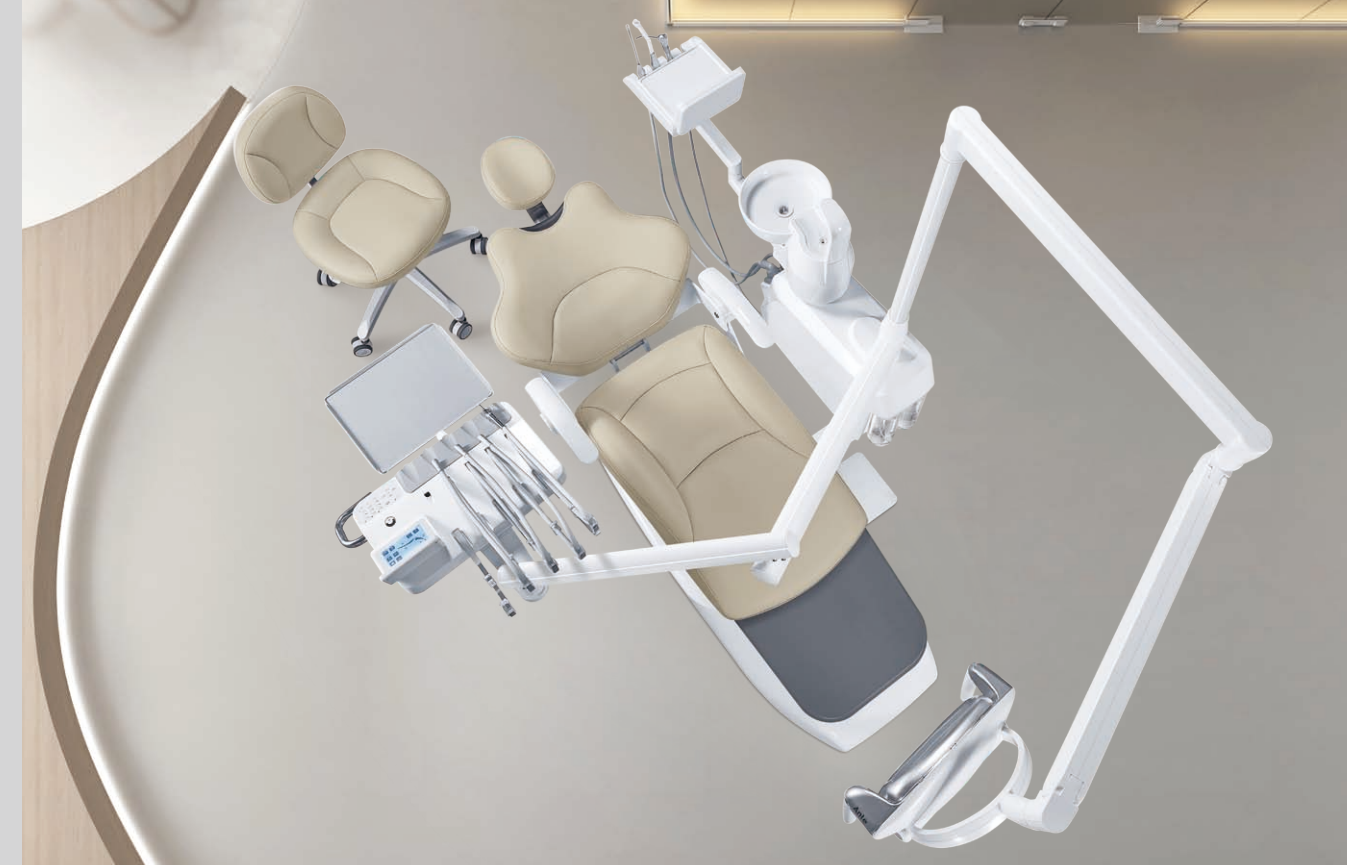
Dental Unit  
AL-388SD  
牙科综合治疗机



平稳与轻便的设计  
Stable and portable design

科学而专业的团队，赐予产品稳重而不失轻便的完美架构，对于注重可靠性与实用性的客户来说，这是他们理想中的产品。

The scientific and professional team gives the product a stable structure without losing its lightness. For customers who value reliability and practicality, this is their ideal product.



新式下挂工具盘  
一体式触控按键设计，时尚简洁，方便清理。

New hanging instrument tray,  
integrated touch button design, fashion and simple, easy to clean.



防碰撞移位设计，贴合人体工程力学，  
赋予完美的包裹感和支撑。

Anti-collision displacement design, fit the ergonomic mechanics,  
give the perfect sense of wrapping and support.



338B 医师座椅，可进行座垫升降，靠背升降俯仰。凹陷处能  
对人体腰臀腿部提供有效包裹，为医师提供舒适支撑。

338B dentist stool, Can carry out cushion lifting, backrest lifting and  
pitching. The depression can effectively wrap the waist, hips and legs  
of the human body, providing comfortable support for doctors.

Dental Unit  
**AL-398HG**  
牙科综合治疗机



## 柔软舒适的坐卧体验 Soft and comfortable sitting and lying experience

优质环保的皮革选材，柔软光滑的触感，让您体验完美的坐卧享受。

The high-quality and environmentally friendly leather materials, soft and smooth touch, let you experience the perfect sitting and lying enjoyment.



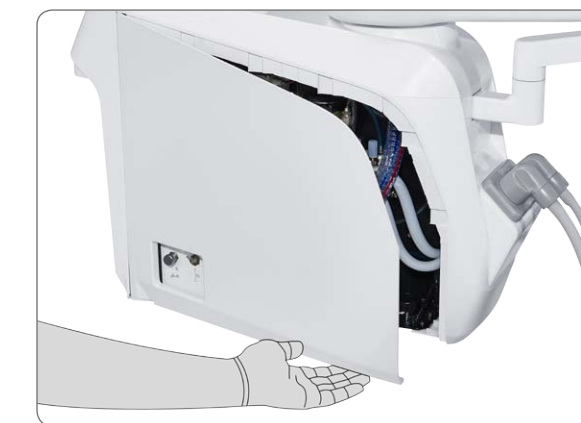
旋入式痰盂过滤器，  
操作简便，方便日常清洁。

Screw-in spittoon filter, easy to operate,  
convenient for daily cleaning.



触控按键助手单元，  
旋转更为灵活，方便医师进行四手操作。

Touch button assistant unit,  
more flexible rotation, convenient for four-hand operation.



磁吸式箱体门设计，便捷开合，易于维护。

Magnetic suction type cabinet door design, convenient opening  
and closing, easy to maintain.

Dental Unit  
**AL-398AA-1**  
牙科综合治疗机



新式下挂工具盘，一体式触控按键设计，九个椅架记忆位，满足各种使用需求。

New hanging instrument tray, integrated touch button design, nine chair frame memory bits, to meet various needs.



可拆卸式靠背及座垫，方便日常清洁护理。

Detachable Headrest & Backrest, it's convenience for cleaning.



Dental Unit  
AL-398HC  
牙科综合治疗机



创造实用的经典品质  
Created practical quality

我们将牙科医生追求的实用性与操作的灵活性集成在一种完美的设计方案中，凸显产品个性，力求平稳与轻便的完美结合。

We integrate the practicality and flexibility of the dentist to a perfect design that highlights the personality of the product and strives for a perfect combination of smooth.



玻璃痰盂，可旋转拆卸，冲盂漱口定量给水

Glass spittoon, can be rotated and disassembled, rinsing bowl mouthwash quantitative water supply



旋转式箱体，方便医护间四手操作，快捷运用于临床及手术治疗。

The rotating cabinet, convenience for dentist and assistant. it's quickly used in clinical and surgical treatment.



反射式 LED 口腔灯，感应开关，色温、照度可调。

Reflective LED operating light, Induction switch, color temperature & illumination adjustable

Dental Unit  
**AL-398AA**  
牙科综合治疗机



## 灵巧方便的操作方式 Ingenious and convenient operation

灵活的关节设计、直观而简洁的操作界面，赋予产品灵活的空间运动能力与简单方便的操作模式。

The flexible joint design, intuitive and lucid operation interface give the dental unit flexible soace movement abilty and simple and convenient operation mode.



椅架升级为加宽电动椅架，带补偿椅位设计。

The chair frame is upgraded to a wide electric chair frame with a compensation chair design.



助手架组合装置

Assistant's unit



可拆卸式靠背，安装简单快捷，方便日常清洁。

Removable backrest, simple and quick installation convenient for daily cleaning.

**Anle**  
Choose Anle, choose comfort  
安乐给您更安心的感觉



Dental Unit  
**AL-398BB**  
牙科综合治疗机



## 卓越的人机工效，科学的精妙设计！ Excellent ergonomics, scientific and exquisite design!

根据人体工程学完美的设计，让医生在使用过程中更加得心应手，令工作更轻松、顺畅。

Perfectly designed according to ergonomics, making dentist more handy during use, making work easier and smoother.



10 珠 LED 口腔灯  
三档旋钮调节 & 感应开关无级调节。

10 bead LED mouth light Three-step knob adjustment & Induction switch stepless adjustment.



紧急制动安全装置，  
能有效的保护使用者和患者的安全。

The emergency braking safety device can effectively protect the safety of users and patients.



地箱随意切换内置、外置模式，  
安装简单、方便。

Junction box, switch between built-in and built-out modes at will, easy and convenient to install.

**Anle**  
Choose Anle, choose comfort  
安乐给您更安心的感觉

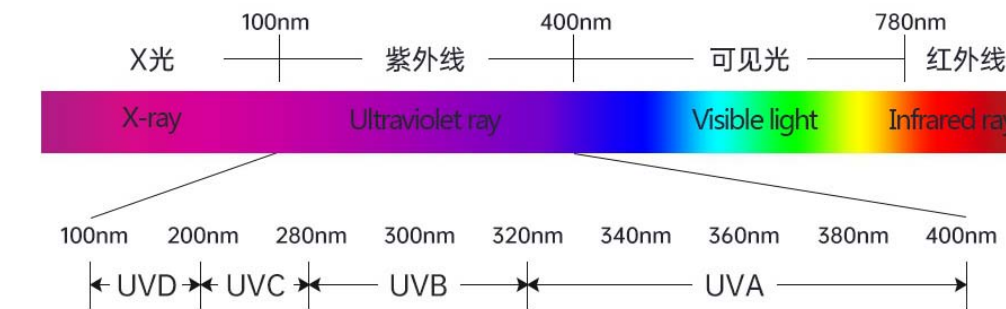
## UVC 水路灭菌消毒系统 UVC water sterilization and disinfection system

UVC 深紫外线过流式物理杀菌

UVC deep ultraviolet physical sterilization

无添加, 无耗材, 99.99% 杀菌率

Additive free, No consumables, 99.99% sterilization rate



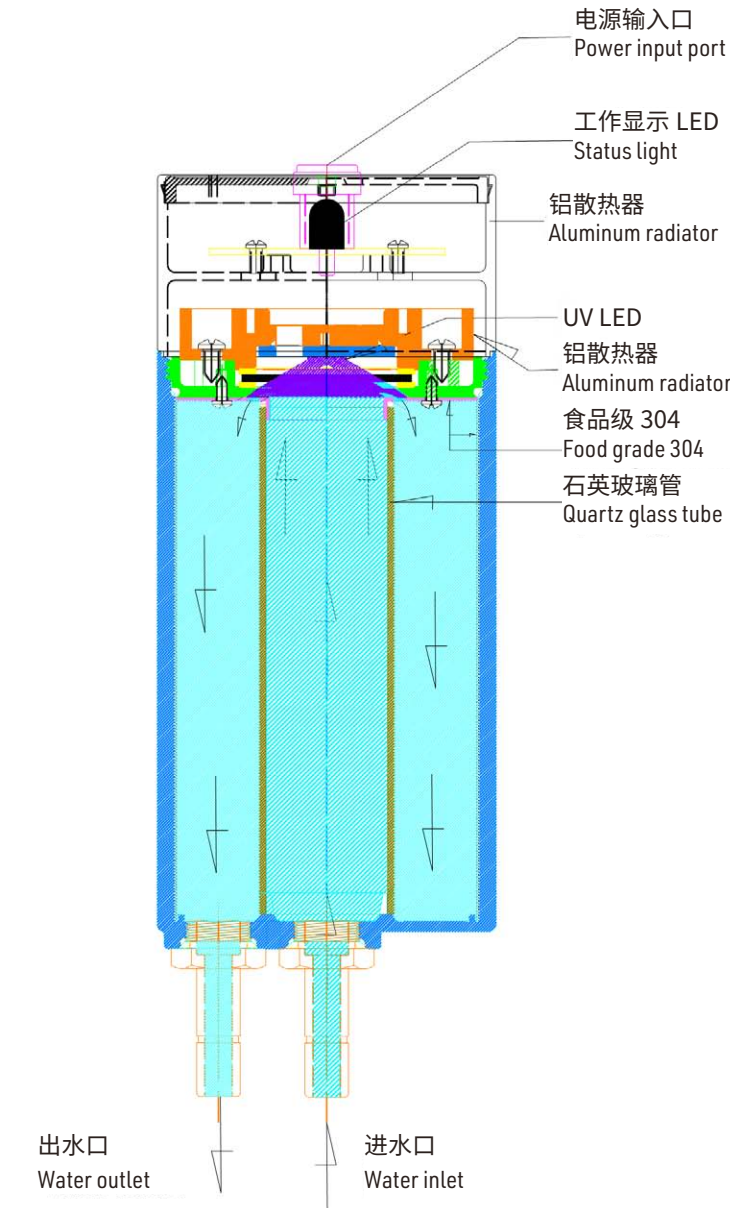
UVC 是波长为 200-280nm 的光线, 它能够穿透生物的细胞膜和细胞核, 破坏微生物机体中的 DNA 或 RNA 分子结构, 造成生长性细胞或再生性细胞死亡, 从而达到灭菌消毒的作用。

UVC is light with a wavelength of 200-280nm, which can penetrate the cell membrane and nucleus of organisms, damage the structure of DNA or RNA molecules in the microbial body, and cause the death of growing cells or regenerative cells, so as to achieve the role of disinfection.

## 液晶屏控制 LCD screen control

打开冲痰功能后按 UVC 键进入消毒模式。

Press the UVC key to enter the disinfection mode after opening the function of flushing sputum.



工作方式:

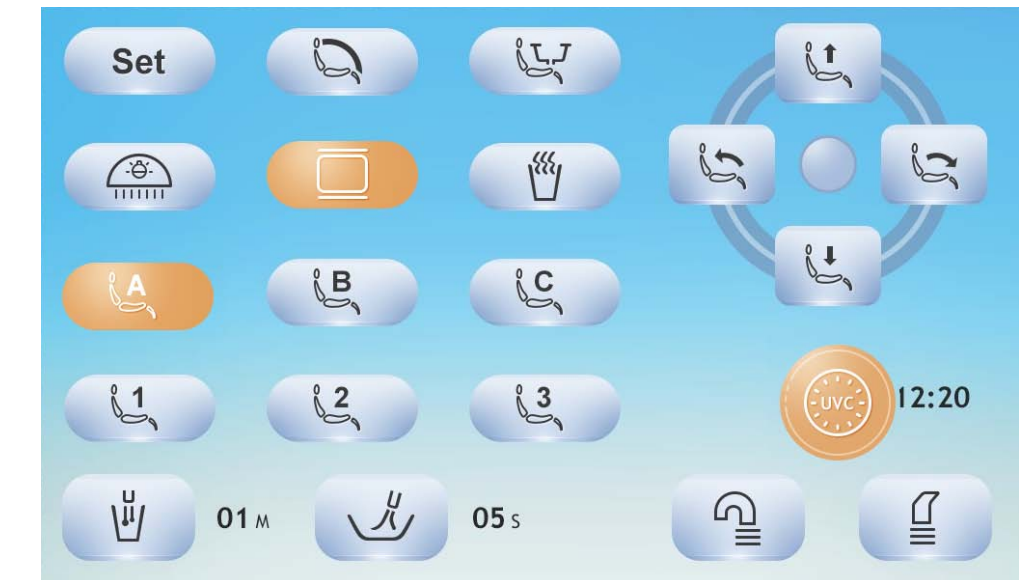
水经进水口进入石英管内, 受 UVC 照射灭菌消毒后经出水口流出。

Working mode:

Water enters the quartz tube through the water inlet, is irradiated by UVC for sterilization, and then flows out through the water outlet.

注: UVC 水路灭菌消毒器必须在保证全通水的环境下运行; 在缺水的情况下会因散热不佳造成 UVC 灯珠老化而至效能衰减。

Note: The UVC water line sterilization sterilizer must be operated in the environment of ensuring full water supply; In the absence of water, it will cause UVC lamp beads to decay due to poor heat dissipation.



## 选配件 / Optional parts



颈枕、背枕  
Neck pillow, back pillow



338B 医师座椅  
338B dental stool



338C 医师座椅  
338C dental stool



338D 医师座椅  
338D dental stool



UVC 灭菌消毒器  
UVC sterilizer



4# 脚踏  
4# foot switch



5# 脚踏  
5# foot switch



6# 脚踏  
6# foot switch

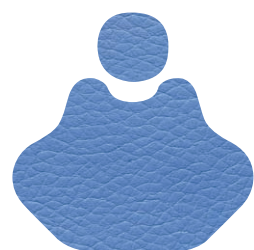


AL-7 LED 无影手术灯  
AL-7 LED Shadowless operating light



不锈钢推车式器械盘  
Stainless steel trolley type instrument tray

## 超细纤维皮革 / Microfiber leather



浅蓝 Light blue H-1



深蓝 Dark blue H-2



咖啡 Coffee H-3



玫瑰红 Rose H-4



桔黄 Orange H-5



灰白 Off white H-6



翡翠绿 Emerald H-7

## PU 皮革 / PU leather



天蓝 Sky blue P-1



深蓝 Dark blue P-2



草绿 Grass green P-3



黄色 Yellow P-4



橘黄 Orange P-5

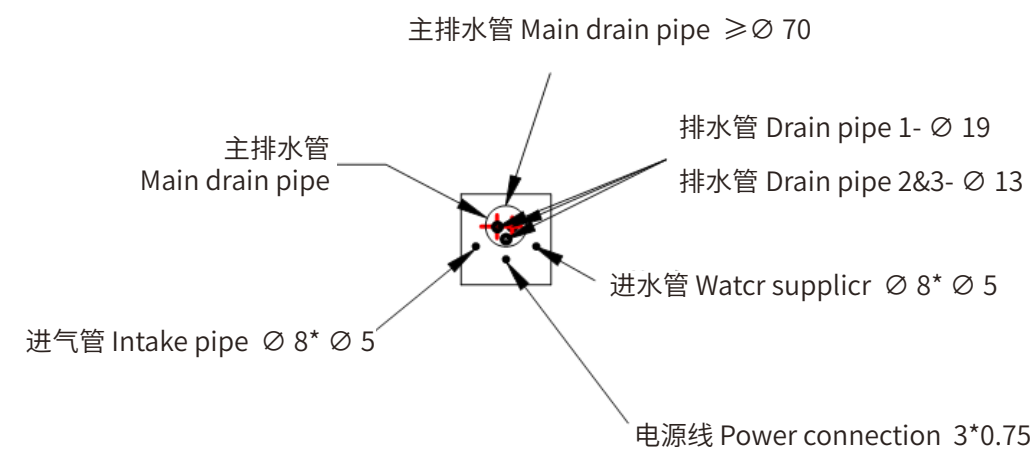
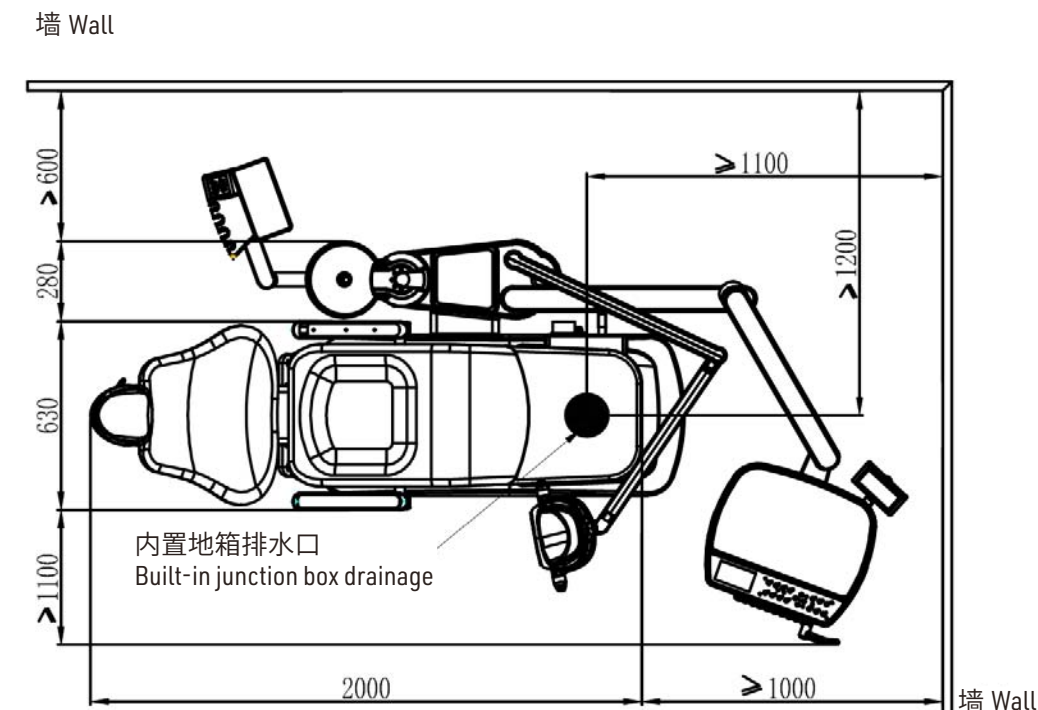
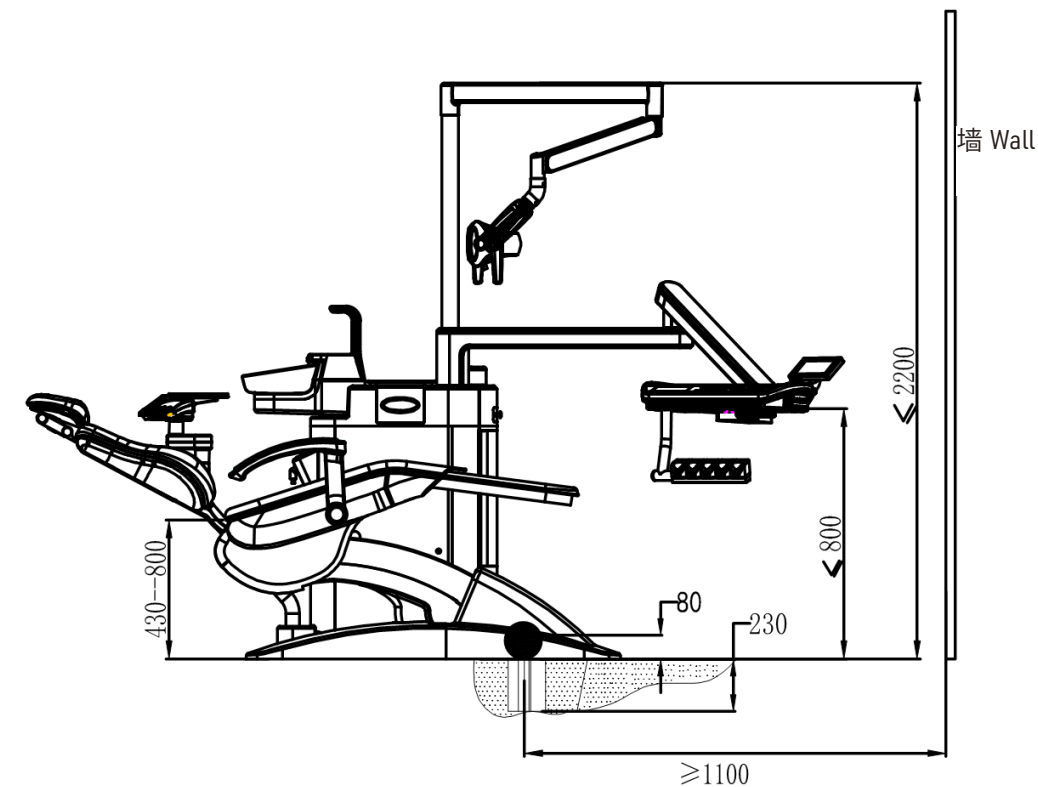


象牙黄 Ivory P-6



苹果绿 EApple green P-7

## 施工参考图 / Construction reference drawing



## 技术参数 Technical specification

电源电压 supply voltage	AC220V/50HZ
水源水压 Water pressure	0.2MPA-0.6MPA
气源气压 Air source pressure	0.6MPA-0.8MPA
气源流量 Air source flow rate	> 50L/min

