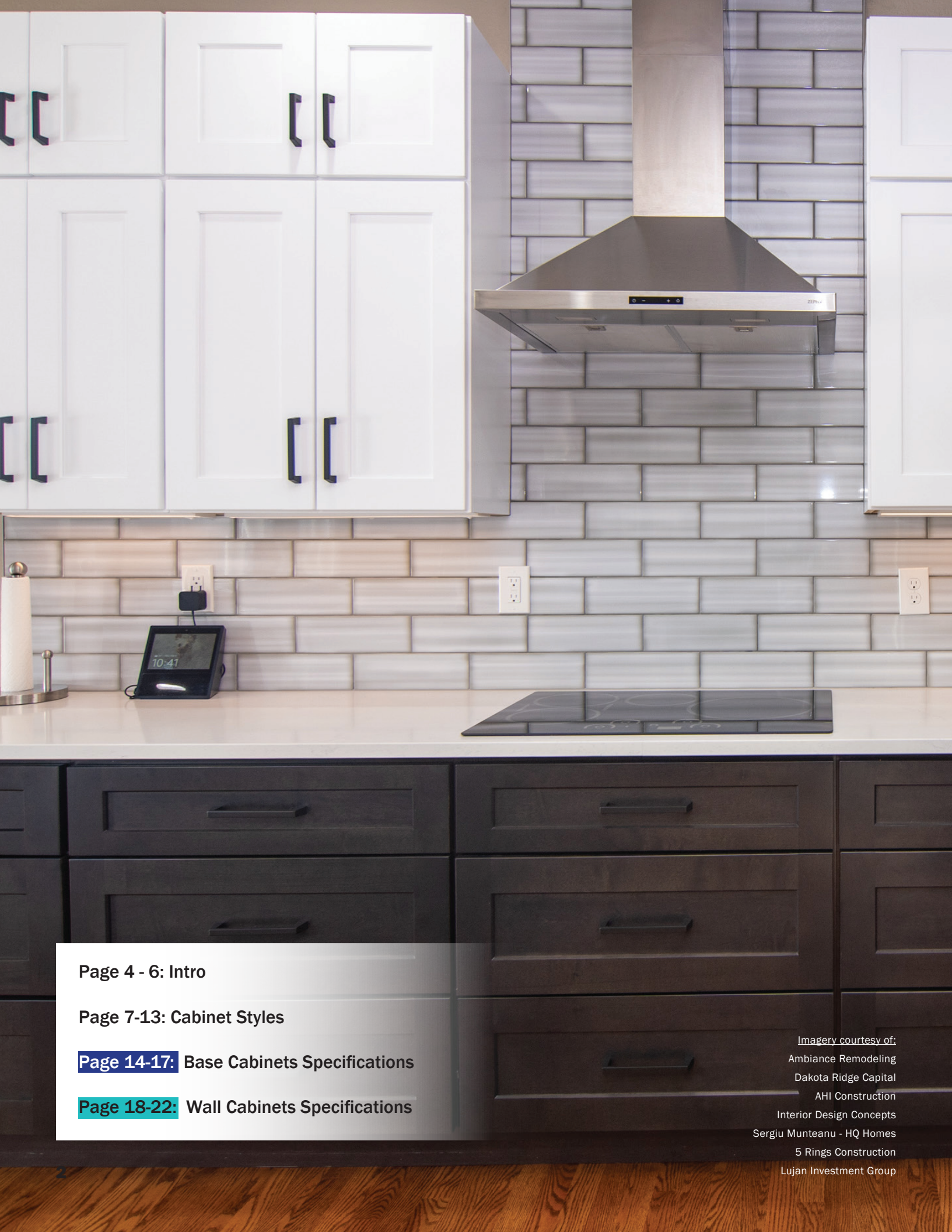


# PRODUCT CATALOG



[www.DenverCabinetExpress.com](http://www.DenverCabinetExpress.com)





Page 4 - 6: Intro

Page 7-13: Cabinet Styles

Page 14-17: Base Cabinets Specifications

Page 18-22: Wall Cabinets Specifications

Imagery courtesy of:

Ambiance Remodeling

Dakota Ridge Capital

AHI Construction

Interior Design Concepts

Sergiu Munteanu - HQ Homes

5 Rings Construction

Lujan Investment Group





Vanity Cabinets Specifications: **Page 23-25**

Accessories: **Page 26-30**

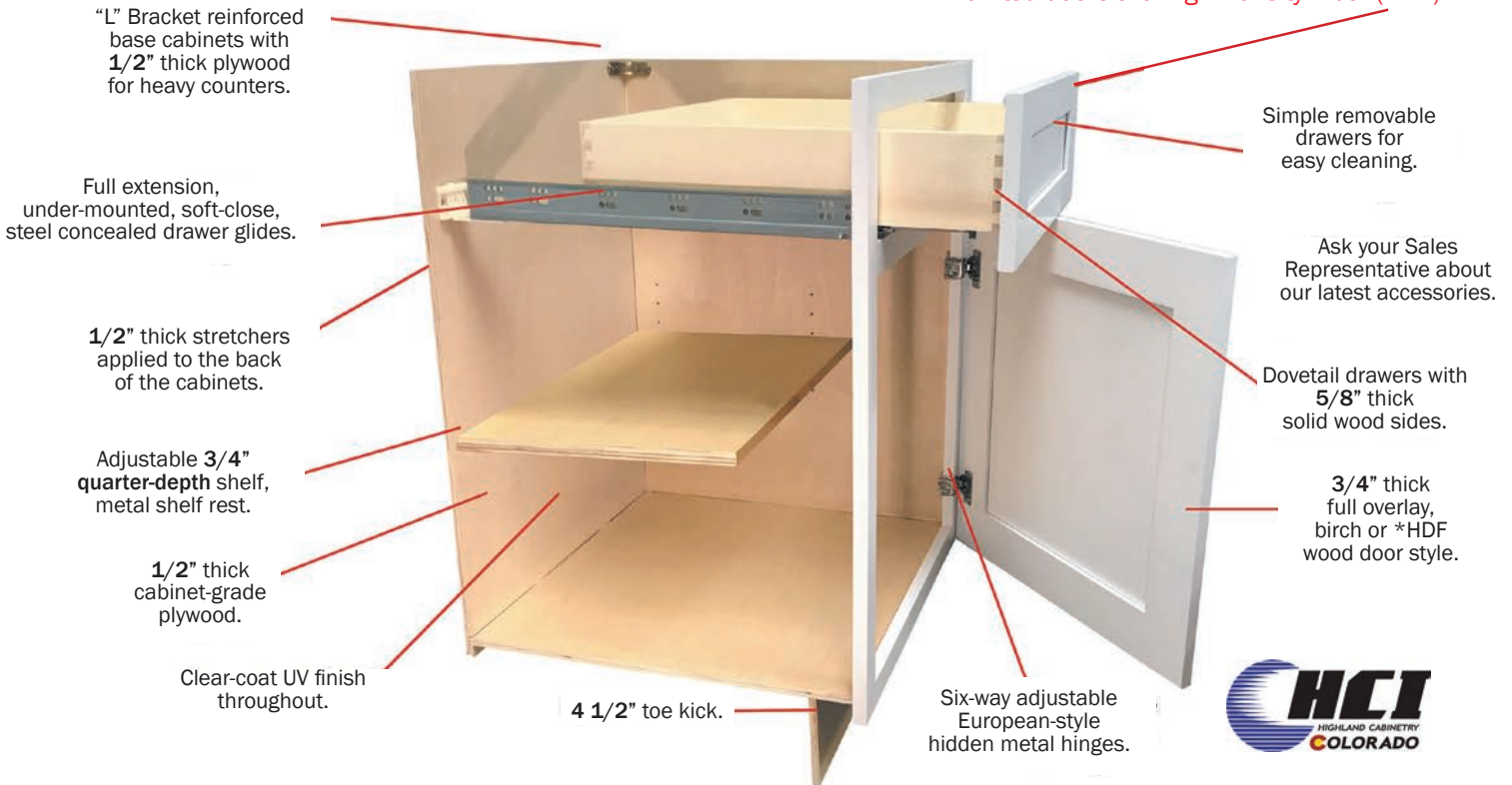
Limited Lifetime Warranty: **Page 31-32**

Price Index: **Page 33-44**

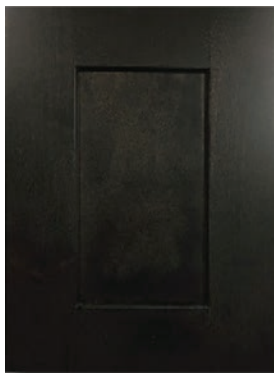
# SHAKER CABINET FEATURES

5 Piece Door and Drawer Fronts.

\*Painted doors are High Density Fiber (HDF).



## CABINET STYLES



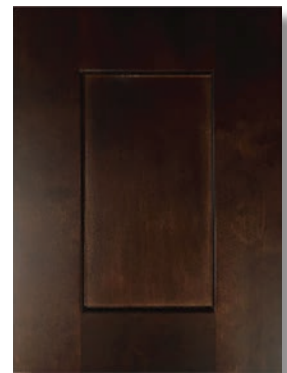
Modern Slate Shaker



Grey Shaker



White Shaker



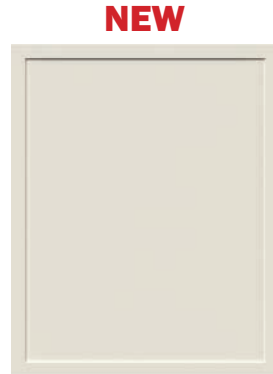
Espresso Shaker



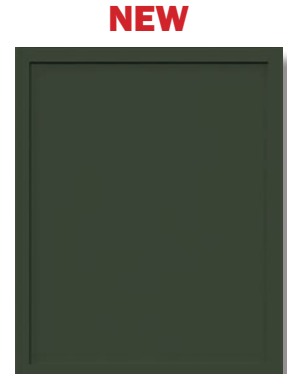
Signature Blue



Onyx Shaker



Slim Dove White



Slim Saige Green

**NEW**

**NEW**



# WHOLESALE CABINETS

## WHITE SHAKER PAINTED

**Wood:** Painted or Stained, Birch, High Density Fiberboard (HDF)

Full overlay door panel, 3/4" thick door panel

**Door Panel:** Recessed door style, reversed raised door panel on the back

Painted surfaces are made of HDF.

**Drawer:** 5/8" thick cabinet grade plywood sides  
with full extension, under-mounted, soft-close,  
steel concealed drawer glides

**Interior:** Natural clear coat finish

**Box:** 1/2" thick cabinet grade plywood with metal  
L-bracket reinforcements for base cabinets

**Hardware:** 6-way adjustable 1 1/4" hinge with soft  
closing insert

**Shelf:** Quarter-depth, adjustable 3/4" thick cabinet  
grade plywood, metal shelf rests

**Warranty:** Limited Lifetime Warranty



WHOLESALE CABINETS  
PAINTED **GREY SHAKER**





WHOLESALE CABINETS

# ESPRESSO SHAKER STAIN



STAIN **MODERN SLATE SHAKER**





WHOLESALE CABINETS

# SIGNATURE BLUE PAINTED





WHOLESALE CABINETS  
PAINTED **ONYX SHAKER**



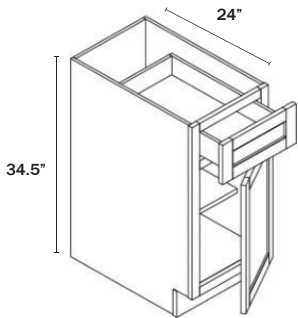


# BASE CABINETS



## BASE CABINET

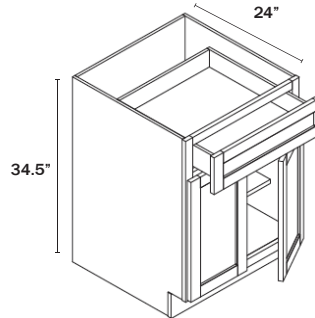
1 Door, 1 Drawer



Name	Size	Wt
<b>B09</b>	9w x 34.5h x 24d	45 lb
<b>B12</b>	12w x 34.5h x 24d	48 lb
<b>B15</b>	15w x 34.5h x 24d	53 lb
<b>B18</b>	18w x 34.5h x 24d	56 lb
<b>B21</b>	21w x 34.5h x 24d	60 lb

## BASE CABINET

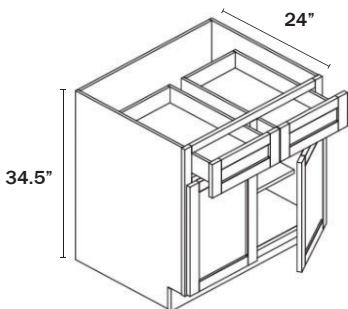
2 Doors, 1 Drawer



Name	Size	Wt
<b>B24</b>	24w x 34.5h x 24d	66 lb
<b>B27</b>	27w x 34.5h x 24d	71 lb
<b>B30</b>	30w x 34.5h x 24d	84 lb

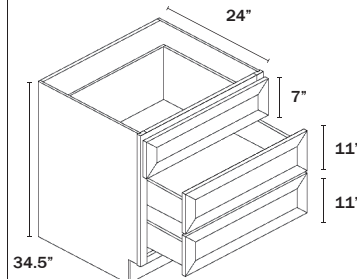
## BASE CABINET

2 Doors, 2 Drawers



Name	Size	Wt
<b>B33</b>	33w x 34.5h x 24d	88 lb
<b>B36</b>	36w x 34.5h x 24d	92 lb
<b>B42</b>	42w x 34.5h x 24d	97 lb

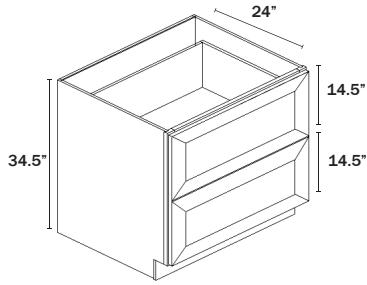
## 3-DRAWER BASE CABINET\*



Name	Size	Wt
<b>3DB12</b>	12w x 34.5h x 24d	71 lb
<b>3DB15</b>	15w x 34.5h x 24d	79 lb
<b>3DB18</b>	18w x 34.5h x 24d	84 lb
<b>3DB21</b>	21w x 34.5h x 24d	89 lb
<b>3DB24</b>	24w x 34.5h x 24d	96 lb
<b>3DB30</b>	30w x 34.5h x 24d	106 lb
<b>3DB36</b>	36w x 34.5h x 24d	114 lb

\*Utensil Drawers hold up to 30lbs, Large Base Drawers hold up to 75lbs.

## 2-DRAWER BASE CABINET

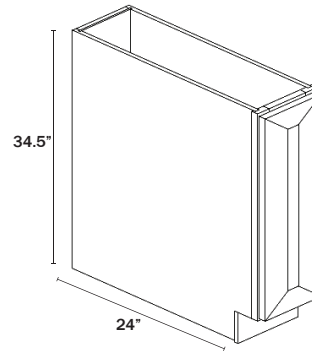


Name	Size	Wt
<b>2DB24</b>	24w x 34.5h x 24d	86 lb
<b>2DB30</b>	30w x 34.5h x 24d	96 lb
<b>2DB36</b>	36w x 34.5h x 24d	107 lb

\*Utensil Drawers hold up to 30lbs, Large Base Drawers hold up to 75lbs.

## BASE CABINET FULL HEIGHT DOOR

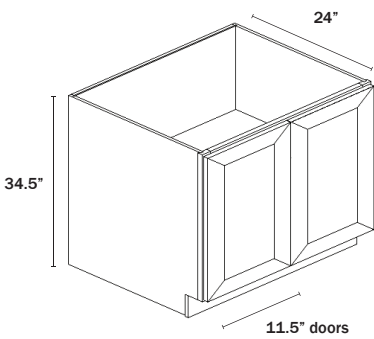
### 1 Door



Name	Size	Wt
<b>B09FHD</b>	9w x 34.5h x 24d	45 lb

## BASE CABINET FULL HEIGHT DOOR

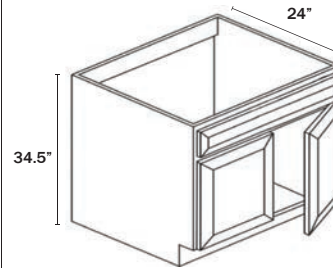
### 2 Doors



Name	Size	Wt
<b>B24FHD</b>	24w x 34.5h x 24d	66 lb

## SINK BASE CABINET

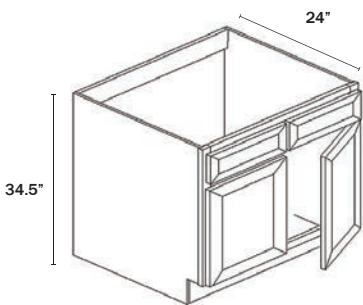
### 2 Doors, 1 False Drawer



Name	Size	Wt
<b>SB24</b>	24w x 34.5h x 24d	47 lb
<b>SB27</b>	27w x 34.5h x 24d	51 lb
<b>SB30</b>	30w x 34.5h x 24d	52 lb
<b>SB33</b>	33w x 34.5h x 24d	53 lb

## SINK BASE CABINET

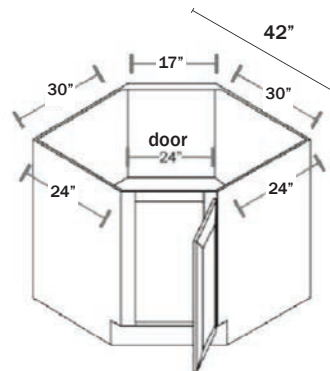
### 2 Doors, 2 False Drawers



Name	Size	Wt
<b>SB36</b>	36w x 34.5h x 24d	57 lb
<b>SB42</b>	42w x 34.5h x 24d	62 lb

## CORNER SINK BASE CABINET

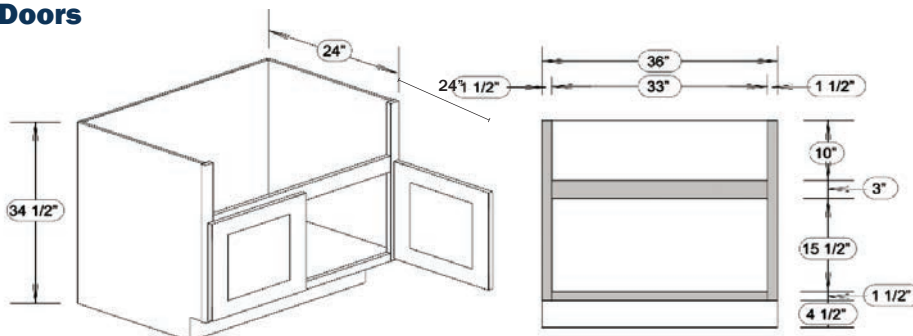
### 1 Door



Name	Size	Wt
<b>CSB42</b>	42w x 34.5h x 24d	72 lb

## FARM HOUSE SINK BASE CABINET

### 2 Doors



Name	Size	Wt
<b>FSM36</b>	36w x 34.5h x 24d	57lb

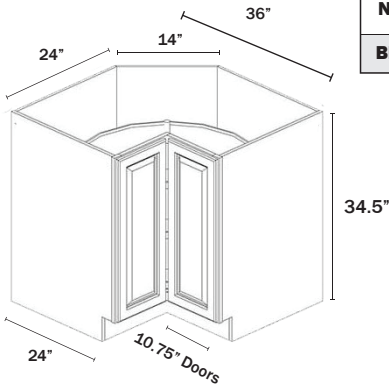
Extra fillers may be needed to frame the apron/front of the sink; sink sizes vary.

18"W x 18"H Doors.



**BASE LAZY SUSAN CABINET**

**2 Doors**

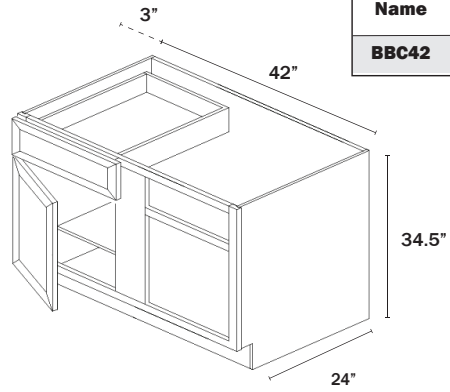


Name	Size	Wt
<b>BLS36</b>	36w x 34.5h x 24d	113 lb

BLS36 Door width - 10 3/4"

**BLIND CORNER BASE CABINET**

**1 Door, 1 Drawer**



Name	Size	Wt
<b>BBC42</b>	42w x 34.5h x 24d	81 lb

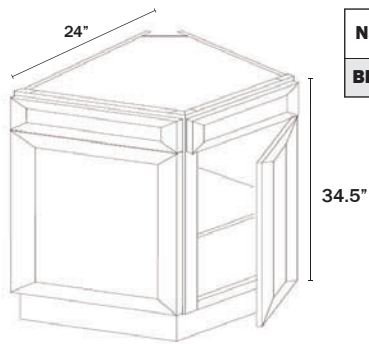
Specify left or right

Minimum 3" pull from the wall

Door & Drawer width - 18"

**BASE END CORNER CABINET**

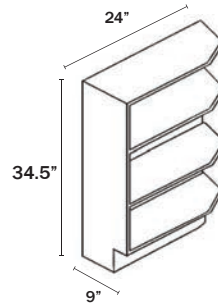
**2 Doors, 2 False Fronts**



Name	Size	Wt
<b>BEC24</b>	24w x 34.5h x 24d	51 lb

Two 18 5/8" doors.

**BASE END SHELF CABINET**



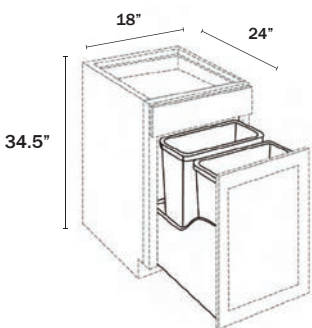
Name	Size	WT
<b>BES09</b>	9w x 34.5h x 24d	37 lb

Specify left or right.

Two-piece, Shelf and Toe-kick.

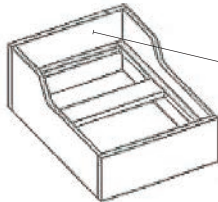
**BASE TRASH CABINET**

**1 Door, 1 Drawer**



Name	Size	Wt
<b>BWBK18</b>	18w x 34.5h x 24d	66 lb

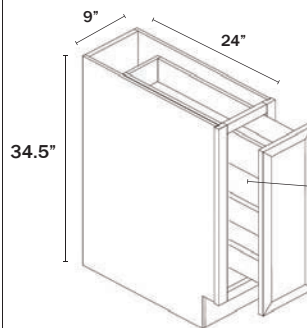
Includes two 27 quart trash cans.



Attaches to Door.  
\*Can be installed in the field into a B21 cabinet as well.

**BASE SPICE RACK CABINET**

**1 Door**

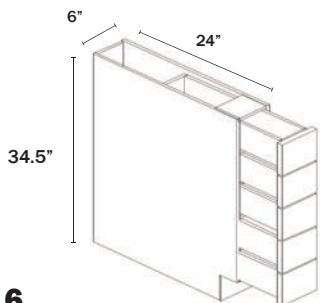


Name	Size	Wt
<b>SP09</b>	9w x 34.5h x 24d	45 lb

Three 4" Wide levels.

**BASE SPICE DRAWERS CABINET**

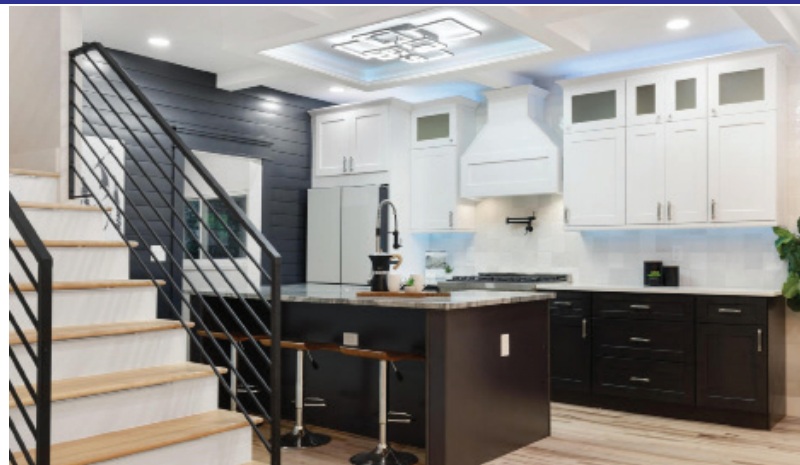
**5 Drawers**



Name	Size	Wt
<b>BWRC6</b>	6w x 34.5h x 24d	59 lb

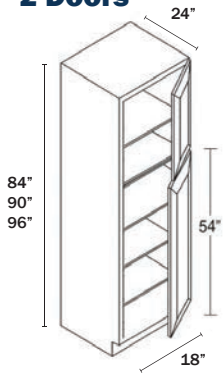
No soft close.

No drawer guides.



## TALL PANTRY CABINET

### 2 Doors

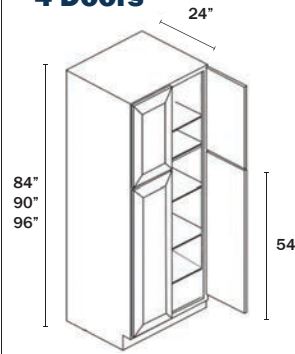


Name	Size	Wt
<b>PC188424</b>	18w x 84h x 24d	145 lb
<b>PC189024</b>	18w x 90h x 24d	152 lb
<b>PC189624</b>	18w x 96h x 24d	158 lb

Comes with shelves only.  
Roll Out Tray upgrade optional, see Accessories.

## TALL PANTRY CABINET

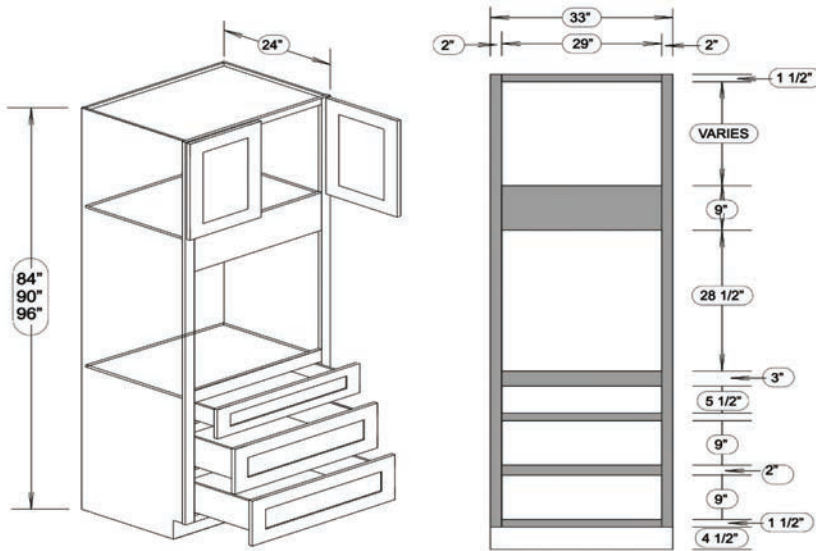
### 4 Doors



Name	Size	Wt
<b>PC248424</b>	24w x 84h x 24d	160 lb
<b>PC249024</b>	24w x 90h x 24d	171 lb
<b>PC249624</b>	24w x 96h x 24d	183 lb
<b>PC308424</b>	30w x 84h x 24d	180 lb
<b>PC309024</b>	30w x 90h x 24d	191 lb
<b>PC309624</b>	30w x 96h x 24d	206 lb

Comes with shelves only.  
Roll Out Tray upgrade optional, see Accessories.

## TALL OVEN CABINET: 2 Doors, 1 or 3 bottom drawers



Name	Size	Wt
<b>OC338424</b>	33w x 84h x 24d	153 lb
<b>OC339024</b>	33w x 90h x 24d	165 lb
<b>OC339624</b>	33w x 96h x 24d	175 lb

Will work for single oven, Oven/Microwave Combo or double oven. One bottom drawer remains for double oven & Oven/Microwave configuration (divider will need to be cut).

Extra Trim piece(s) may be needed.

Additional modification charge(s) may apply.



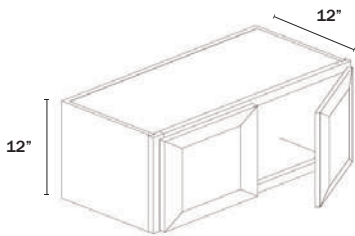


# WALL CABINETS



## WALL CABINET 12" HIGH

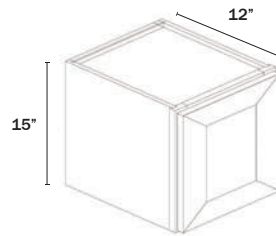
2 Doors



Name	Size	Wt
W3012	30w x 12h x 12d	23 lb
W3312	33w x 12h x 12d	25 lb
W3612	36w x 12h x 12d	26 lb

## WALL CABINET 15" HIGH

1 Door

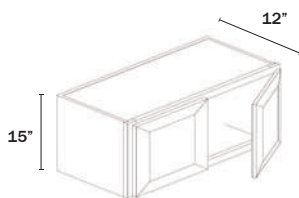


Name	Size	Wt
W1515	15w x 15h x 12d	16 lb
W1815	18w x 15h x 12d	19 lb
W2115	21w x 15h x 12d	21 lb

Specify left or right hinge

## WALL CABINET 15" HIGH

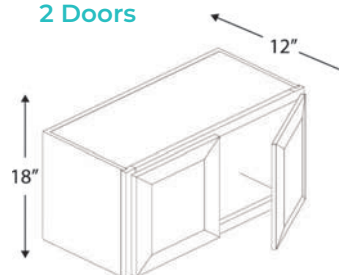
2 Doors



Name	Size	Wt
W2415	24w x 15h x 12d	23 lb
W2715	27w x 15h x 12d	25 lb
W3015	30w x 15h x 12d	27 lb
W3315	33w x 15h x 12d	28 lb
W3615	36w x 15h x 12d	30 lb

## WALL CABINET 18" HIGH

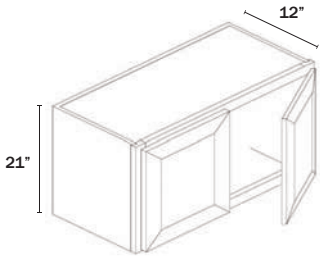
2 Doors



Name	Size	Wt
W3018	30w x 18h x 12d	29 lb
W3318	33w x 18h x 12d	31 lb
W3618	36w x 18h x 12d	33 lb

## WALL CABINET 21" HIGH

### 2 Doors

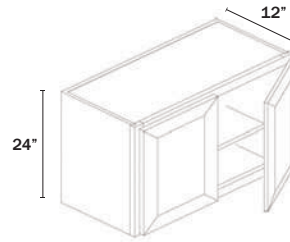


Name	Size	Wt
<b>W3021</b>	30w x 21h x 12d	32 lb
<b>W3321</b>	33w x 21h x 12d	34 lb
<b>W3621</b>	36w x 21h x 12d	39 lb

No center style.

## WALL CABINET 24" HIGH

### 2 Doors

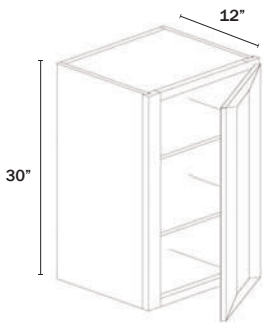


Name	Size	Wt
<b>W3024</b>	30w x 24h x 12d	39 lb
<b>W3324</b>	33w x 24h x 12d	43 lb
<b>W3624</b>	36w x 24h x 12d	44 lb

No center style.

## WALL CABINET 30" HIGH

### 1 Door

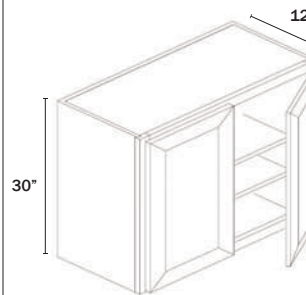


Name	Size	Wt
<b>W0930</b>	09w x 30h x 12d	23 lb
<b>W1230</b>	12w x 30h x 12d	26 lb
<b>W1530</b>	15w x 30h x 12d	30 lb
<b>W1830</b>	18w x 30h x 12d	33 lb
<b>W2130</b>	21w x 30h x 12d	35 lb

Specify left or right hinge.

## WALL CABINET 30" HIGH

### 2 Doors

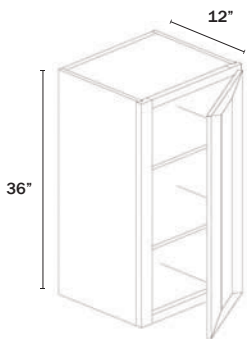


Name	Size	Wt
<b>W2430</b>	24w x 30h x 12d	38 lb
<b>W2730</b>	27w x 30h x 12d	45 lb
<b>W3030</b>	30w x 30h x 12d	49 lb
<b>W3330</b>	33w x 30h x 12d	53 lb
<b>W3630</b>	36w x 30h x 12d	55 lb
<b>W4230</b>	42w x 30h x 12d	63 lb

No center style.

## WALL CABINET 36" HIGH

### 1 Door

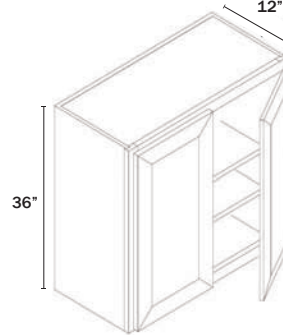


Name	Size	Wt
<b>W0936</b>	09w x 36h x 12d	26 lb
<b>W1236</b>	12w x 36h x 12d	30 lb
<b>W1536</b>	15w x 36h x 12d	32 lb
<b>W1836</b>	18w x 36h x 12d	37 lb
<b>W2136</b>	21w x 36h x 12d	41 lb

Specify left or right hinge.

## WALL CABINET 36" HIGH

### 2 Doors

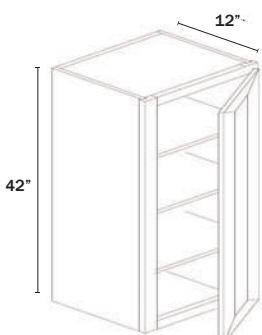


Name	Size	Wt
<b>W2436</b>	24w x 36h x 12d	46 lb
<b>W2736</b>	27w x 36h x 12d	48 lb
<b>W3036</b>	30w x 36h x 12d	54 lb
<b>W3336</b>	33w x 36h x 12d	58 lb
<b>W3636</b>	36w x 36h x 12d	62 lb
<b>W4236</b>	42w x 36h x 12d	69 lb

No center style.

## WALL CABINET 42" HIGH

### 1 Door

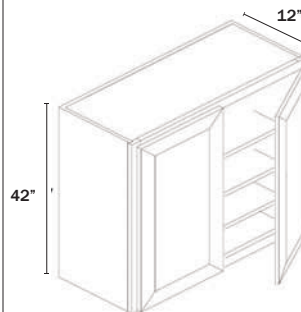


Name	Size	Wt
<b>W0942</b>	09w x 42h x 12d	30 lb
<b>W1242</b>	12w x 42h x 12d	34 lb
<b>W1542</b>	15w x 42h x 12d	37 lb
<b>W1842</b>	18w x 42h x 12d	42 lb
<b>W2142</b>	21w x 42h x 12d	46 lb

Specify left or right hinge.

## WALL CABINET 42" HIGH

### 2 Doors



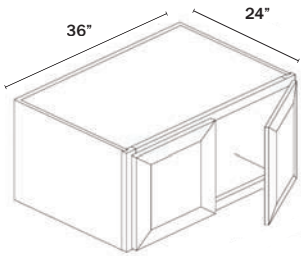
Name	Size	Wt
<b>W2442</b>	24w x 42h x 12d	52 lb
<b>W2742</b>	27w x 42h x 12d	58 lb
<b>W3042</b>	30w x 42h x 12d	63 lb
<b>W3342</b>	33w x 42h x 12d	66 lb
<b>W3642</b>	36w x 42h x 12d	72 lb
<b>W4242</b>	42w x 42h x 12d	81 lb

No center style.



### WALL FRIDGE CABINET

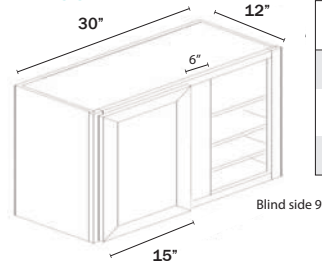
2 Doors



Name	Size	Wt
W361224	36w x 12h x 24d	33 lb
W361524	36w x 15h x 24d	38 lb
W361824	36w x 18h x 24d	39 lb
W362124	36w x 21h x 24d	50 lb
W362424	36w x 24h x 24d	67 lb

### WALL BLIND CORNER CABINET

1 Door

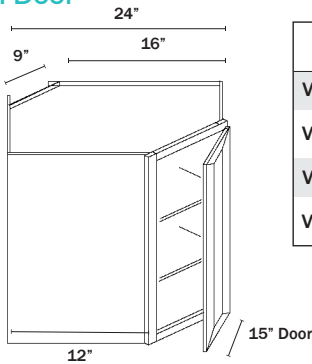


Name	Size	Wt
WBC3030	30w x 30h x 12d	44 lb
WBC3036	30w x 36h x 12d	50 lb
WBC3042	30w x 42h x 12d	57 lb

Door is 15" wide  
Specify left or right

### WALL DIAGONAL CORNER 24" Wide

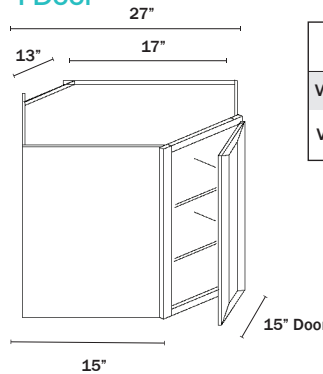
1 Door



Name	Size	Wt
WDC2415	24w x 15h x 12d	31 lb
WDC2430	24w x 30h x 12d	58 lb
WDC2436	24w x 36h x 12d	64 lb
WDC2442	24w x 42h x 12d	75 lb

### WALL DIAGONAL CORNER 27" Wide

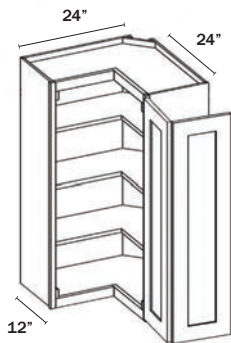
1 Door



Name	Size	Wt
WDC273615	27w x 36h x 15d	77 lb
WDC274215	27w x 42h x 15d	90 lb

### WALL EASY REACH CABINET

2 Doors

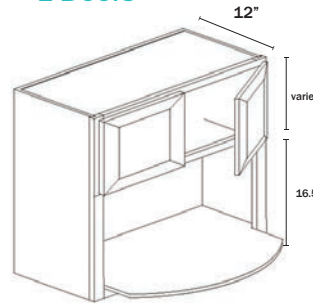


Name	Size	Wt
WLS2430	24w x 30h x 12d	60 lb
WLS2436	24w x 36h x 12d	67 lb
WLS2442	24w x 42h x 12d	79 lb

Shelves only.

### WALL MICROWAVE CABINET

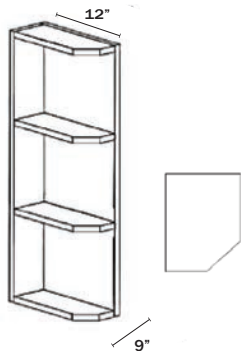
2 Doors



Name	Size	Wt
WMC2730	27w x 30h x 12d	39 lb
WMC2736	27w x 36h x 12d	45 lb
WMC2742	27w x 42h x 12d	49 lb
WMC3030	30w x 30h x 12d	49 lb
WMC3036	30w x 36h x 12d	55 lb
WMC3042	30w x 42h x 12d	59 lb

Interior opening height 16 1/2"  
Max appliance width, subtract 3" from cabinet width

### WALL END SHELVES



Name	Size	Wt
WES0930	09w x 30h x 12d	19 lb
WES0936	09w x 36h x 12d	20 lb
WES0942	09w x 42h x 12d	24 lb

Specify left or right.  
Finished shelves.

### WALL END CABINET

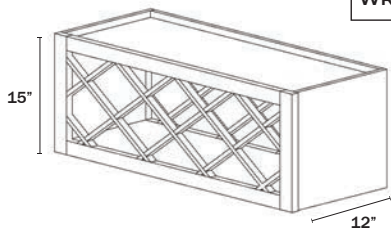
2 Doors



Name	Size	Wt
WEC1230	12w x 30h x 12d	26 lb
WEC1236	12w x 36h x 12d	30 lb
WEC1242	12w x 42h x 12d	42 lb

## WALL WINE

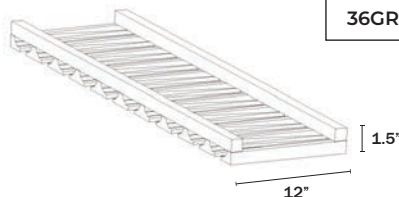
Name	Size	Wt
WRC3015	30w x 15h x 12d	25 lb
WRC3615	36w x 15h x 12d	28 lb



Can be used vertical.

## WALL GLASS RACK

Name	Size	Wt
30GR	30w x 1.5h x 12d	7 lb
36GR	36w x 1.5h x 12d	7 lb



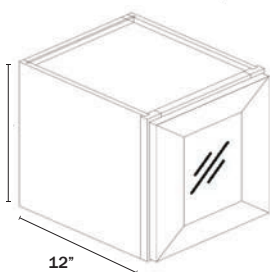
Attaches under cabinet.

## WALL GLASS CABINET 15" HIGH

### 1 Door

Name	Size	Wt
W1515GD	15w x 15h x 12d	15 lb
W1815GD	18w x 15h x 12d	18 lb
W2115GD	21w x 15h x 12d	20 lb

Frosted glass.  
Finished interior is an upgrade option.  
Specify left or right hinge.

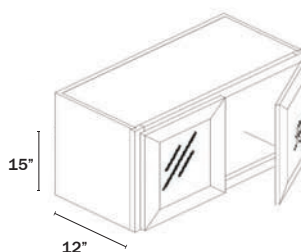


## WALL GLASS CABINET 15" HIGH

### 2 Doors

Name	Size	Wt
W2415GD	24w x 15h x 12d	23 lb
W2715GD	27w x 15h x 12d	25 lb
W3015GD	30w x 15h x 12d	28 lb
W3315GD	33w x 15h x 12d	28 lb
W3615GD	36w x 15h x 12d	31 lb

Frosted glass.  
Finished interior is an upgrade option.  
No center style.

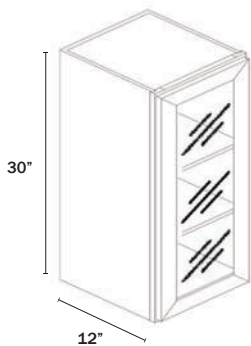


## WALL GLASS CABINET 30" HIGH

### 1 Door

Name	Size	Wt
W1530GD	15w x 30h x 12d	30 lb
W1830GD	18w x 30h x 12d	34 lb

Frosted glass.  
Finished interior is an upgrade option.  
Specify left or right hinge.

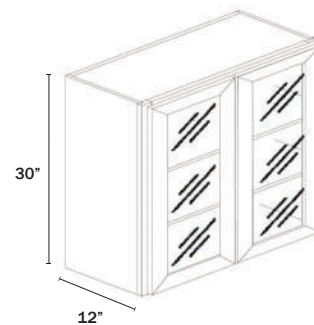


## WALL GLASS CABINET 30" HIGH

### 2 Doors

Name	Size	Wt
W2430GD	24w x 30h x 12d	40 lb
W3030GD	30w x 30h x 12d	50 lb
W3630GD	36w x 30h x 12d	60 lb

Frosted glass.  
Finished interior is an upgrade option.  
No center style.

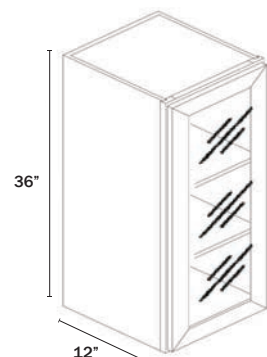


## WALL GLASS CABINET 36" HIGH

### 1 Door

Name	Size	Wt
W1536GD	15w x 36h x 12d	14 lb
W1836GD	18w x 36h x 12d	14 lb

Frosted glass.  
Finished interior is an upgrade option.  
Specify left or right hinge.

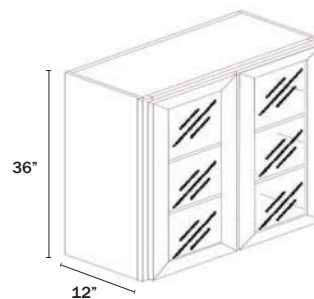


## WALL GLASS CABINET 36" HIGH

### 2 Doors

Name	Size	Wt
W2436GD	24w x 36h x 12d	50 lb
W3036GD	30w x 36h x 12d	58 lb
W3636GD	36w x 36h x 12d	66 lb

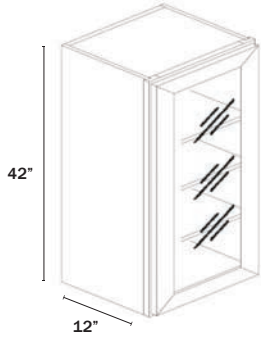
Frosted glass.  
Finished interior is an upgrade option.  
No center style.





WALL GLASS CABINET 42" HIGH

1 Door

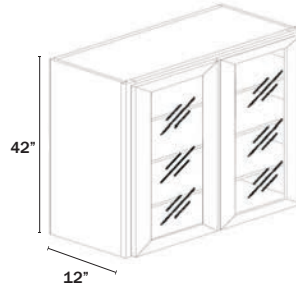


Name	Size	Wt
W1542GD	15w x 42h x 12d	44 lb
W1842GD	18w x 42h x 12d	61 lb

Frosted glass.  
Finished interior is an upgrade option.

WALL GLASS CABINET 42" HIGH

2 Doors

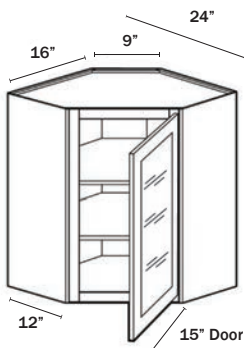


Name	Size	Wt
W2442GD	24w x 42h x 12d	66 lb
W3042GD	30w x 42h x 12d	72 lb
W3642GD	36w x 42h x 12d	79 lb

Frosted glass.  
Finished interior is an upgrade option.

WALL DIAGONAL GLASS CORNER 24" Wide

1 Door

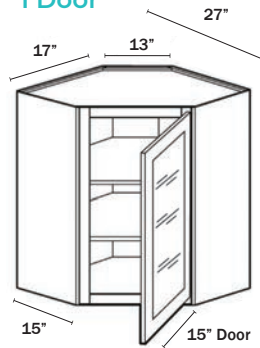


Name	Size	Wt
WDC2415GD	24w x 15h x 12d	31 lb
WDC2430GD	24w x 30h x 12d	64 lb
WDC2436GD	24w x 36h x 12d	70 lb
WDC2442GD	24w x 42h x 12d	80 lb

Frosted glass.  
Finished interior is an upgrade option.  
Door width 15".

WALL DIAGONAL GLASS CORNER 27" Wide

1 Door



Name	Size	Wt
WDC273615GD	27w x 36h x 15d	82 lb
WDC274215GD	27w x 42h x 15d	100 lb

Frosted glass.  
Finished interior is an upgrade option.  
Door width 15".

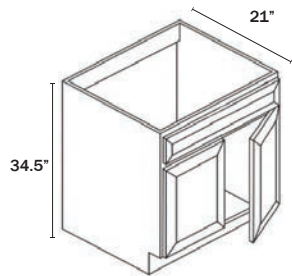


# VANITY CABINETS



## VANITY SINK BASE CABINET

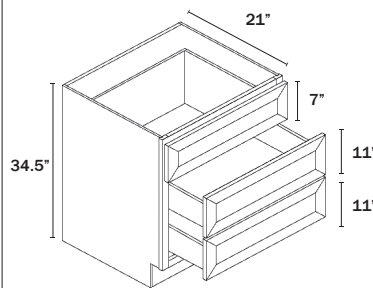
2 Doors, 1 False Drawer



Name	Size	Wt
VSB2421	24w x 34.5h x 21d	42 lb
VSB2721	27w x 34.5h x 21d	45 lb
VSB3021	30w x 34.5h x 21d	48 lb
VSB3621	36w x 34.5h x 21d	54 lb

## VANITY DRAWER BASE CABINET

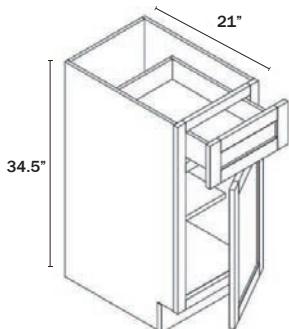
3 Drawers



Name	Size	Wt
VDB12	12w x 34.5h x 21d	69 lb
VDB15	15w x 34.5h x 21d	74 lb
VDB18	18w x 34.5h x 21d	81 lb
VDB21	21w x 34.5h x 21d	86 lb
VDB24	24w x 34.5h x 21d	94 lb

## VANITY SINK BASE CABINET

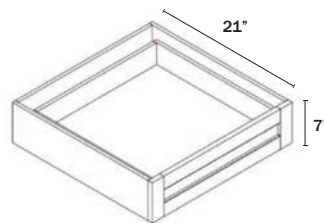
1 Door, 1 Drawer



Name	Size	Wt
VB09	9w x 34.5h x 21d	35 lb
VB12	12w x 34.5h x 21d	47 lb
VB15	15w x 34.5h x 21d	50 lb
VB18	18w x 34.5h x 21d	56 lb

## VANITY KNEE DRAWER

1 Drawer



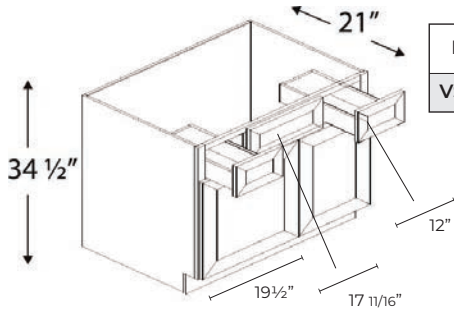
Name	Size	Wt
KD24	24w x 7h x 21d	29 lb
KD30	30w x 7h x 21d	34 lb
KD36	36w x 7h x 21d	39 lb

Commonly used as a desk drawer or an additional stacked drawer



**VANITY SINK BASE COMBO 42"**

**1 Drawer Left, 1 Drawer Right, Sink Centered**

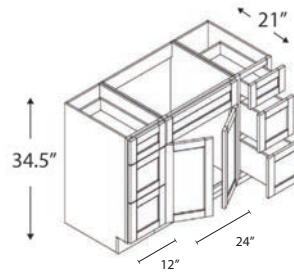


Name	Size	Wt
VSD4221	42w x 34.5h x 21d	88 lb

Two deep 12" wide drawers.  
No center style.  
Full back.

**VANITY SINK BASE COMBO 48"/60"**

**3 Drawers Left, 3 Drawers Right, Sink Centered**

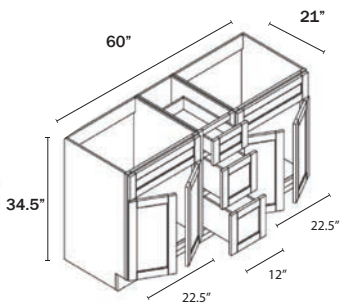


Name	Size	Wt
VSD4821D	48w x 34.5h x 21d 12" wide drawers	145 lb
VSD6021D	60w x 34.5h x 21d 15" wide drawers	164 lb

Six deep 12" wide drawers.  
No center style.  
Sink centered.

**VANITY SINK BASE COMBO 60"**

**3 Drawers Middle, Double Sink**

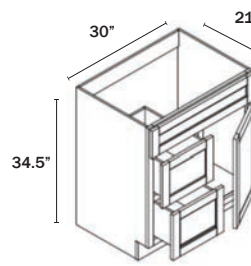


Name	Size	Wt
VSD6021DD	60w x 34.5h x 21d	120 lb

Three deep 12" wide drawers.  
No center styles.

**VANITY SINK BASE COMBO CABINET 30"**

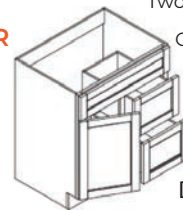
**1 Door, 2 Drawers**



Name	Size	Wt
VSD3021DL	30w x 34.5h x 21d	79 lb
VSD3021DR	30w x 34.5h x 21d	79 lb

Two deep 12" wide drawers.  
Centered sink, one door.  
Full back.

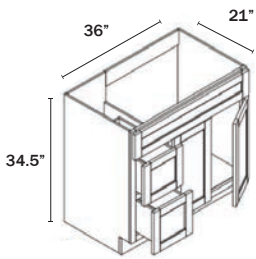
OR



DL=Drawers Left  
DR=Drawers Right

**VANITY SINK BASE COMBO CABINET 36"**

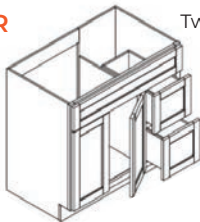
**2 Doors, 2 Drawers**



Name	Size	Wt
VSD3621DL	36w x 34.5h x 21d	87 lb
VSD3621DR	36w x 34.5h x 21d	87 lb

Two deep 12" wide drawers.  
Centered sink, 2 doors.  
No center style.  
Full back.

OR

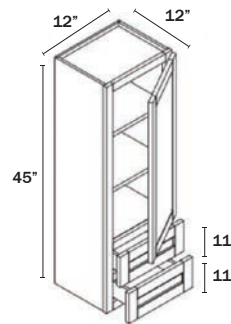


DL=Drawers Left

DR=Drawers Right

**VANITY COUNTERTOP LINEN CABINET**

**1 Door, 2 Drawers**

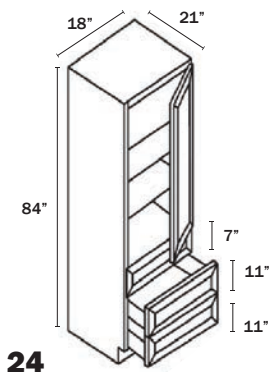


Name	Size	Wt
DVI245	12w x 45h x 12d	45 lb

Designed to be put on top of counter.

**VANITY LINEN CABINET**

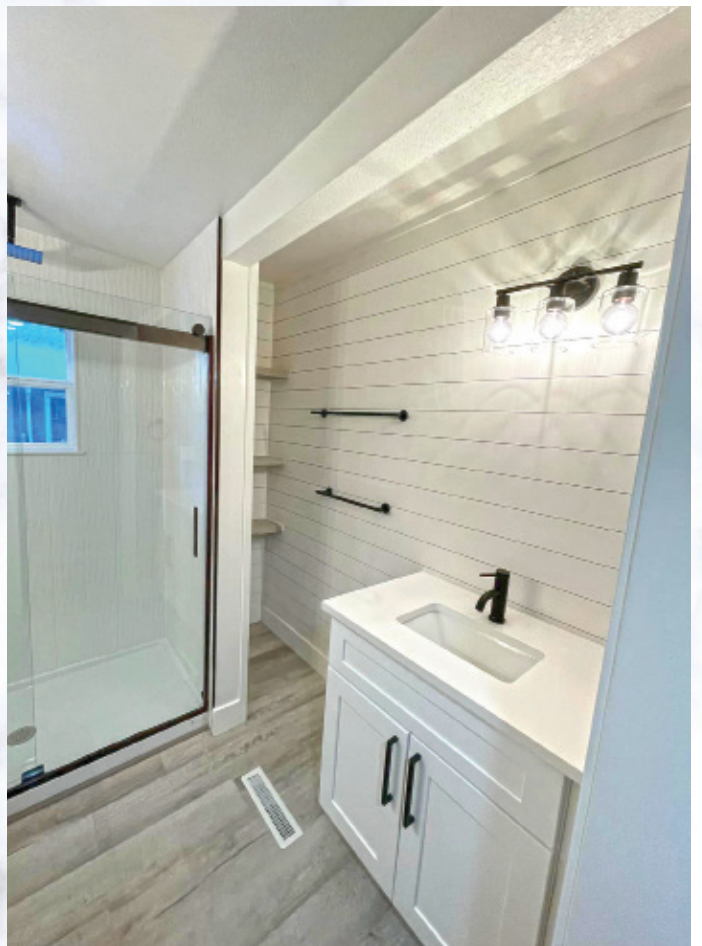
**1 Door, 3 Drawers**



Name	Size	Wt
SVA188421	18w x 84h x 21d	149 lb

24





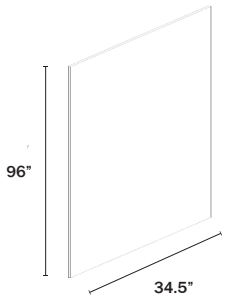




# ACCESSORIES



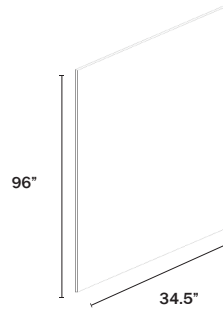
## 1/4" CABINET SKINS



Name	Size	Wt
PNL34.5x96x $\frac{1}{4}$	34.5w x 96h x $\frac{1}{4}$ d	26 lb

**Finished:** finished skin panel, matching color one side.

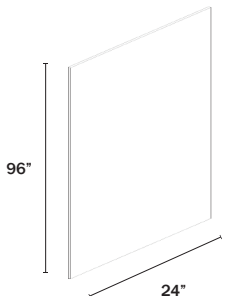
## 1/2" CABINET PANEL



Name	Size	Wt
PNL34.5x96x $\frac{1}{2}$	34.5w x 96h x $\frac{1}{2}$ d	36 lb

**Finished:** finished skin panel, matching color both sides.

## 3/4" CABINET SKINS



Name	Size	Wt
PNL24x96x $\frac{3}{4}$	24w x 96h x $\frac{3}{4}$ d	30 lb

**Finished:** finished skin panel, matching color ALL sides.

## CABINET FILLERS

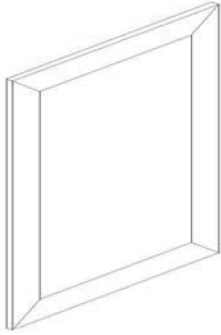


**Finished:** on all sides.  
\*Comes with  $\frac{1}{4}$ " dado for use as a return panel.

Name	Size
WF330	3w x 30h x $\frac{3}{4}$ d
WF336	3w x 36h x $\frac{3}{4}$ d
WF342	3w x 42h x $\frac{3}{4}$ d
WF630	6w x 30h x $\frac{3}{4}$ d
WF636	6w x 36h x $\frac{3}{4}$ d
WF642	6w x 42h x $\frac{3}{4}$ d
TF1.5x96*	1.5w x 96h x $\frac{3}{4}$ d
TF3x96	3w x 96h x $\frac{3}{4}$ d
TF6x96	6w x 96h x $\frac{3}{4}$ d

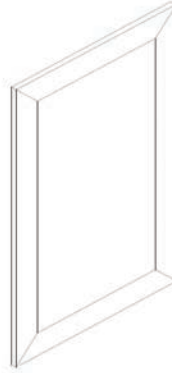


**BASE FALSE DOOR**



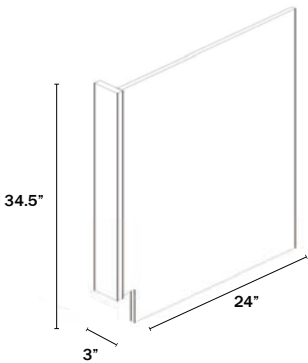
Name	Size
<b>BFD21</b>	20½w x 29¼h x ¾d
<b>BFD24</b>	23½w x 29¼h x ¾d

**WALL FALSE DOOR**



Name	Size
<b>FD1230</b>	11½w x 29½h x ¾d
<b>FD1236</b>	11½w x 35½h x ¾d
<b>FD1242</b>	11½w x 41½h x ¾d

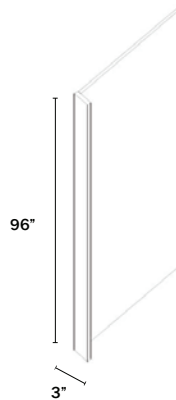
**DISHWASHER RETURN PANEL**



Name	Size	Wt
<b>DWR</b>	24w x 34.5h x 3d	11 lb

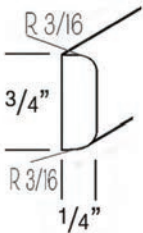
Dishwasher panel with 3" return filler

**REFRIGERATOR RETURN PANEL**



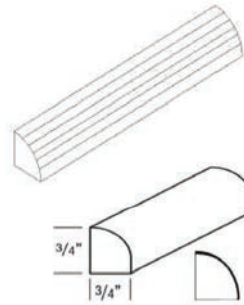
Name	Size	Wt
<b>REP</b>	24w x 96h x 3d	31 lb

**BATTEN MOLDING ¾" TALL**



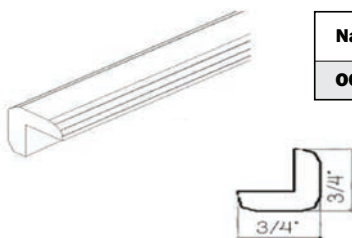
Name	Size
<b>SDMS</b>	96" long

**QUARTER ROUND MOLDING ¾" TALL**



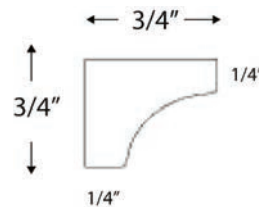
Name	Size
<b>QRMS</b>	96" long

**OUTSIDE CORNER MOLDING ¾" TALL**



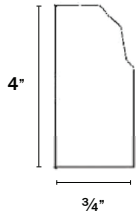
Name	Size
<b>OCMS</b>	96" long

**COVE MOLDING ¾" TALL**



Name	Size
<b>Cove Molding</b>	96" long

**BASE MOLDING 4" TALL**



Name	Size
<b>BM8</b>	96" long

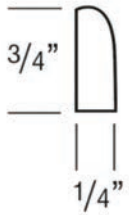


**TOE KICK 4" TALL**



Name	Size
<b>TK8</b>	96" long

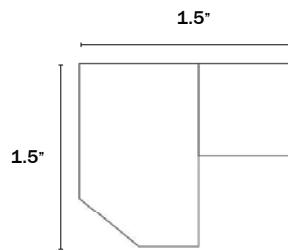
**SCRIBE MOLDING 3/4" TALL**



Name	Size
<b>SM8</b>	96" long

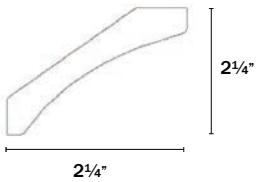


**LIGHT RAIL MOLDING 1 1/2" TALL**



Name	Size
<b>LM8 - S</b>	96" long

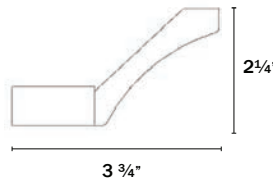
**SHAKER CROWN MOLDING: 2 1/4" TALL**



Name	Size
<b>SCM2 1/4</b>	96" long

Available in White, Grey, Modern Slate, Espresso and Signature Blue shaker styles.

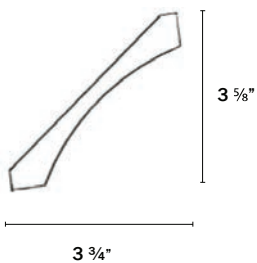
**SHAKER CROWN MOLDING: 2 1/4" TALL (with heel)**



Name	Size
<b>SCM2 1/4 - heel</b>	96" long

Available in White shaker and Espresso shaker styles. Can be painted.

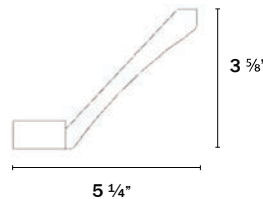
**SHAKER CROWN MOLDING: 3 5/8" TALL**



Name	Size
<b>SCM3 5/8</b>	96" long

Available in White, Grey, Modern Slate, Espresso and Signature Blue shaker styles.

**SHAKER CROWN MOLDING: 3 5/8" TALL (with heel)**



Name	Size
<b>SCM3 5/8 - heel</b>	96" long

Available in White shaker and Espresso shaker styles. Can be painted.

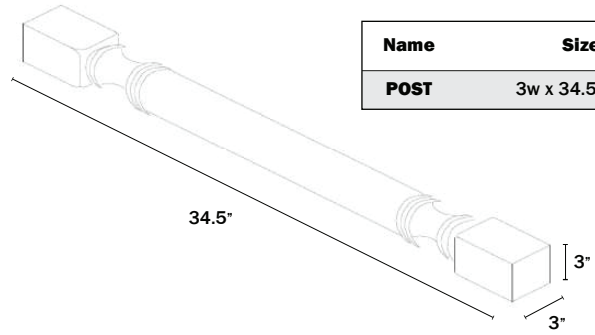


**MIRRORS**



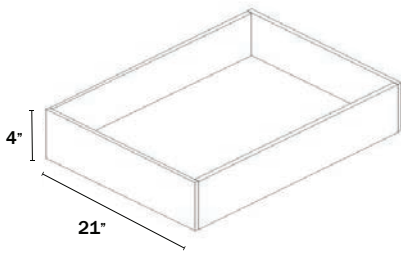
Name	Size
<b>MIRROR2430</b>	24w x 30h
<b>MIRROR3030</b>	30w x 30h

**TURN POST**



Name	Size
<b>POST</b>	3w x 34.5h x 3d

**ROLL OUT TRAYS**



Name	Size
<b>ROT15</b>	15w x 4h x 21d
<b>ROT18</b>	18w x 4h x 21d
<b>ROT21</b>	21w x 4h x 21d
<b>ROT24</b>	24w x 4h x 21d
<b>ROT27</b>	27w x 4h x 21d
<b>ROT30</b>	30w x 4h x 21d
<b>ROT33</b>	33w x 4h x 21d
<b>ROT36</b>	36w x 4h x 21d

Additional installation charge applied.

**MISCELLANEOUS ACCESSORIES**

**Touch Up Kit  
OR Quart of  
Custom Paint Color**





## LIMITED LIFETIME WARRANTY

THIS LIMITED WARRANTY IS SUBJECT TO ALL LIMITATIONS, EXCLUSIONS, DISCLAIMERS, APPROVAL, AND PROCEDURES.

As a direct manufacturer, Highland Cabinetry Colorado "HCC" is confident in the cabinets we sell. We stand behind our products and offer a one-of-a-kind Limited Lifetime Warranty. FIRST year immediate claim processing. Two (2) years + will have a 6-12 week lead time for processing. Proof of Purchase AND a Warranty Claim Form must be presented to begin the warranty claim process. If you have a warranty claim, please contact Highland Cabinetry Colorado at 303-576-6677 and fill out the Warranty Claim Form with a detailed description and pictures of the defects or damage you are experiencing with our products. Email the form, pictures, and details to [warranty@highlandcabinetryco.com](mailto:warranty@highlandcabinetryco.com) and upon receiving your email, we will let you know of our decision to repair or replace the defective product. DO NOT PROCEED TO THE NEXT STEP WITHOUT THE PRIOR WRITTEN CONSENT OF HIGHLAND CABINETRY COLORADO. HCC will be responsible for all shipping and handling fees if a valid claim is approved. Return of defective product, at the customer's expense, IS required for a replacement to be issued.

For a period of ONE YEAR from the original purchase date, HCC warrants to the original purchaser that cabinetry, door hinges, and drawer glides will be free from defects in material and workmanship under normal use and service. We will process these first-year claims as promptly as possible. This warranty is not transferable and only applicable to product used for single family owner occupied residential purposes. This warranty does not cover normal wear and tear, damage or defects caused by accidents, misused, or abused items, mishandled or improperly installed items, improperly stored items, customized or modified items, or items that are subject to extreme temperature or moisture level.

Upon entering the SECOND year, this warranty is extended to a Lifetime Warranty and all warranty claims processes will remain in effect. Proof of Purchase required. Please allow a 6-12-week lead time for processing these claims. These processing times for HCC warrants to the original purchaser that cabinetry, door hinges, and drawer glides will be free from defects in material and workmanship under normal use and service. Covers all products that are still available in our inventory and/or not discontinued.

Natural woods may vary in color and grain pattern. Just as no two trees are alike, no two pieces of wood are alike. The variation in color and grain pattern in the wood adds to its natural beauty and is not considered an imperfection. Environmental factors, including but not limited to artificial / natural light, moisture, cleaners, smoke, etc. may cause the darkening or mellowing of the cabinet over time. This is a natural process and can be expected. This warranty does not cover the natural aging or darkening / mellowing of wood color, the inherent growth characteristics of, or variation in wood.

Wood is wood, expansion and contraction still happens year after year as it compensates and adjusts to ever changing atmospheric humidity and temperature conditions. Therefore, warping of less than 1/4" is not considered a defect. The purchaser agrees to let doors that are warped 1/4" or more to hang for two seasons before replacement is requested. Typically, a door will return to its normal flat position once it is acclimated to temperature, and humidity conditions. Prior to requesting a replacement for a warped door, please be sure the door has been installed properly and hinges are adjusted correctly.







## LIMITED LIFETIME WARRANTY

Stain variations: since no two trees are the same, wood is a unique material with natural variations in grain, texture, and color. These variations may also cause considerable differences between old samples and new cabinets. Please Note: Newly produced cabinets will never be the same color as aged samples or cabinets. Color changes may occur in the finished wood products. As a result of exposure to light and other elements which are part of the aging process. These material variations and changes are not covered by this warranty.

Some of the cabinet lines feature a glazed finish which accentuates the door and drawer front profiles. This glaze is hand applied over a stain or paint and may, due to the nature of application, consist of random drips, runs, etc. As glazing is a hand applied process there will be variations in color and appearance from door to door and cabinet to cabinet. This is not considered a defect and is considered normal with hand applied finishes. Cabinet lines with painted surfaces may show fractures in the paint at the joints. This is normal and is not considered a defect.

At our discretion, we may elect to repair or replace a cabinet with a functionally equivalent product covered by this warranty. Some replacement parts are subject to stock availability and may differ from original parts received. Return of defective product IS required for a replacement to be issued. Repair parts or replacement parts are at the expense of Highland Cabinetry Colorado. This warranty does not include or cover the cost of installation, adjustments, removal, subsequent damage, or transportation of the defective product. This is regardless of whether work was performed by a contractor, service company, or yourself. To obtain service under this warranty, please contact the business from whom you purchased this product. A copy of the original purchaser's dated receipt must be submitted with all claims to preserve rights under this warranty.

This warranty is non-transferable. Highland Cabinetry Colorado reserves the right to inspect the claimed defective cabinets. No returns, replacements or repairs may be made without prior written consent.

This warranty is the sole warranty of Highland Cabinetry Colorado. No dealer, distributor or agent possesses any authority whatsoever to modify or enlarge the above warranty in any way.









[www.DenverCabinetExpress.com](http://www.DenverCabinetExpress.com)