

Guarantee

Guarantee

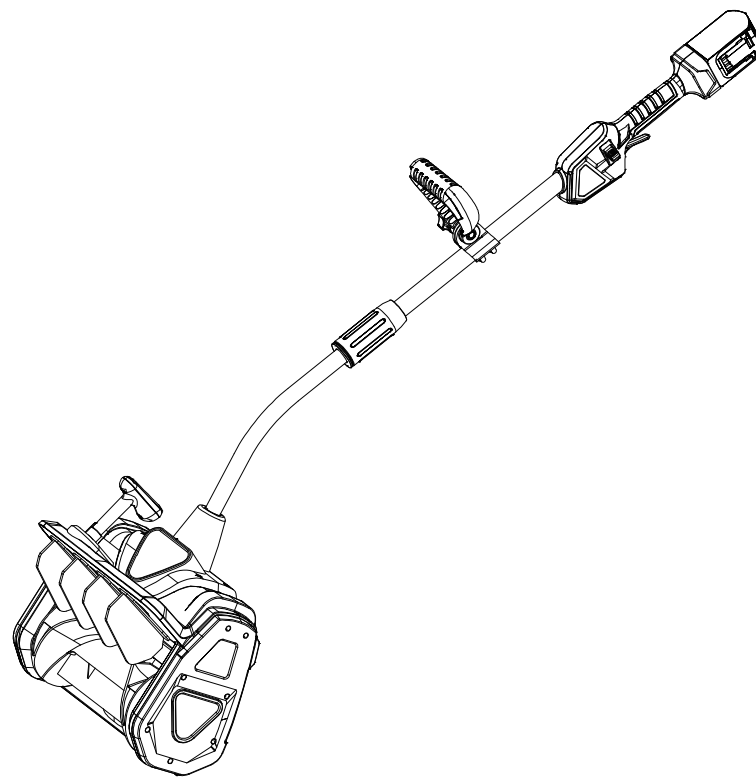
Dear Customer,
This equipment is provided with a 1-year guarantee from the date of purchase. In case of defects, you have statutory rights against the seller of the product. These statutory rights are not restricted by our guarantee presented below. Terms of Guarantee the term of the guarantee begins on the date of purchase, please retain the original receipt and it's required as proof of purchase. If a material or manufacturing defect occurs within 1-year of the date of the purchasing, we will repair or replace the product for you free of charge. This guarantee requires the defective equipment and proof of purchase to be presented within the 1-year period with a brief written description of what constitutes the defect and when it occurred. If the defect is covered by our guarantee, you will receive either the repaired product or a new product. No new guarantee period begins on repair or replacement of the product.

Guarantee Period And Statutory Claims For Defects

The guarantee period is not extended by the guarantee service. This also applies for replaced or repaired parts. Any damages and defects already present at the time of purchase must be reported immediately after unpacking.

MELLIF[®]

40V 13.2 Inch Cordless Snow Shovel MFSS001



SYVIO TECHNOLOGY CO.,LIMITED
ROOM A,8/F,wok Cheung Building,635-637
Shanghai Street,Mong kok,Hong Kong
service@enhulktools.com
Made in China



**Please Read Carefully Before Use
Original Instruction Manual**

Safety Instructions

General Power Tool Safety Warnings

⚠ WARNING Read all safety warnings, instructions, illustrations and specifications provided with this power tool. Failure to follow all instructions listed below may result in electric shock, fire and/or serious injury.

Save all warnings and instructions for future reference. The term "power tool" in the warnings refers to your mainsoperated (corded) power tool or battery-operated (cordless) power tool.

- **Work area safety**
- **Keep work area clean and well lit.** Cluttered or dark areas invite accidents.
- **Do not operate power tools in explosive atmospheres, such as in the presence of flammable liquids, gases or dust.** Power tools create sparks which may ignite the dust or fumes.
- **Keep children and bystanders away while operating a power tool.** Distractions can cause you to lose control.

Electrical Safety

Power tool plugs must match the outlet. Never modify the plug in any way. Do not use any adapter plugs with earthed (grounded) power tools.

Unmodified plugs and matching outlets will reduce risk of electric shock.

- **Avoid body contact with earthed or grounded surfaces, such as pipes, radiators, ranges and refrigerators.** There is an increased risk of electric shock if your body is earthed or grounded.
- **Do not expose power tools to rain or wet conditions.** Water entering a power tool will increase the risk of electric shock.
- **Do not abuse the cord. Never use the cord for carrying, pulling or unplugging the power tool. Keep cord away from heat, oil, sharp edges or moving parts.** Damaged or entangled cords increase the risk of electric shock..
- **When operating a power tool outdoors, use an extension cord suitable for outdoor use.** Use of a cord suitable for outdoor use reduces the risk of electric shock.
- **If operating a power tool in a damp location is unavoidable, use a residual current device (RCD) protected supply.** Use of an RCD reduces the risk of electric shock.

Personal Safety

- **Stay alert, watch what you are doing and use common sense when operating a power tool. Do not use a power tool while you are tired or under the influence of drugs, alcohol or medication. A moment of inattention while operating power tools may result in serious personal injury.**

- **Use personal protective equipment. Always wear eye protection.** Protective equipment such as a dust mask, nonskid safety shoes, hard hat or hearing protection used for appropriate conditions will reduce personal injuries.
- **Prevent unintentional starting. Ensure the switch is in the off-position before connecting to power source and/or battery pack, picking up or carrying the tool.** Carrying power tools with your finger on the switch or energising power tools that have the switch on invites accidents.
- **Remove any adjusting key or wrench before turning the power tool on.** A wrench or a key left attached to a rotating part of the power tool may result in personal injury.
- **Do not overreach. Keep proper footing and balance at all times.** This enables better control of the power tool in unexpected situations.
- **Dress properly. Do not wear loose clothing or jewellery. Keep your hair and clothing away from moving parts.** Loose clothes, jewellery or long hair can be caught in moving parts.
- **If devices are provided for the connection of dust extraction and collection facilities, ensure these are connected and properly used.** Use of dust collection can reduce dust related hazards.
- **Do not let familiarity gained from frequent use of tools allow you to become complacent and ignore tool safety principles.** A careless action can cause severe injury within a fraction of a second.

For All Snow Shovel

- **Walk.** Do not run.
- **Do not use on grveled surface unless the snow shovel is adjusted for such a surface in accordance with the operator's manual.**
- **Keep Children Away – All visitors should be kept a safe distance from work area.**
- **Dress Properly – Do not wear loose clothing or jewelry.** They can be caught in moving parts.
- **Wear rubber boots when operating the snow shovel.**
- **Keep hands away from moving parts.**
- **Keep guards in place and in working order.**
- **Don't Force Snow Shovel–It will perform better and safer at the rate for which it was designed.**
- **Don't Overreach – Keep proper footing and balance at all times.**
- **If the snow shovel strikes a foreign object follow these steps:**
 - 1) Stop snow shovel. Release the switch.
 - 2) Remove the battery pack.
 - 3) Inspect for damage.
 - 4) Repair any damage before restarting and operating the snow shovel.
- **Store Idle Snow Shovel Indoors – When not in use, snow shovel should be stored indoors in dry, locked-up place – out of reach of children.**

Safety Instructions

WARNING

When using the product the safety rules must be followed. For your own safety and that of bystanders please read these instructions before operating the product. Please keep the instructions safe for later use.

Training

- **Read the instructions carefully.** Be familiar with the controls and the proper use of the product.
- **Never allow children to operate the equipment. Never allow adults to operate the equipment without proper instruction.**
- **Keep the area of operation clear of all persons, particularly small children.**
- **Exercise caution to avoid slipping or falling, especially when operating the snow shovel in reverse.**

Preparation

- **Never operate the product while people, especially children, or pets are nearby.**
- **Wear eye protection and stout shoes and long trousers at all times while operating the product.**
- **Before use, always visually inspect the machine for damaged, missing or misplaced guards or shields.**

Operation

- Prevent unintentional starting. Ensure the switch is in the off-position before connecting to battery pack, picking up or carrying the appliance.
- Carrying the appliance with your finger on the switch or energizing the appliance that has the switch on invites accidents.
- Do not put hands or feet near or under rotating parts.
- Exercise extreme caution when operating on or crossing gravel drives, walks, or roads. Stay alert for hidden hazards or traffic.
- After striking a foreign object, stop the motor, remove the battery pack, thoroughly inspect the snow shovel attachment for any damage, and repair the damage before restarting and operating the snow shovel.
- If the tool should start to vibrate abnormally, stop the tool and check immediately for the cause. Vibration is generally a warning of trouble.
- Stop the tool whenever you leave the operating position, before unlogging the auger assembly housing, and when making any repairs, adjustments or inspections.
- When clearing, repairing or inspecting the snow shovel, stop the tool and make certain the auger assembly has stopped. Remove the battery pack to prevent someone from accidentally starting the tool.
- Exercise extreme caution when operating on slopes.

- Never direct the discharge toward people or areas where property damage can occur. Keep children and others away.
- Do not overload the machine capacity by attempting to clear snow at too fast a rate.
- Disengage power when snow shovel is transported or not in use.
- Never operate the snow shovel without good visibility or light. Always be sure of your footing, and keep a firm hold on the handles. Walk; never run.
- Do not expose a battery pack or tool to fire or excessive temperature.

Service

- **Have your power tool serviced by a qualified repair person using only identical replacement parts.** This will ensure that the safety of the power tool is maintained.
- **Never service damaged battery packs.** Service of battery packs should only be performed by the manufacturer or authorized service providers.

Symbols

	Indicates a potential personal injury hazard.
	To reduce the risk of injury, user must read and understand operator's manual before using this product.
	Risk of fire and burns. Do not expose battery, battery compartment, or electronic components to rain, water, or liquids. Do not operate on wet ground.
	Always wear safety goggles or safety glasses with side shields when operating this product that comply with ANSI Z87.1
	Keep bystanders a safe distance from the machine.
	Do not use hands to unlog the auger assembly.
	Keep feet away from rotating impeller.

Symbols



To reduce the risk of injury, keep hands and feet away from rotating parts. Do not operate unless discharge chute is in its proper place. If damaged, replace immediately.



Thrown objects can ricochet and result in personal injury or property damage.



This product uses lithium-ion (Li-ion) batteries. Local, state, or federal laws may prohibit disposal of batteries in ordinary trash. Consult your local waste authority for information regarding available recycling and/or disposal options.



Type or a characteristic of current

n_0

Rotational speed, at no load

RPM

Rotational speed

V

Voltage

Hz

Frequency (cycles per second)

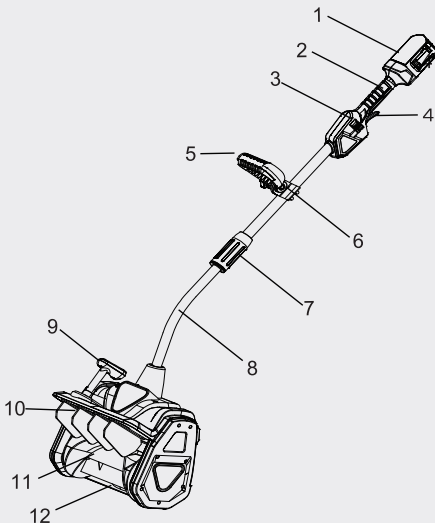
min

Time

Product Descriptions And Specifications

Description

Read this operator's manual and safety rules before operating your snow shovel. Save this manual for future reference.



1. Battery Mounting Slots
2. Rear Handle
3. Lock-out Button
4. Trigger Switch
5. Auxiliary Handle
6. Lock Knob
7. Screw Sleeve
8. Shaft
9. Louver Adjustment Knob
10. Louvers
11. Auger
12. Scraper Bar

Technical Data

40V 13.2 Inch Cordless Snow Shovel

Article number	MFSS001
Voltage	40V (2X20V) Max
No-load speed	1900 rpm
Max. Clearing Width	13.2 in. (33.5 cm)
Max. Clearing Depth	8 in. (20 cm)
Max. Throw distance	26.5 ft. (8 m)
Weight (With battery)	14.3 lbs. (6.5 kg)

Operating Instructions

Operation

Assembly And Adjustment

⚠ WARNING

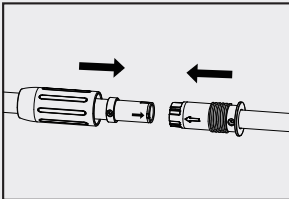
Before assembly make sure that the appliance is switched off and the battery has been removed.

Connecting The Shaft

⚠ WARNING

Be certain that the wing knob is fully tightened before operating the equipment; check it periodically for tightness during use to avoid serious personal injury.

1. Pull the snow shovel shaft out from the Screw Sleeve.
2. Align the arrow on the snow shovel shaft with the arrow on the coupler and push the snow shovel shaft into the coupler.
3. Tighten the screw sleeve securely.



⚠ WARNING

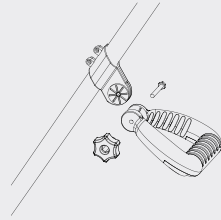
If **two arrows** do not match, the electrical connection cannot be connected, and the snow shovel cannot work.

⚠ WARNING

These **three shafts** should not be used until they are properly assembled during use to avoid serious personal injury.

Mounting And Adjusting The Front Handle

1. Remove the knob from the handle.
2. Attach the auxiliary handle on the shaft.
3. Set the auxiliary handle in the comfortable position.
4. Put the bolt through the holes.
5. Tighten the auxiliary handle with the knob.



To Install/Remove Battery Pack

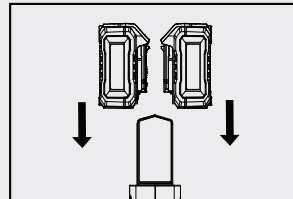
⚠ WARNING

Always remove the battery pack from the product when you are assembling parts, making adjustments, cleaning, or when it is not in use. Removing the battery pack will prevent accidental starting that could cause serious personal injury.

NOTICE: Fully charge all battery packs before first use.

To Install Battery Pack

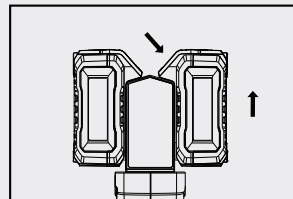
1. Align the ribs of two battery packs with the battery-mounting slots in the snow shovel.
2. Slide the battery packs in until it snaps into position.



To Remove Battery Pack

⚠ WARNING

Always be aware of the location of your feet and children or pets around you when pressing the battery release button. NEVER remove the battery pack at a high position. Serious injury could result if the battery pack falls.



Operating Instructions

1. Hold the battery pack in the palm of your hand.
2. Press the battery-release button with your thumb; the battery packs will disengage from the latch.
3. Grasp the battery packs and remove it from the snow shovel.

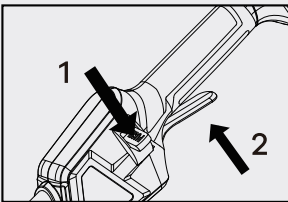
Starting The Snow Shovel

⚠ WARNING

In order to avoid serious injury, the operator and unit must be in a stable position when starting the snow shovel.

NOTICE: The snow shovel starts only when two battery packs are installed at the same time.

1. Verify that two battery packs is inserted into the battery compartment.
2. Press low the lock-out button.
3. While press low the lock-out button, press and hold the trigger switch.



NOTICE: The motor starts only when the lock-off button is press low and the trigger switch is held at the same time.

Stopping The Snow Shovel

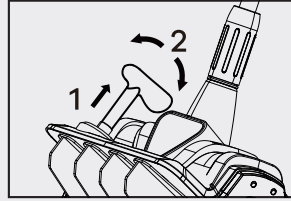
Move the snow shovel away from the clearing area and release the trigger switch to stop the tool.

⚠ WARNING

Always remove the battery packs from the snow shovel during work breaks and after finishing work.

Adjust The Direction Of The Snow Discharge

- The direction of the snow discharge can be changed by rotating the louver adjustment knob.
- Pull up and turn the Louver Adjustment Knob to direct the snow to the right or to the left.
- The maximum turn of the knob is 60° (30° to the left or to the right).



Applications

This snow shovel is most ideal for clearing snow from sidewalks, steps, decks, patios, and smaller driveways. The best clearing depth is under 6 inches (15 cm).

Using The Snow Shovel

⚠ WARNING

Always Use Proper Eye Protection That Conforms To ANSI Z87.1 (CAN/CSA Z94.3) While Operating This Appliance.

⚠ WARNING

Never use the snow shovel on a rooftop, frozen lakes, ice or other unstable surface, which can result in death or serious injury.

⚠ WARNING

Make sure that the area to be cleared is free of stones, sticks, wires, gravel, and other objects that could be accidentally thrown by the snow shovel in any direction and cause serious personal injury to the operator and others.

⚠ WARNING

To prevent serious personal injury, remove the battery packs from the tool before servicing, cleaning, changing attachments or removing material from the tool.

⚠ WARNING

DO NOT immerse battery packs in snow, water or other liquids at any time. Battery packs are not waterproof.

- Charging two battery packs at the same time and keep capacities two battery packs at the same level. If one battery pack is to stop work by low battery capacity so that the other one does not work too even has enough power.
- Start the snow shovel by following the Starting Instructions, push the snow shovel forward after 3 or 5 seconds so that it rides on the scraper. **The depth and weight of the snow will determine the forward speed, Do not push too hard.**
- When using the snow shovel, hold the tool with a firm grip with both hands while in operation.

Operating Instructions

- Take notice of the direction of the wind before beginning. When possible, discharge snow in the same direction as the wind to prevent snow from being thrown back into your face.
- Some parts of the snow shovel can freeze under extreme weather conditions. Do not attempt to operate the tool with frozen parts.

- If the tool contacts with any type of obstruction during operation, stop it and remove the battery pack. Check the tool carefully before using.
- If the snow is too thick and deeper than the clearing depth, it may take more than one pass to clear.
- When finished, allow the tool to run for several minutes to allow all snow to clear the auger before storing.

Troubleshooting

Problem	Possible causes	Solution
The snow shovel does not start.	Battery is not secure	To secure the battery packs, make sure the latches on the top of the battery packs snap into place.
	Battery is low power capacity	Charge the battery packs according to the instructions.
The snow shovel leaves a thin layer.	The scraper bar is worn.	Replace the scraper bar.
Unexpected shutdown during work. No snow is thrown from the deck.	Machine is overloaded. The auger is completely jammed by the heavy snow.	Remove the snow from the auger and reduce the machine load intensity.
	The battery packs or the machine is overheated.	Allow the battery packs and/or tool to cool down before resuming work.

Maintenance and transportation

Cleaning And Maintenance

WARNING

All maintenance should be carried out by a qualified person, do not try to repair any defect. When servicing, use only identical replacement parts. Use of any other part could create a hazard or cause product damage.

Cleaning

1. Remove the battery pack.
2. **Brush or blow dust and debris out of the air vents using compressed air or a vacuum.** Keep the air vents free of obstructions, sawdust, and wood chips. Do not spray, wash, or immerse the air vents in water.
3. **Wipe off the housing and the plastic components using a moist, soft cloth.** Do not use strong solvents or detergents on the plastic housing or plastic components. Certain household cleaners may cause damage, and may cause a shock hazard.

Storage

1. Remove the battery pack.
2. **Clean the product and re-pack to original package.**
3. **Store the product and its accessories in a dark, dry, frost-free, well-ventilated place.**
4. **Always store the product in a place that is inaccessible to children.**
5. **We recommend using the original package for storage or covering the product with a suitable cloth or enclosure to protect it against dust.**

Transportation

1. Remove the battery pack.
2. **Re-pack to original package.**
3. **Protect the product from any heavy impact or strong vibrations which may occur during transportation in vehicles.**
4. **Secure the product to prevent it from slipping or falling over.**