

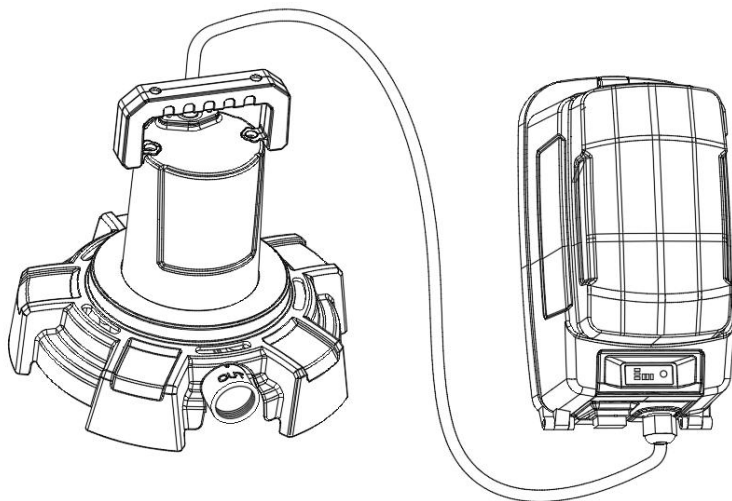
mellif[®]

YOUR ULTIMATE POWER TOOL PARTNER

SUBMERSIBLE WATER PUMP

SMP-DCB20

Operation Manual



Read before use.

MADE IN CHINA

www.mellif-tools.com

Catalogue

Know your Tool	2
Safety Regulations, Supplied Items, Proper Use	3
Before starting the pump, Operation	4
Cleaning, Maintenance, Recycling and Storage.....	6
Trouble Shooting	7

Notice

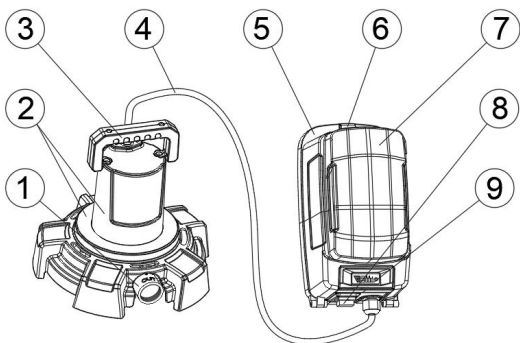
1. for use in dry room only
2. Safety class II
3. "Hazard - Read the operating instructions to reduce the risk of injury"
4. Do not immerse the battery box in the water!
5. Only wind up the power cable loosely during operation.

Know your tool

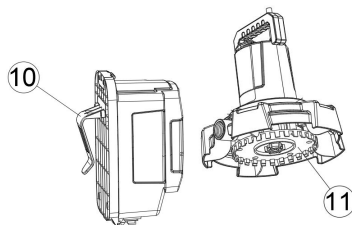
Cordless water submersible pump for home and garden. It is designed for applications where mains power is inconvenient, unsafe and unfeasible to use. With three power levels, the 18V submersible water pump output can be adjusted to the respective requirements, whether for pumping out smaller water pools, smaller irrigation applications, fully-equipped boats or for the garden shower, or a puddle.

Specification

Model	SMP-DCB20		
Brushless motor	20V DC 5500RPM	Minimum water level when starting up	18mm
Max flow rate	5000 L/H	Max. size of foreign bodies	Ø 1 mm
Max Delivery Height	8m	Suction height	6mm
Max Delivery Pressure	0.8 bar	Type of protection of pump	IPX8
Outlet hose fitting	3/4"NH	Type of protection of battery box	IPX4
3 Options flow setting	3000L/H, 4000/LH, 5000L/H	Low voltage protection	<15VDC
Max Immersion Depth	4 m	Over-current protection	≥30A/2S
Max water temperature	90°F(35°C)	* Auto stop when no water can be pumped in 10s. * Built-in memory function, standby 10s.	



picture 1



picture 2

picture 3

Layout

1.outlet	2. pump shell	3. handle	4. power cable
5.battery shell	6. push-lock button	7. battery cover	8. power switch
9. Pump mode selector switch and indicator, Battery Power indicator	10.fastening hook	11.intake cage	

Safety Regulations, Supplied Items, Proper Use

1. Safety Regulations

Warning!

Read all the safety information, instructions, illustrations and technical data provided on or with this power tool. Failure to adhere to the following instructions may result in electric shock, fire and/or serious injury.

Keep all the safety information and instructions in a safe place for future use.

This equipment can be used by children of 8 years and older and by people with limited physical, sensory or mental capacities or those with no experience and knowledge if they are supervised or have received instruction in how to use the equipment safely and understand the dangers which result from such use. Children are not allowed to play with the equipment. Unless supervised, children are not allowed to clean the equipment and carry out user-level maintenance work.

The equipment is not designed for use in swimming pools and paddling pools of any kind or other bodies of water in which people or animals may be present during operation.

Danger!

- Before you put the equipment into operation, arrange for a specialist to check that the earthing, protective multiple earthing or residual-current operated circuit-breaker circuit comply with the safety regulations of the power supply company and work correctly.
- The electrical plug-in connections must be protected from wet conditions.
- If there is a risk of flooding, place the plug-in connections in an area which is safe from flooding.
- Strictly avoid pumping aggressive liquids and abrasive substances.
- Protect the equipment from frost.
- Protect the equipment from dry running.
- Take suitable measures to keep the equipment out of the reach of children.

2. Supplied Items

- Open the packaging and take out the equipment with care.
- Remove the packaging material and any packaging and/or transportation braces (if available).
- Check to see if all items are supplied.
- Inspect the equipment and accessories for transport damage.
- If possible, please keep the packaging until the end of the guarantee period.

Danger!

The equipment and packaging material are not toys. Do not let children play with plastic bags, foils or small parts. There is a danger of swallowing or suffocating!

- Cordless clean water pump with battery box
- Fastening hook
- Original operating instructions

3. Proper Use

The equipment you have purchased is designed to pump water with a maximum temperature of 35 °C. This equipment must never be used for other liquids, especially not for engine fuels, cleaning agents and other chemically-based products!

The equipment can be used wherever you want to move water, e.g. in the house, in the garden, and for many other applications. It must not be used to operate swimming pools!

If you want to use the equipment in bodies of water with a natural, muddy bottom, place the equipment in a slightly elevated position, e.g. on bricks.

The equipment is not designed for continuous operation, e.g. as a circulating pump in a pond. In this case the equipment's anticipated life will be greatly shortened because the equipment was not designed for continuous loading.

The equipment is to be used only for its prescribed purpose. Any other use is deemed to be a case of misuse. The user / operator and not the manufacturer will be liable for any damage or injuries of any kind caused as a result of this.

Please note that our equipment has not been designed for use in commercial, trade or industrial applications. Our warranty will be voided if the machine is used in commercial, trade or industrial businesses or for equivalent purposes. The water may be contaminated by escaping lubricating oil/lubricant.

Before starting the pump, Operation

4. Before starting the pump

Before you connect the equipment to the mains supply make sure that the data on the rating plate are identical to the mains data.

4.1 Installation

The equipment can be installed either:

Stationary with a rigid pipe line or The maximum pumping rate is possible only with the largest possible line diameter; if smaller hoses or pipes are connected, the pumping rate will be reduced.

Venting:

Water might escape from the vent opening during operation.

Please note!

When installing, never hang the equipment by the discharge line or by the power cable. The equipment must be hung up by the provided carry handle or suspension eyelet, or it must rest on the bottom of the shaft. To ensure that the equipment works properly, the bottom of the shaft always must be free of sludge and other accumulations of dirt. If the water level is too low, the sludge in the shaft can quickly dry out and hinder the equipment from starting. It is necessary therefore to check the equipment regularly (carry out trial start-ups).

4.2 Fitting the battery box

Important! Do not immerse the battery box in the water!

The battery box can be fitted in various different ways:

- Suspension mounting: There is a fastening hook at the back of the battery box, you can then hang the battery box to a safe object that can bear the weight.
 - The battery box does not have to be permanently fastened. You can also set it down outside the water. You can wind the power cable up on the integrated cable rewind of the battery box .
- **Caution!** - Only wind up the power cable loosely during operation.

4.3 Fitting /removing the battery

Open the battery cover. To do so, open the locking hook on the battery cover and swing up the cover.

Press the side pushlock button of the battery pack and push the battery pack into the mount provided. Make sure that the pushlock button engages properly. To remove the battery pack, proceed in reverse order. Close the battery cover by swinging the cover down and close the locking hook.

4.4 Charging the battery

1. The pump can work with sufficient battery power. Check the battery capacity indicator,

All 3 LEDs are lit: The battery is fully charged.

2 or 1 LED(s) are lit: The battery has an adequate remaining charge.

1 LED left and suddenly All 3 LEDs flash: The pump will stop working, now it's time to charge the battery.

Take the battery pack out of the equipment. Do this by pressing the pushlock button.

Check that your mains voltage is the same as that marked on the rating plate of the battery charger.

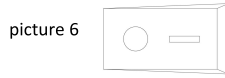


5. Operation

You can put the equipment into operation after you have thoroughly read the installation and operating instructions.

Pay attention to the following points:

- Make sure that the equipment is set up securely.
- Check that the discharge line is fitted correctly.
- Lower the pump into the well or shaft using a securing cable, or hang it inside the rainwater barrel.
- The pump will start automatically after you have pressed the power switch (pic.5)
- Take care that the pump does not run dry.
- To switch off the pump, press the power switch so that it is in "0" position (pic. 6)



Switching on the pump

The pump has a power switch (picture 5) on the battery box (picture 1 number 8). Picture 5 the pump is off, Picture 6, the pump is on.

Dry-run safeguard

The pump has a dry-run safeguard when pump mode is activated. The pump will be switched off automatically if no liquid medium is detected for longer than 10 seconds. The dry-run safeguard has tripped. The pump will make no further priming attempts. Press the power switch, from "0" to "—" in order to restart the pump.

Caution! Take care that the pump does not run dry; operate the pump only under supervision.

Switching Flow Rate mode

First, press power switch to "—" position (pic. 5), when the pump is running, press pump mode selector switch.

LED L is lit, it's the low flow rate mode;

LED LM is lit, it's the medium flow rate mode;

LED LMH is lit, it's the high flow rate mode.



Cleaning, Maintenance, Recycling and Storage

6. Cleaning, maintenance

Danger!

- Always pull out the battery pack before starting any cleaning work.
- For mobile applications, the equipment should be cleaned with clear water after every usage.
- Use a water jet to remove any lint or fibrous particles that may have become trapped in the housing.
- Ensure the working environment is tidy, too much sludge and impurities will affect the use of the tool.

6.1 Cleaning the paddle wheel

If a lot of deposits collect in the housing, the bottom part of the equipment must be dismantled as follows:

1. Unscrew intake cage(there are 6 screws in total), take the cover and outlet apart (pic. 3).
2. Clean the paddle wheel with clear water. Important!
3. Assemble in reverse order. Before fixing the intake cage cover, make sure the seal has been installed.

6.2 Maintenance

There are no parts inside the equipment which require additional maintenance.

7. Recycling

The equipment is supplied in packaging to prevent it from being damaged in transit. The raw materials in this packaging can be reused or recycled. The equipment and its accessories are made of various types of material, such as metal and plastic. Never place defective equipment in your household refuse. The equipment should be taken to a suitable collection center for proper disposal.

8. Storage

The Store the equipment and accessories in a dark and dry place at above freezing temperature.

The ideal storage temperature is between 5 and 30 °C. Store the electric tool in its original packaging.

Trouble Shooting

9. Trouble Shooting

Faults	Cause	Remedy
The equipment does not start	<ul style="list-style-type: none"> - Battery is not correctly inserted - Remove battery and insert again 	<ul style="list-style-type: none"> - Remove battery and insert again
The equipment does not pump	<ul style="list-style-type: none"> - Intake sieve clogged - Battery in low power - Discharge hose kinked 	<ul style="list-style-type: none"> - Clean intake sieve with water jet - Check the battery indicator, make sure the battery is in sufficient power. - Unkink the hose
Insufficient pumping rate	<ul style="list-style-type: none"> - Intake cage or sieve clogged - Performance reduced due to heavily contaminated,abrasive water impurities. - Battery performance decreasing 	<ul style="list-style-type: none"> - Clean intake sieve with clear water - Clean equipment and replace wear parts - Check the battery performance and charge the battery if necessary
The equipment switches off after briefly running	<ul style="list-style-type: none"> - Motor over-current protection switches the equipment off due to excessive water contamination - Water volume is too small, pump dry running switches the equipment off - Too much sludge stopped the pump. 	<ul style="list-style-type: none"> - Take out the battery and clean the equipment and the shaft. - Ensure the water depth is 18mm plus. - Clean the pump and remove impurities.