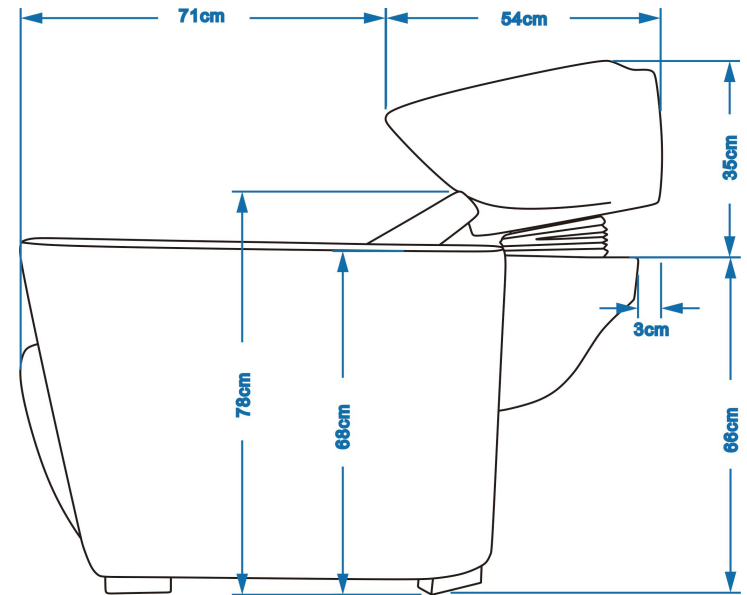
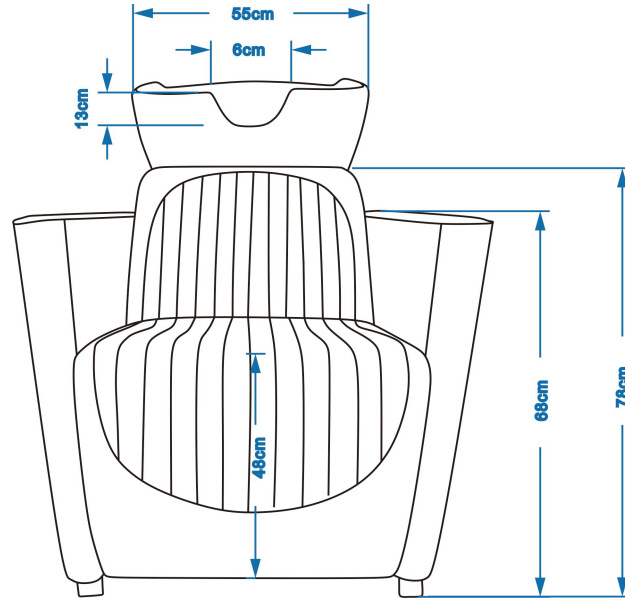
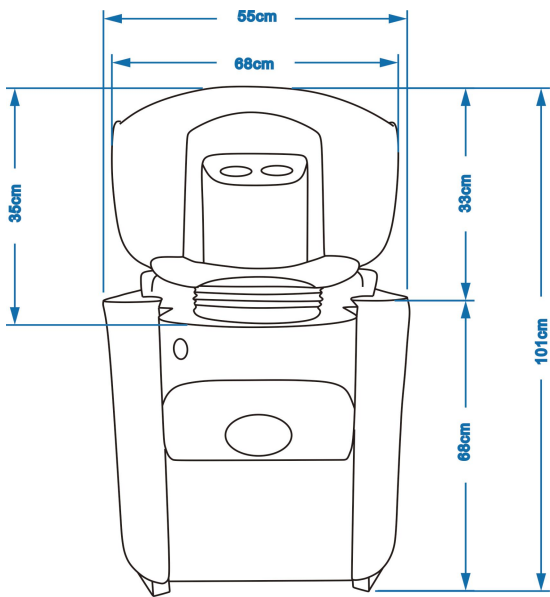


3044

Top



Back

Front

Right