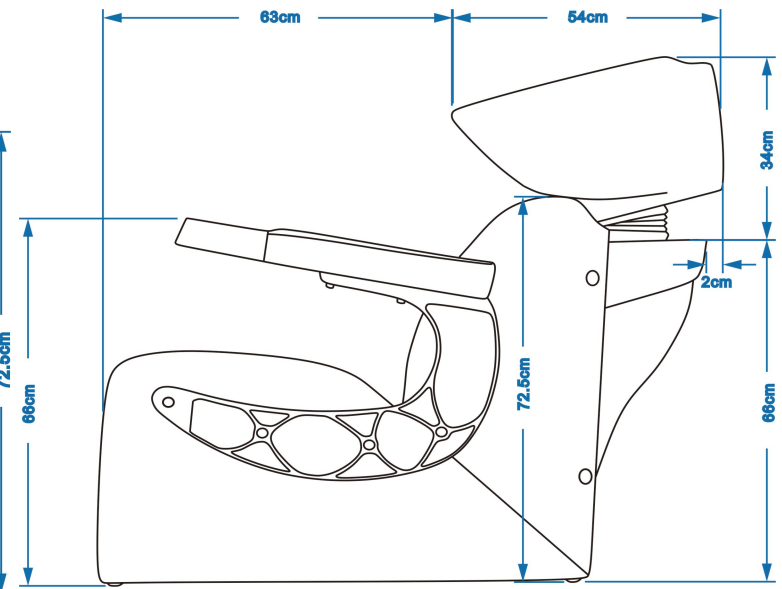
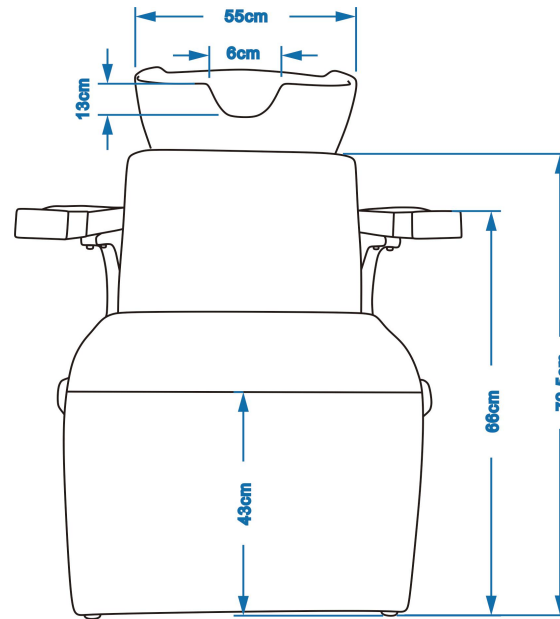
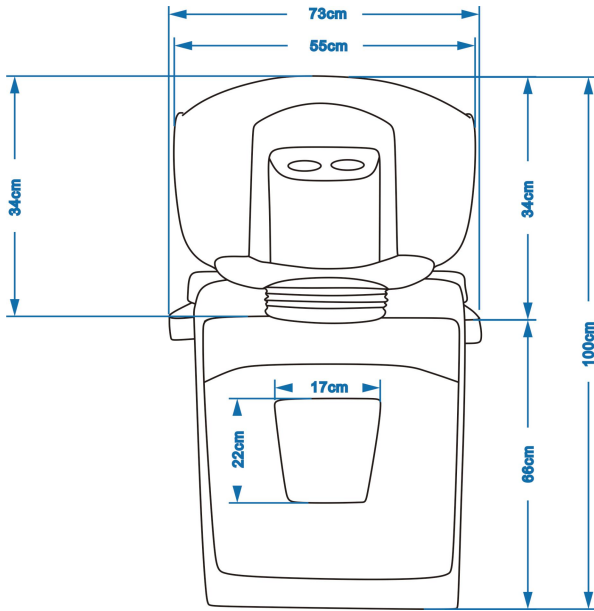


3027



Back

Front

Right