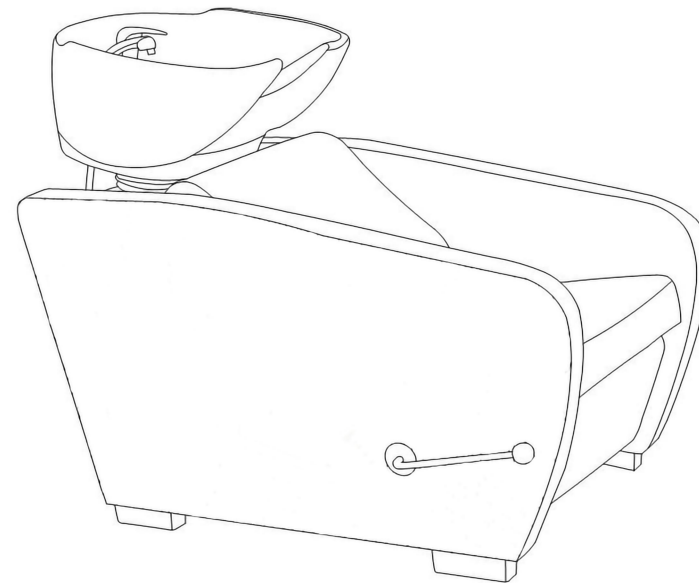
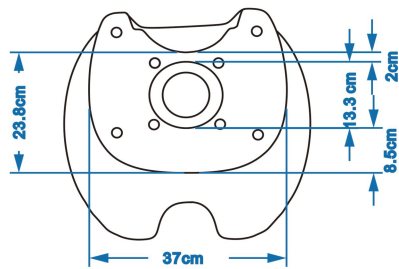
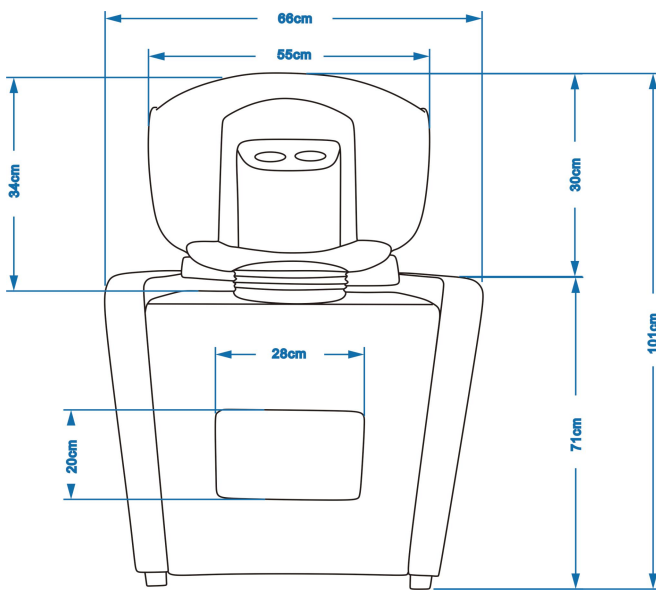


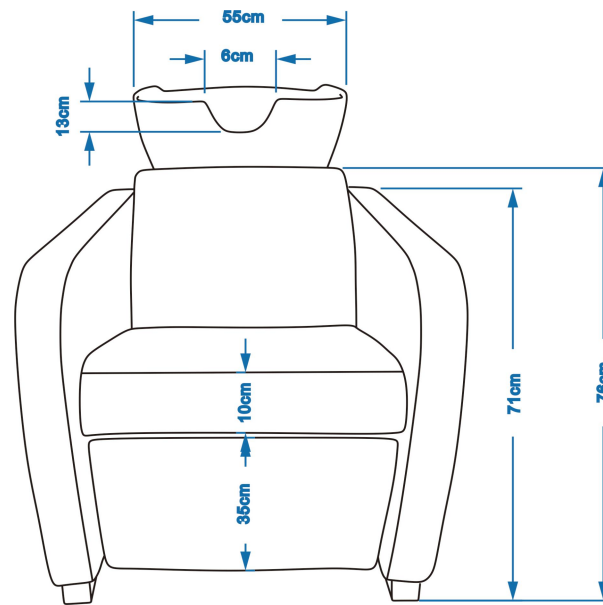
Top



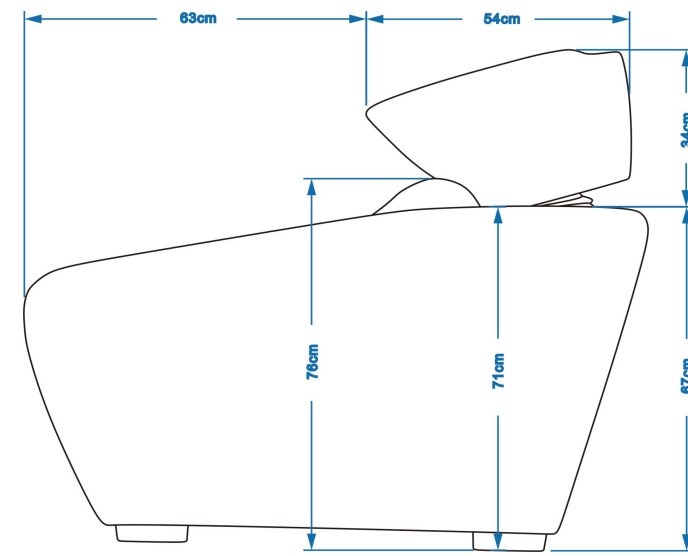
3017



Back



Front



Right