

LANCASTER WV461102

FIXTURE DIMENSIONS	W3-7/8" x H21" x E4-7/8"
HEIGHT FROM CENTER	10-1/2"
EXTENSION	4-7/8"
LAMP TYPE	E26
MAX WATTAGE	60W
BULB QTY	2
BULBS INCLUDED	No
VOLTAGE	120V
MATERIAL	Steel
GLASS DETAILS	Clear Glass
INSTALL OPTIONS	All Orientation
LOCATION	Damp
CANOPY DIMENSIONS	D5-1/8" x E7/8"
PAINT FINISH	AG01; CH01; MB01;

[D - Diameter, L - Length, W - Width, H - Height, E - Extension]

AVAILABLE FINISHES:



WV461102AG
Aged Gold

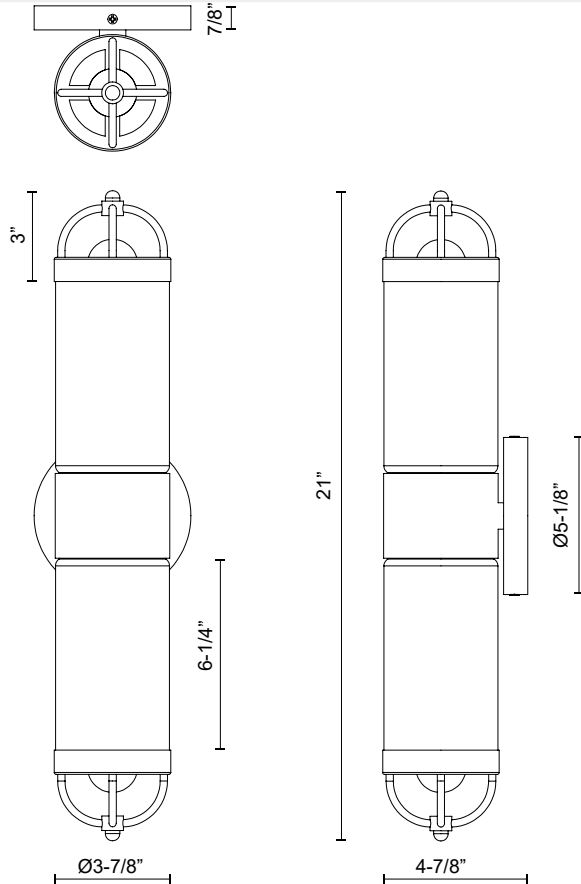


WV461102CH
Chrome



WV461102MB
Matte Black

*For complete warranty terms, please visit: www.aloralighting.com/warranty



WWW.ALORAMOOD.COM

© 2023 KUZCO LIGHTING. ALL RIGHTS RESERVED.

