

# alora mood

P. 1.855.855.8926

CANADA: 19054 28TH Avenue Surrey - BC V3Z 6M3

USA: 3035 E. Lone Mountain Rd - Las Vegas, NV, 89081

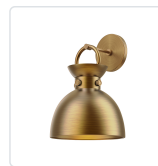
## WALDO WV411309



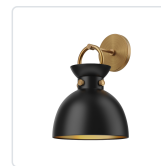
|                    |                              |
|--------------------|------------------------------|
| FIXTURE DIMENSIONS | W8-3/4" x H12-3/4" x E9-1/8" |
| HEIGHT FROM CENTER | 10-1/2"                      |
| EXTENSION          | 9-1/8"                       |
| LAMP TYPE          | E26                          |
| MAX WATTAGE        | 60W                          |
| BULB QTY           | 1                            |
| BULBS INCLUDED     | No                           |
| VOLTAGE            | 120V                         |
| MATERIAL           | Steel                        |
| INSTALL OPTIONS    | Down Only                    |
| LOCATION           | Damp                         |
| CANOPY DIMENSIONS  | D4-5/8" x E5/8"              |
| PAINT FINISH       | AG01; MB01;                  |

[ D - Diameter, L - Length, W - Width, H - Height, E - Extension ]

### AVAILABLE FINISHES:



WV411309AG  
Aged Gold

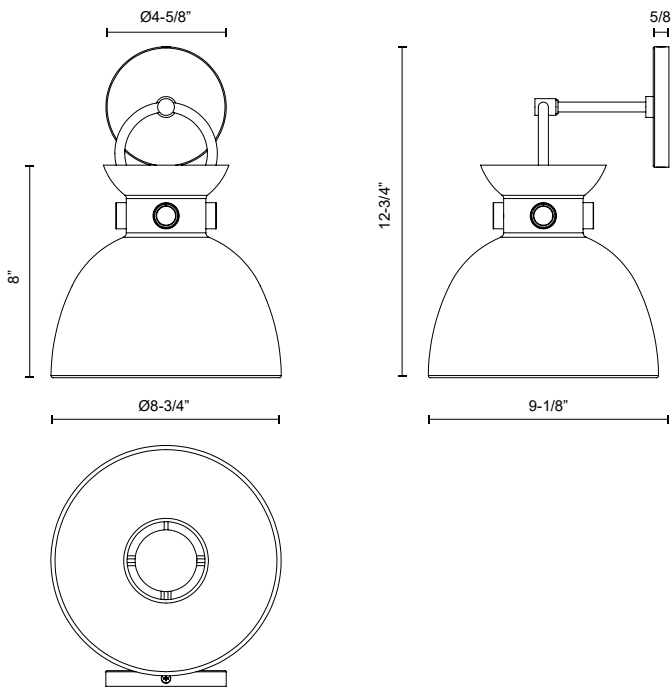


WV411309AGMB  
Aged Gold/Matte  
Black



WV411309MBAG  
Matte Black/Aged  
Gold

\*For complete warranty terms, please visit: [www.aloralighting.com/warranty](http://www.aloralighting.com/warranty)



WWW.ALORAMOOD.COM

© 2023 KUZCO LIGHTING. ALL RIGHTS RESERVED.

