

SONDER TL83708

LAMPS

PROJECT



TL83708-BK/WH
Black/White

DESCRIPTION

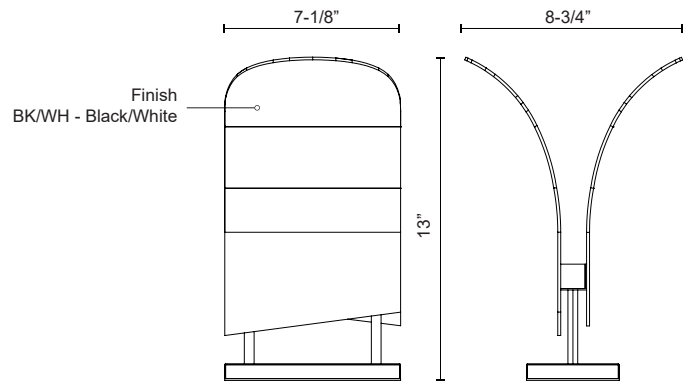
The Sander collection aims to honor the simple juxtaposition of shape and color in a space. With two asymmetric shades adorned in black and white duo-toned finishes, this collection creates modern balance. Providing ample ambient down light to a space, the Sander doubles as a sculptural art piece.

SPECIFICATION DETAILS

Fixture Dimensions	L7-1/8" x W8-3/4" x H13"
Light Source	AC LED Module
Wattage	9W
Total Lumens	640lm
Delivered Lumens	420lm*
Voltage	120V
Color Temperature	3000K
CRI (Ra)	90CRI
Optional Color Temps	2700K - 5000K Available, Minimum Order Quantities Apply
LED Rated Life	50,000 hours
Dimming	In-Line On/Off
Wire Length	72" Max
Location	Dry
Paint Finish	BK02; WH02;

* For custom options, consult factory for details.

* For warranty information, please visit www.kuzcolighting.com/warranty



KUZCO

CANADA: 19054 28TH AVENUE - SURREY, BC V3Z 6M3

USA: 3035 E. LONE MOUNTAIN ROAD - LAS VEGAS, NV 89081

WWW.KUZCOLIGHTING.COM

© 2022 KUZCO LIGHTING. ALL RIGHTS RESERVED.

COMMENT

