

MITER TL25517

LAMPS

PROJECT



SPECIFICATION DETAILS

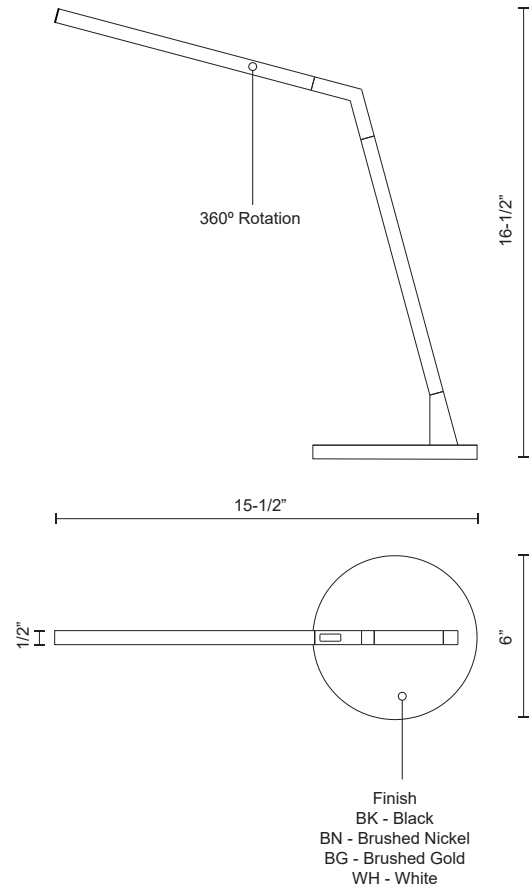
Fixture Dimensions	L15-1/2" x W6" x H16-1/2"
Light Source	LED with DC Driver
Wattage	14W
Total Lumens	1080lm
Delivered Lumens	BK-296lm*; BN-522lm; WH-532lm;
Voltage	120V
Color Temperature	3000K
CRI (Ra)	90CRI
Optional Color Temps	2700K - 5000K Available, Minimum Order Quantities Apply
LED Rated Life	50,000 hours
Dimming	100% - 10%, Touch dimmer
Diffuser Details	White Acrylic Diffuser
Location	Dry
Paint Finish	BG01; BK02; BN02; WH02;

* For custom options, consult factory for details.

* For warranty information, please visit www.kuzcolighting.com/warranty

DESCRIPTION

A thin angular line forms the gesture synonymous with the MITER floor and table lamp series. Employed within the top arm of the diminutive square profile is a linear LED source capped by an inset opal diffuser providing uniform soft illumination. The precisely machined aluminum body conceals further functionality with simple power connectors to enable easy assembly and added rotational adjustment. A handsome circular dimmer adorns the structure. Available in multiple finishes.



KUZCO

CANADA: 19054 28TH AVENUE - SURREY, BC V3Z 6M3

USA: 3035 E. LONE MOUNTAIN ROAD - LAS VEGAS, NV 89081

WWW.KUZCOLIGHTING.COM

© 2019 KUZCO LIGHTING. ALL RIGHTS RESERVED.

COMMENT

