

# alora mood

P. 1.855.855.8926

CANADA: 19054 28TH Avenue Surrey - BC V3Z 6M3

USA: 3035 E. Lone Mountain Rd - Las Vegas, NV, 89081

## FRANCESCA SF517220

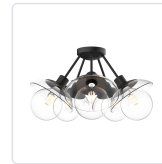
|                    |                     |
|--------------------|---------------------|
| FIXTURE DIMENSIONS | D19-3/4" x H10-3/8" |
| LAMP TYPE          | E26                 |
| MAX WATTAGE        | 60W                 |
| BULB QTY           | 5                   |
| BULBS INCLUDED     | No                  |
| VOLTAGE            | 120V                |
| GLASS DETAILS      | Clear Glass         |
| MATERIAL           | Glass; Steel;       |
| LOCATION           | Dry                 |
| CANOPY DIMENSIONS  | D4-3/4" x H1-3/4"   |
| PAINT FINISH       | AG01; MB01;         |

[ D - Diameter, L - Length, W - Width, H - Height, E - Extension ]

### AVAILABLE FINISHES:

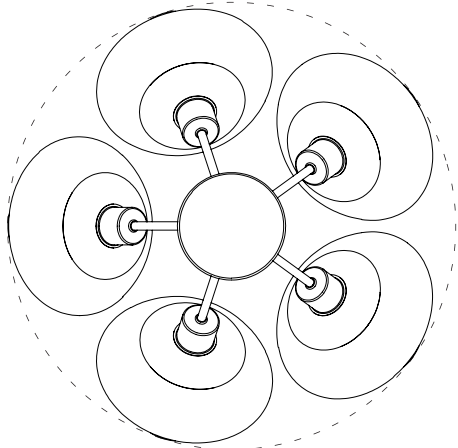
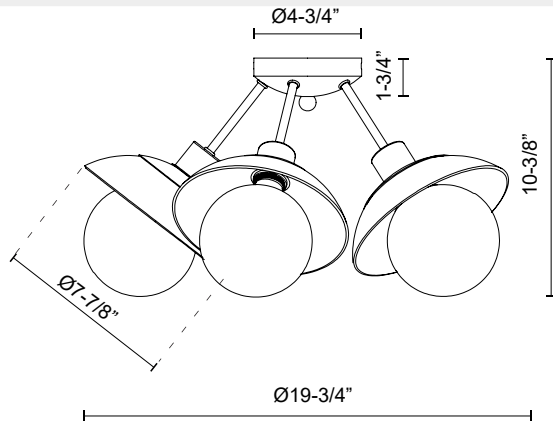


SF517220AGCL  
Aged Gold/Clear  
Glass



SF517220MBCL  
Clear Glass/Matte  
Black

\*For complete warranty terms, please visit: [www.aloralighting.com/warranty](http://www.aloralighting.com/warranty)



WWW.ALORAMOOD.COM

© 2022 KUZCO LIGHTING. ALL RIGHTS RESERVED.

