

ARCADIA PD59708

PENDANTS

PROJECT



PD59708-BK/OP
Black/Opal Glass



PD59708-BK/SM
Black/Smoked



PD59708-BG/OP
Brushed Gold/Opal
Glass

SPECIFICATION DETAILS

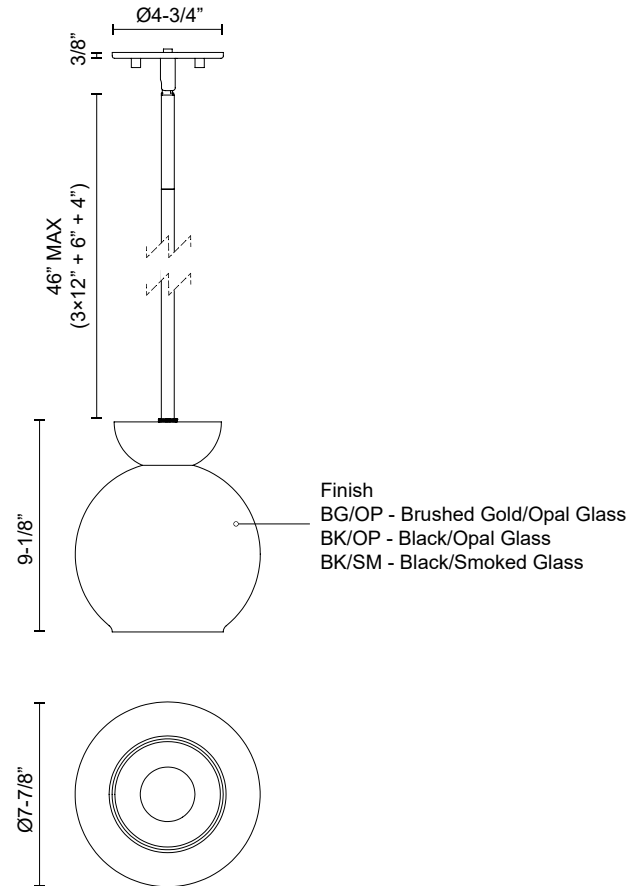
Fixture Dimensions	D7-7/8" x H9-1/8"
Lamp Type	Incandescent, A19, Medium Base
Wattage	1 x 60W
Voltage	120V
Glass Details	Opal Glass or Smoked Glass
Adjustable	Yes
Rod Length	46" Max (3x12" + 1x6" + 1x4")
Wire Length	120"
Minimum Hang Height	16"
Sloped Ceiling Adaptable	Yes, Up to 45 Degrees
Location	Dry
Bulbs Included	No
Illumination Direction	Down
Canopy Dimensions	D4-3/4" x H3/8"
Paint Finish	BG01; BK01;

* For custom options, consult factory for details.

* For warranty information, please visit www.kuzcolighting.com/warranty

DESCRIPTION

The Arcadia Collection offers a trendy lighting design without all the frills. Depending on what style you're looking to achieve, the elegant sphere shades are available in soft, pleasant opal, or dramatic smoked glass. Each piece of the Arcadia family is available in a Powder-Coated Black or Brushed Gold finish



KUZCO

CANADA: 19054 28TH AVENUE - SURREY, BC V3Z 6M3

USA: 3035 E. LONE MOUNTAIN ROAD - LAS VEGAS, NV 89081

WWW.KUZCOLIGHTING.COM

© 2023 KUZCO LIGHTING. ALL RIGHTS RESERVED.

COMMENT

