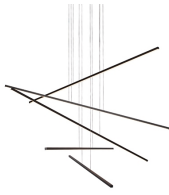


# VEGA MINOR MP18205

## PENDANTS

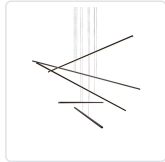
PROJECT



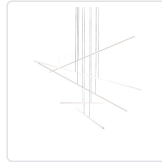
MP18205-BG  
Brushed Gold



MP18205-BN  
Brushed Nickel



MP18205-BK  
Black



MP18205-WH  
White

### SPECIFICATION DETAILS

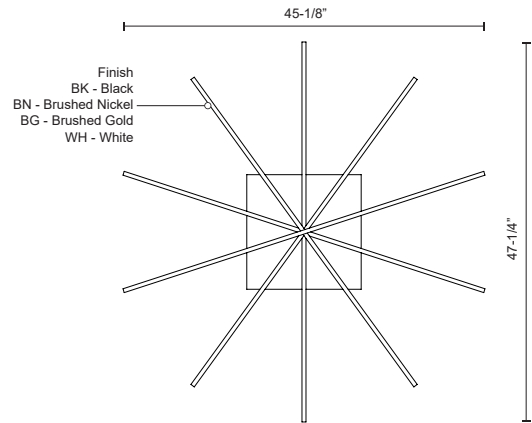
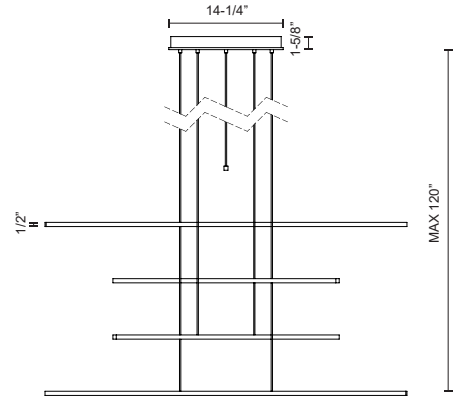
<b>Fixture Dimensions</b>	L45-1/8" x W47-1/4" x H120"
<b>Light Source</b>	LED with DC Driver
<b>Wattage</b>	115W
<b>Total Lumens</b>	10395lm
<b>Delivered Lumens</b>	BK-3448lm; BN-5795lm; WH-6861lm;
<b>Voltage</b>	120V
<b>Color Temperature</b>	3000K
<b>CRI (Ra)</b>	90CRI
<b>Optional Color Temps</b>	2700K - 5000K Available, Minimum Order Quantities Apply
<b>LED Rated Life</b>	50,000 hours
<b>Dimming</b>	100% - 10%, TRIAC or ELV Dimmer (Not Included)
<b>Diffuser Details</b>	White Acrylic Diffuser
<b>Adjustable</b>	Yes
<b>Wire Length</b>	120" Max
<b>Wire Type</b>	BG, BN - Clear Coaxial Wire; BK - Black Coaxial Wire; WH - White Coaxial Wire;
<b>Minimum Hang Height</b>	6"
<b>Sloped Ceiling Adaptable</b>	Yes
<b>Location</b>	Dry
<b>Canopy Dimensions</b>	L14-1/4" x W14-1/4" x H1-5/8"
<b>Paint Finish</b>	BG01; BK02; BN02; WH02;

\* For custom options, consult factory for details.

\* For warranty information, please visit [www.kuzcolighting.com/warranty](http://www.kuzcolighting.com/warranty)

### DESCRIPTION

Following the success of the Vega family is the next evolution of the line, Vega Minor. The diminutive square linear profile envelops and radiates a soft uniform light in a diverse spectrum of lengths and unique configurations. Refined details with crafted finishes augment the reductive silhouette of the expanded collection.



# KUZCO

CANADA: 19054 28TH AVENUE - SURREY, BC V3Z 6M3

USA: 3035 E. LONE MOUNTAIN ROAD - LAS VEGAS, NV 89081

[WWW.KUZCOLIGHTING.COM](http://WWW.KUZCOLIGHTING.COM)

© 2019 KUZCO LIGHTING. ALL RIGHTS RESERVED.

### COMMENT

