

**SOLO**  
**FM9405**  
FLUSH MOUNT

PROJECT



FM9405-WH  
White



FM9405-BK  
Black

**SPECIFICATION DETAILS**

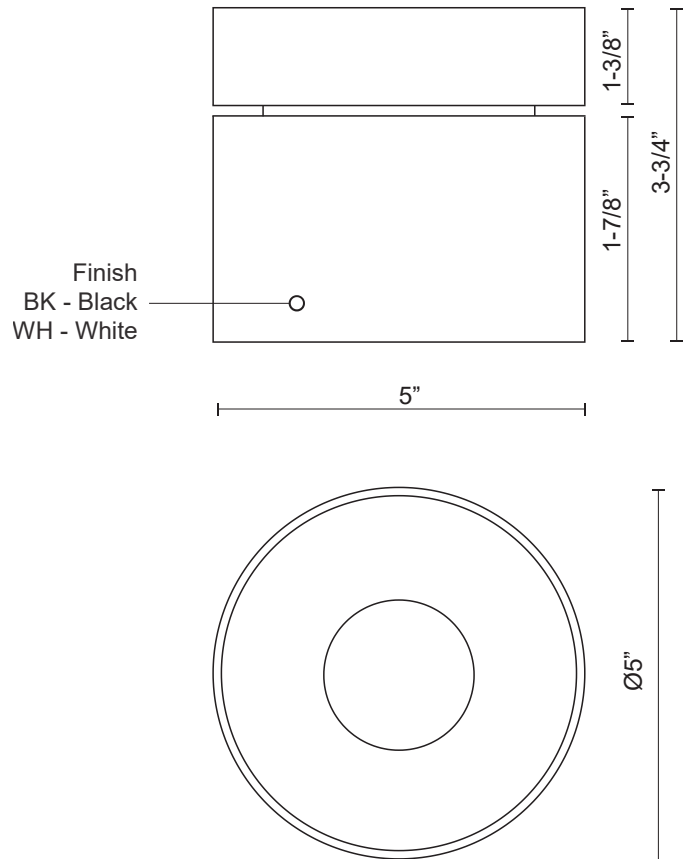
<b>Fixture Dimensions</b>	D5" x H3-3/4"
<b>Light Source</b>	AC LED Module
<b>Wattage</b>	20W
<b>Total Lumens</b>	1500lm
<b>Delivered Lumens</b>	1355lm
<b>Voltage</b>	120V
<b>Color Temperature</b>	3000K
<b>CRI (Ra)</b>	90CRI
<b>Optional Color Temps</b>	2700K - 5000K Available, Minimum Order Quantities Apply
<b>LED Rated Life</b>	50,000 hours
<b>Dimming</b>	100% - 10%, ELV Dimmer (Not Included)
<b>Diffuser Details</b>	Frosted acrylic diffuser
<b>Location</b>	Dry
<b>Mounting Style</b>	All Orientation; Ceiling and Wall;
<b>CEC Title 24 JA8</b>	Yes, JA8-2022
<b>Canopy Dimensions</b>	D5" x H1-3/8"
<b>Paint Finish</b>	BK02; WH02;

\* For custom options, consult factory for details.

\* For warranty information, please visit [www.kuzcolighting.com/warranty](http://www.kuzcolighting.com/warranty)

**DESCRIPTION**

LED flush mount made from heavy gauge cast aluminum painted white, round cylinder shaped. Adjustable from mounting position 90 degrees with a 360 degrees radius. Perfect for commercial use to control the exact point to direct the light to weather it's against a wall, product display or many other applications. Equipped with our powerful 120V AC LED technology. May be wall or ceiling mounted.



**KUZCO**

CANADA: 19054 28TH AVENUE - SURREY, BC V3Z 6M3  
USA: 3035 E. LONE MOUNTAIN ROAD - LAS VEGAS, NV 89081

[WWW.KUZCOLIGHTING.COM](http://WWW.KUZCOLIGHTING.COM)

© 2016 KUZCO LIGHTING. ALL RIGHTS RESERVED.

**COMMENT**

