

# Ceiling LED Flush Mount

# FM7916

INSTALLATION SHEET

## START FROM HERE

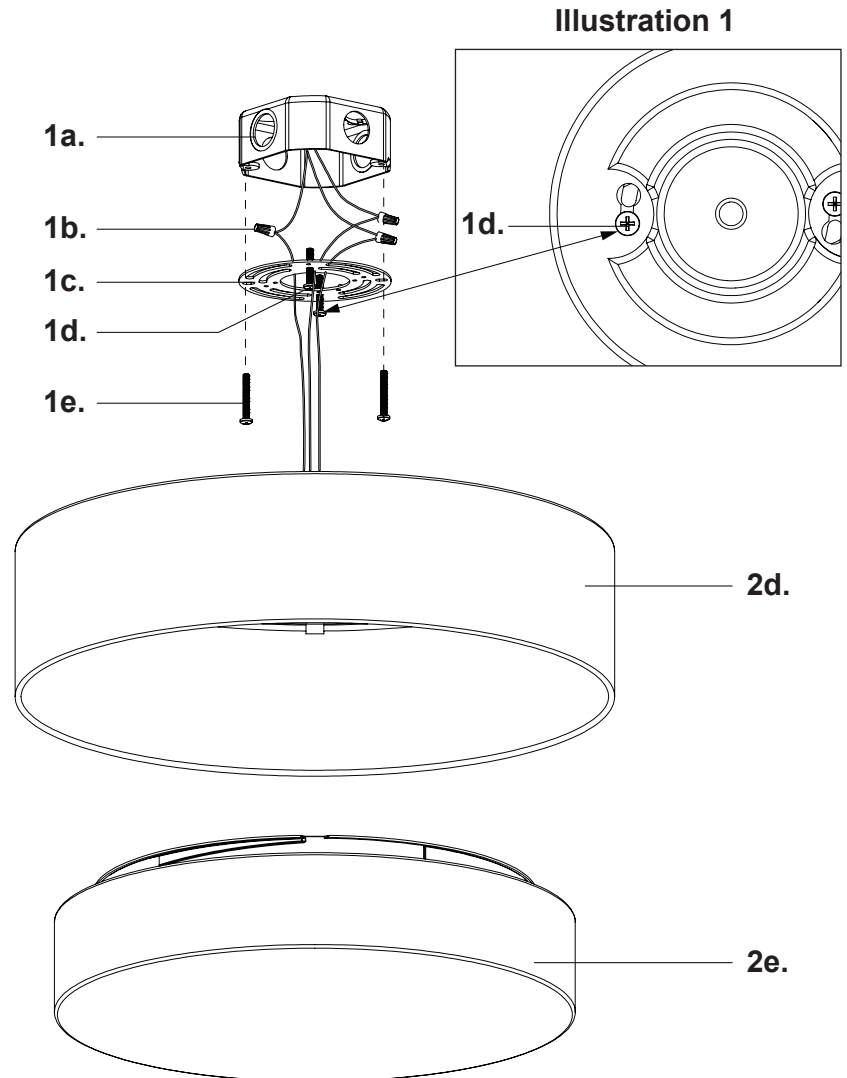
- Make sure **POWER** is **COMPLETELY OFF** at the fuse box
- Have your fixture installed by a qualified licensed electrician
- Prepare everything in a clear area
- Wear gloves at all times during this installation
- Read instructions carefully before you start assembly
- Keep this installation sheet for future reference

**Technical Support:** 1-855-855-8926

### Please Note:

- This Kuzco LED fixture comes with pre-wired LED module(s)
- Unless instructed, Do Not touch any part of the LED module(s) as any unnecessary contact with the module could cause permanent damage
- For dimming, an ELV (Electronic Low Voltage) type of dimmer is required

- 1.** Remove fixture from its original package
- 2.** Attach mounting plate (1c) to electrical junction box (1a) using screws provided (1e) in hardware package
- 3.** Make proper electrical connections (black to hot "L", white to neutral "N", ground to "GND") with wire nuts (1b)
- 4.** Slide mounting screws (1d) through key hole on back of fixture (2d), slightly rotate fixture (2d) clock-wise, and then secure mounting screws (1d) with screw driver (See Illustration 1)
- 5.** Install the shade cover (2e) by placing it onto the metal pan on the underside of the fixture (2d) and turn clockwise until secure (do not over tighten)



# KUZCO

19054 28th Avenue Surrey, BC Canada V3Z 6M3  
T: 604 538 7162 TF: 1-855 85 KUZCO F: 604 538 7196  
W: kuzcolighting.com  
20201208