

**CLOVER**  
**FM54809**  
 FLUSH MOUNT

PROJECT



FM54809-BG/OP  
 Brushed Gold/Opal  
 Glass



FM54809-BK/OP  
 Black/Opal Glass

**SPECIFICATION DETAILS**

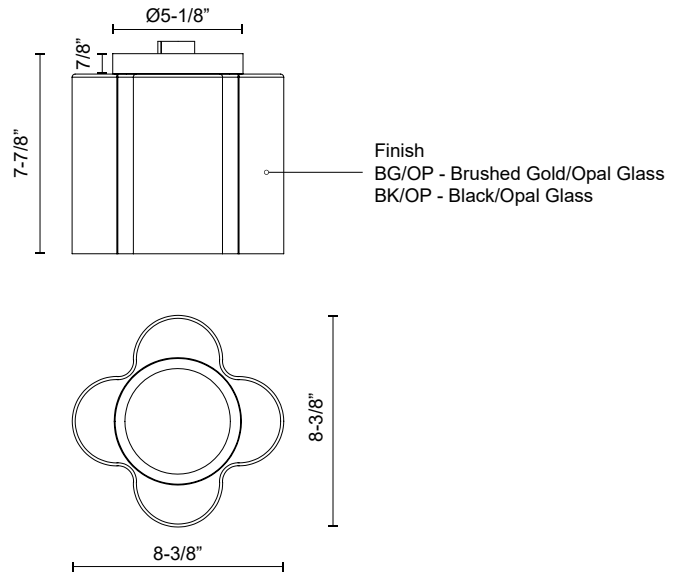
<b>Fixture Dimensions</b>	D8-3/8" x H7-7/8"
<b>Light Source</b>	DC LED WITH DRIVER
<b>Wattage</b>	13W
<b>Total Lumens</b>	1360lm
<b>Delivered Lumens</b>	998lm
<b>Voltage</b>	120V
<b>Color Temperature</b>	3000K
<b>CRI (Ra)</b>	90CRI
<b>Optional Color Temps</b>	2700K - 5000K Available, Minimum Order Quantities Apply
<b>LED Rated Life</b>	50,000 hours
<b>Dimming</b>	100% - 10%, TRIAC or ELV Dimmer (Not Included)
<b>Glass Details</b>	Opal Glass
<b>Location</b>	Damp
<b>Illumination Direction</b>	Down
<b>CEC Title 24 JA8</b>	Yes, JA8-2022
<b>Canopy Dimensions</b>	D5-1/8" x H7/8"
<b>Paint Finish</b>	BG01; BK02;

\* For custom options, consult factory for details.

\* For warranty information, please visit [www.kuzcolighting.com/warranty](http://www.kuzcolighting.com/warranty)

**DESCRIPTION**

The Clover Collection was designed to stand out from the crowd. The unique curvature of the clover-shaped shade adds personality and movement to a room without taking up a ton of space. These captivating pieces can be showcased on their own or used to make a powerful statement piece.



**KUZCO**

CANADA: 19054 28TH AVENUE - SURREY, BC V3Z 6M3  
 USA: 3035 E. LONE MOUNTAIN ROAD - LAS VEGAS, NV 89081

[WWW.KUZCOLIGHTING.COM](http://WWW.KUZCOLIGHTING.COM)

© 2023 KUZCO LIGHTING. ALL RIGHTS RESERVED.

**COMMENT**

