

# LED Exterior Wall Sconce

# EW48003

INSTALLATION SHEET

## START FROM HERE

- Make sure **POWER** is **COMPLETELY OFF** at the fuse box
- Have your fixture installed by a qualified licensed electrician
- Prepare everything in a clear area
- Wear gloves at all times during this installation
- Read instructions carefully before you start assembly
- Keep this installation sheet for future reference

**Technical Support:** 1-855-855-8926

### Please Note:

- This Kuzco LED fixture comes with pre-wired LED module(s)
- Unless instructed, Do Not touch any part of the LED module(s) as any unnecessary contact with the module could cause permanent damage
- For dimming, an ELV (Electronic Low Voltage) or TRIAC type of dimmer is required
- 120-277V input

1. Remove fixture from its original package
2. Separate mounting plate (1c) from canopy (2a/3a) by removing canopy screws (2b)
3. Make proper electrical connections (black to hot "L", white to neutral "N", ground to "GND") with wire nuts (1b) provided in hardware package
4. Attach mounting plate (1c) to electrical junction box (1a) using junction box screws provided (1e) in hardware package
5. Attach canopy (2a/3a) to mounting plate (1c) with canopy screws (2b)
6. Determine angle of covers (3a) and secure with screws (3b)
7. To prevent moisture from entering the electrical junction box (1a) and causing a short, seal around the top and side perimeter between the fixture and the wall surface with weather resistant caulking (Illustration 1). The space at the bottom should be left un-caulked to prevent moisture build up

Illustration 1

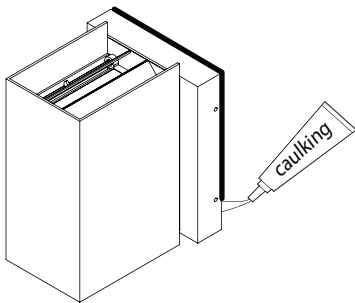
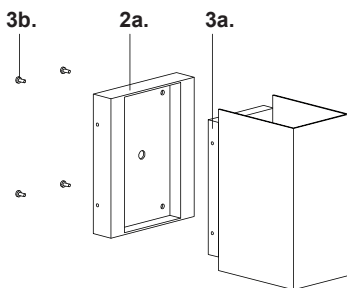
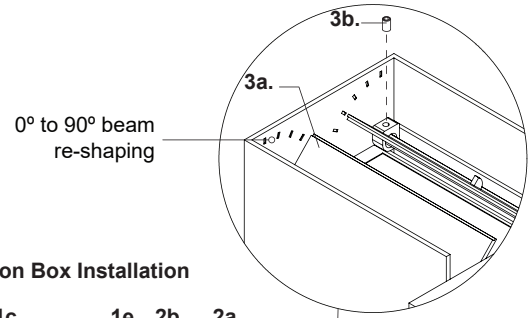


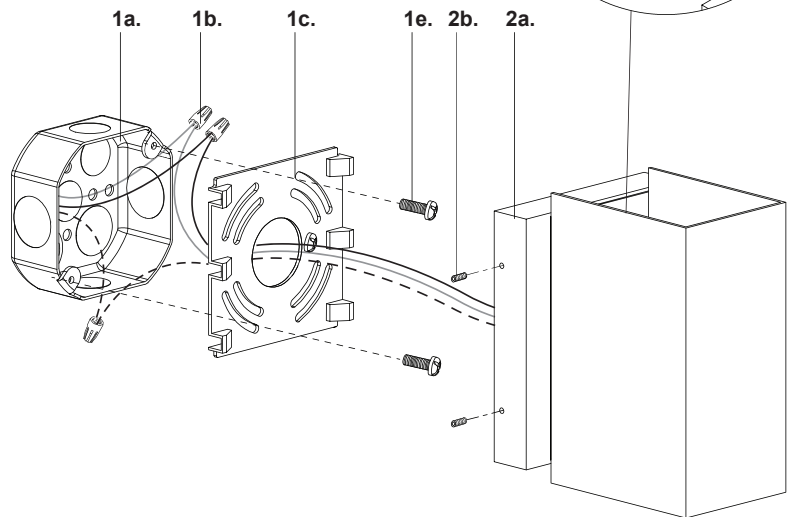
Illustration 2: Removing Octagon Box Canopy



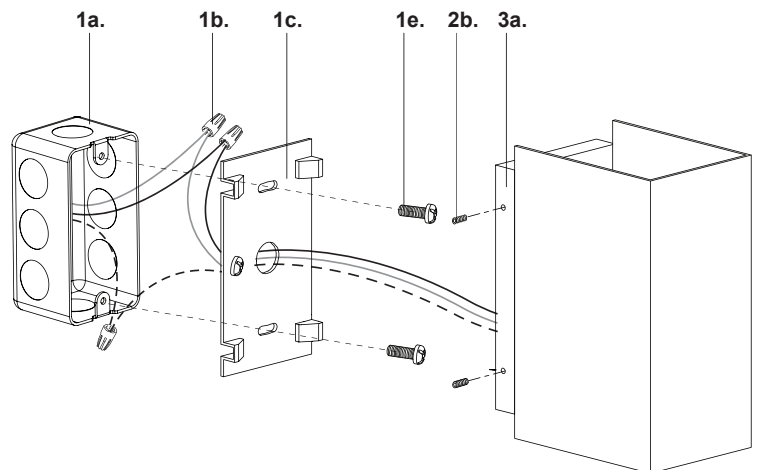
\*For Single Gang Box Installation, the octagon junction box canopy (2a) can be detached from single gang box canopy (3a) by removing the screws (3b).



Octagon Box Installation



Single Gang Box Installation



# KUZCO

19054 28th Avenue Surrey, BC Canada V3Z 6M3  
 T: 604 538 7162 TF: 1-855 85 KUZCO F: 604 538 7196  
 W: kuzcolighting.com  
 20230321